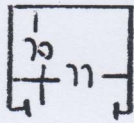
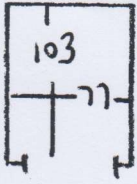


2 x cupboards



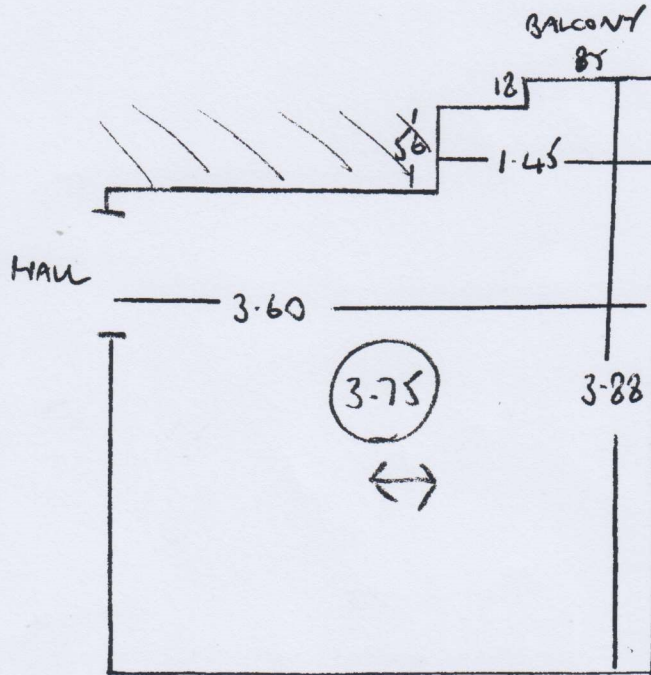
F28523

WALLACE

12 ROSEBANK

HOLYBROT RD SW6 6LG

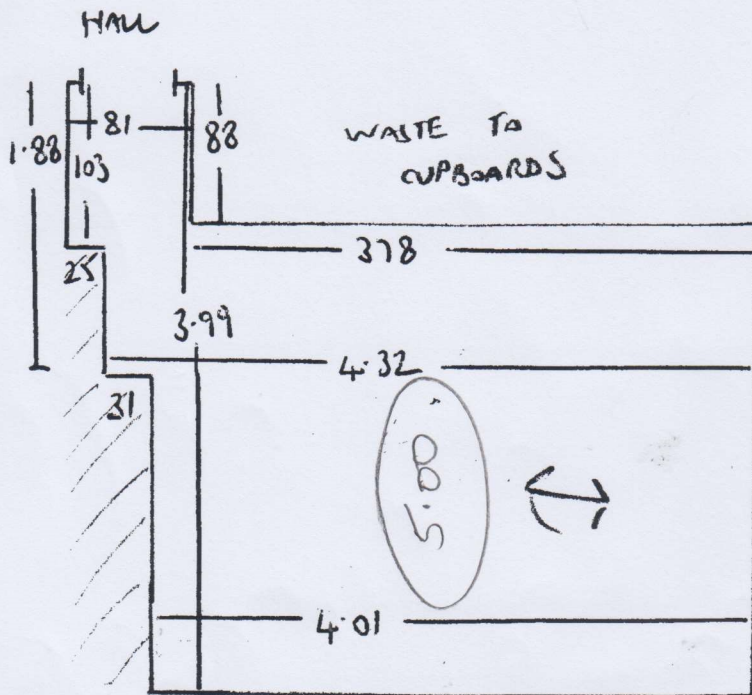
CAPE TOWN
A10023



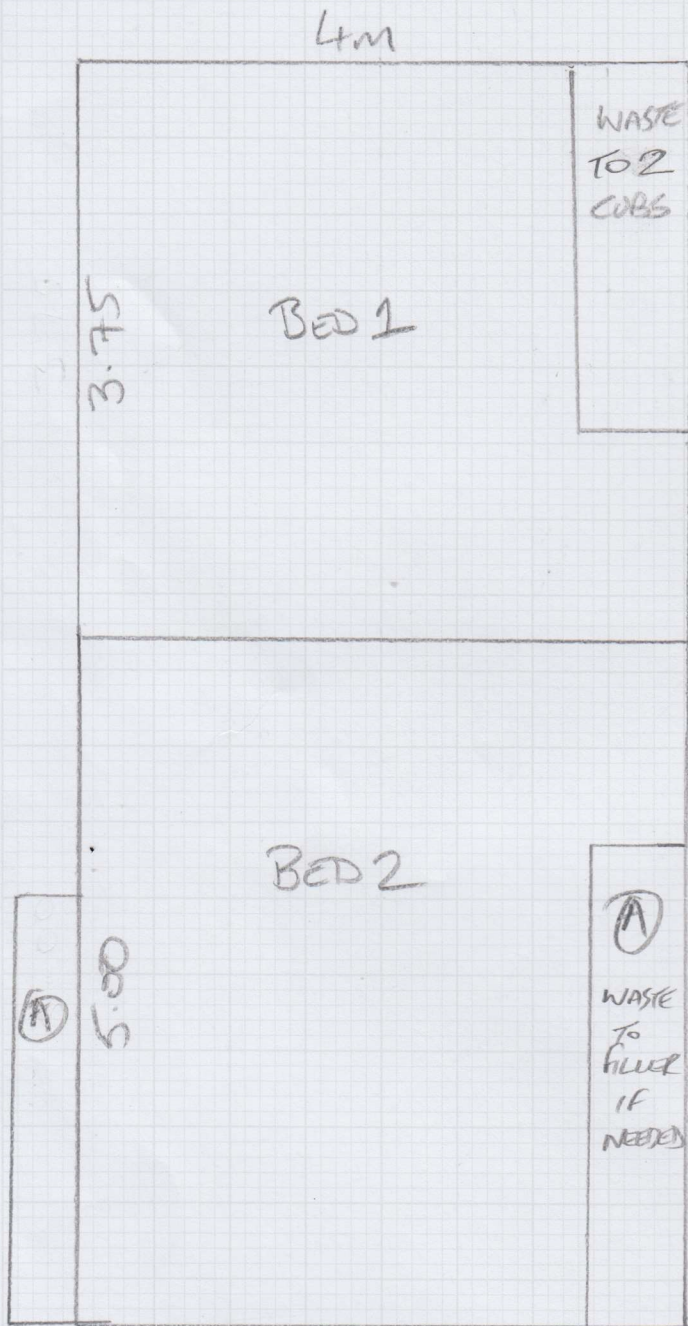
3.75 x 4.00

~~4.15 x 5.00~~

5.00 x 4mtr



Job No: F28523
Name: WALLACE
Address: 12 ROSEBANK
HOLYPORT RD SW66LG
Tel: _____
Sheet: _____ of: _____



CAPE TOWN
A 10023

3.75 x 5mtr
5.00

8.75