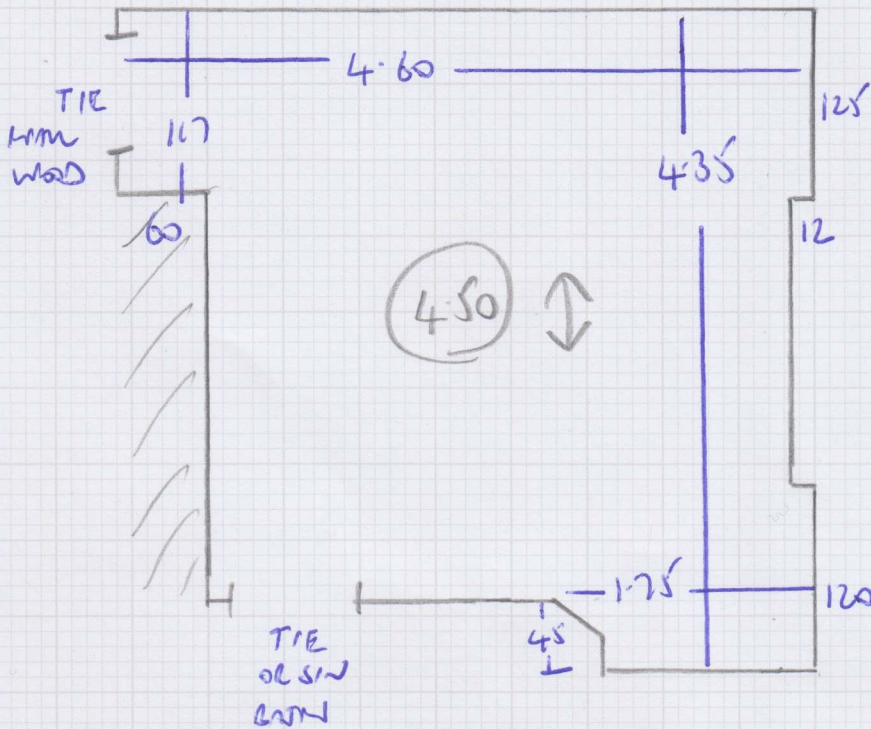


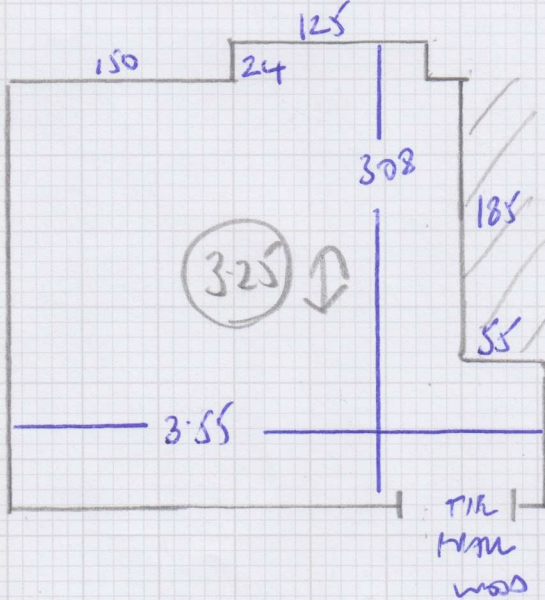
Job No: F28556
 Name: ARTHURS
 Address: 1 RICHMOND MANSONS
 SWS 9HL
 Tel: _____
 Sheet: _____ of: _____

MASTER BEDROOM



LULWORTH
LW-36

2ND BEDROOM



CARESS ELITE
PENTER