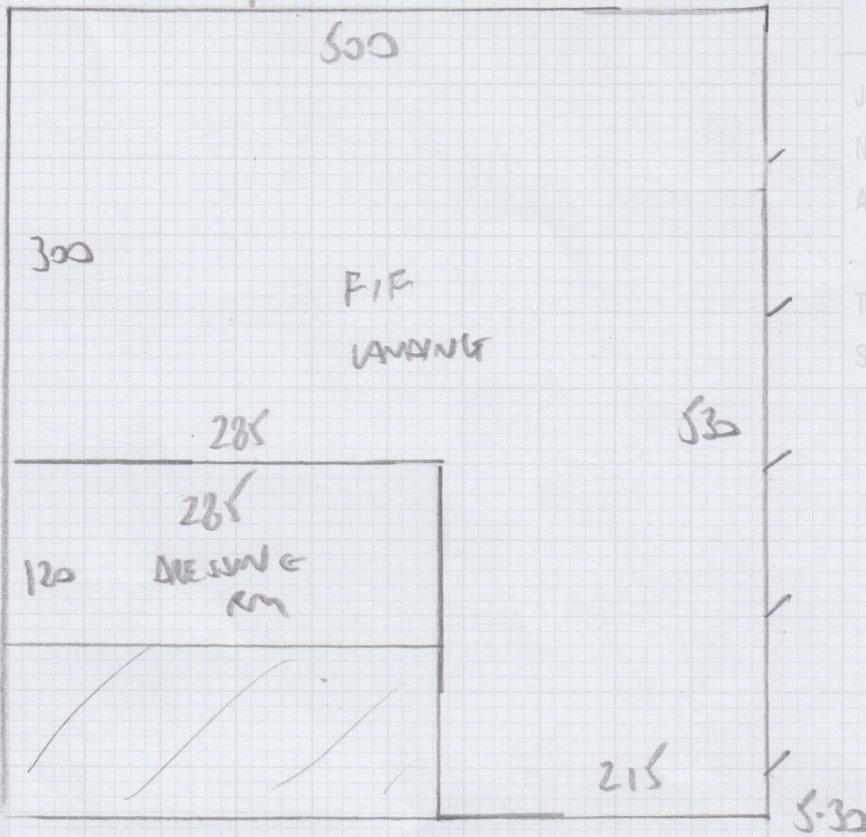
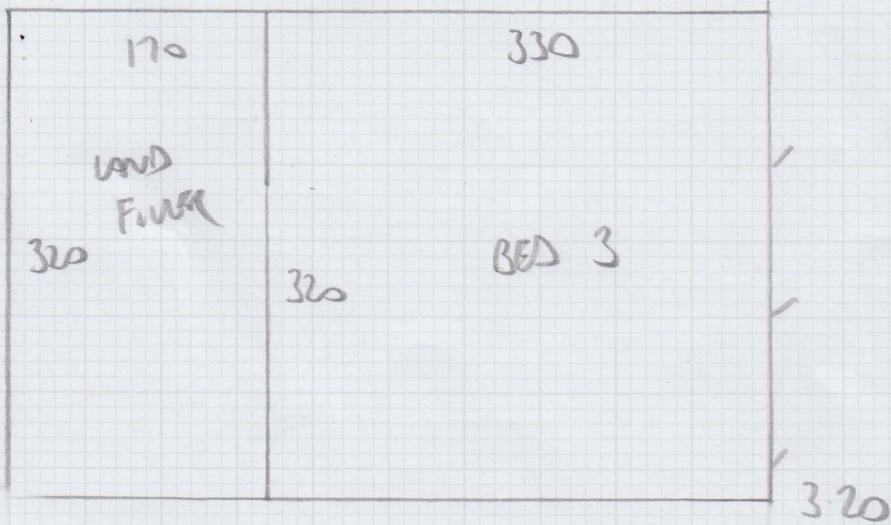


FIF

Job No: F28572
Name: BLANK
Address: HEATH HALL
POSSMOUTH RD SWIS 3RD
Tel: _____
Sheet: _____ of: _____



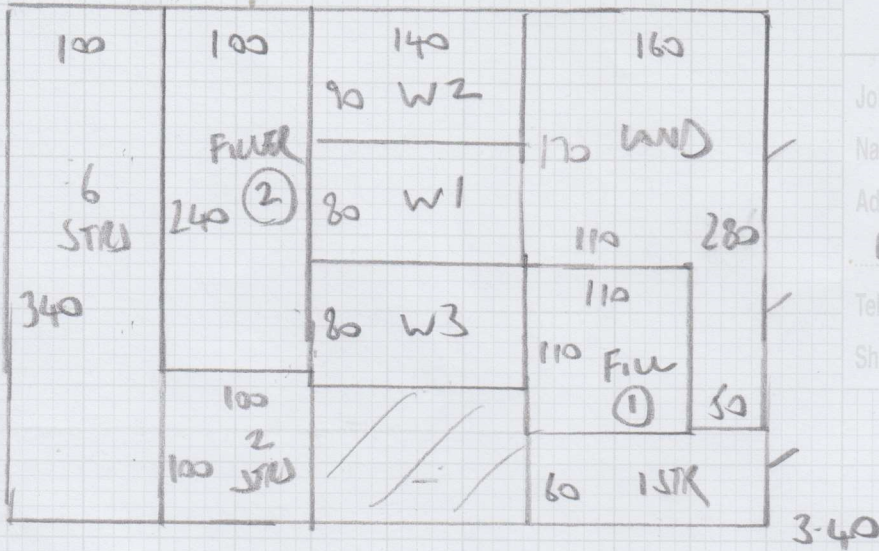
SILKEN VELVET CHIC
TURTLE DOVE



6-20 - MASTER BED
 3-35 - BED 2
 5-30 } CIP
 3-20 }
 18-05 m x 5.00m = 90.25 m²

1 of 5

Job No: F28572
 Name: BLANK
 Address: HEATH HOUSE
 PORTSMOUTH RD SWIS3TD
 Tel: _____
 Sheet: _____ of: _____



LANO ZEO 0221

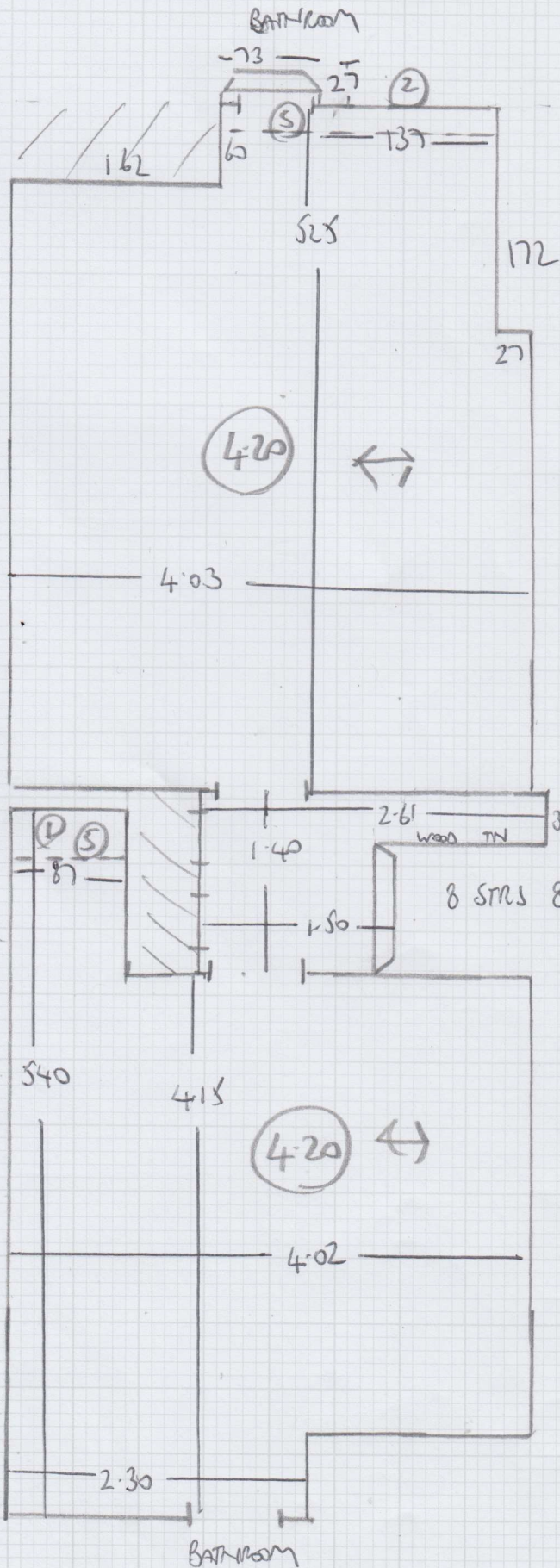
4.20 - BED
 4.20 - BED
 3.40 - CIP

 11.80 x 5.00m = 59m²

2 of 5

TOP FLOOR

Job No: F28572
 Name: BLANK
 Address: HEATHY HOUSE
 PORTSMOUTH RD SWIS STD
 Tel: _____
 Sheet: _____ of: _____



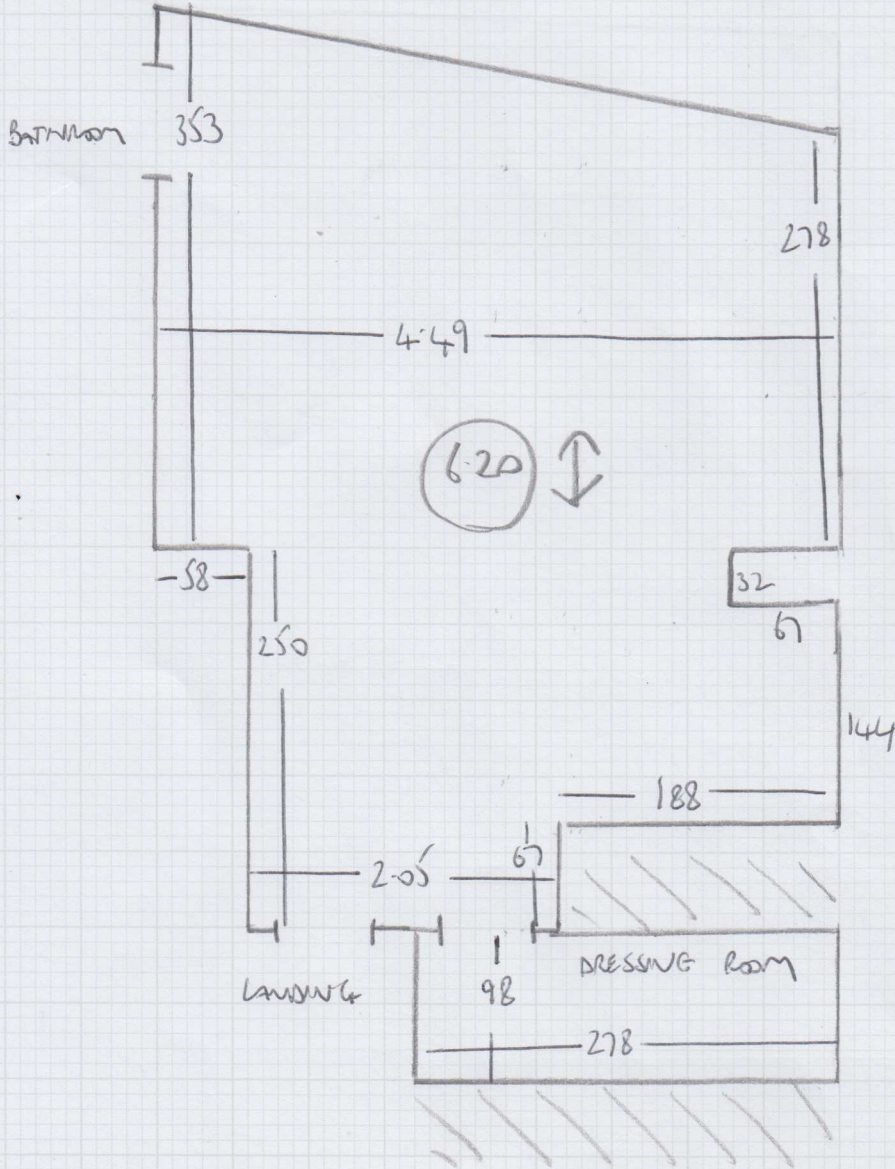
- 1 W 95x67
 - 2 W 116x74
 - 3 W 82x63
 - 1 STR 81x48
- FIRST FLOOR

30/5



Job No: F28572
Name: BLANK
Address: HEATH HOUSE
PODSMOUTH RD SWIS 3TD
Tel: _____
Sheet: _____ of: _____

MASTER BEDROOM



4 OF 5

FIRST FLOOR

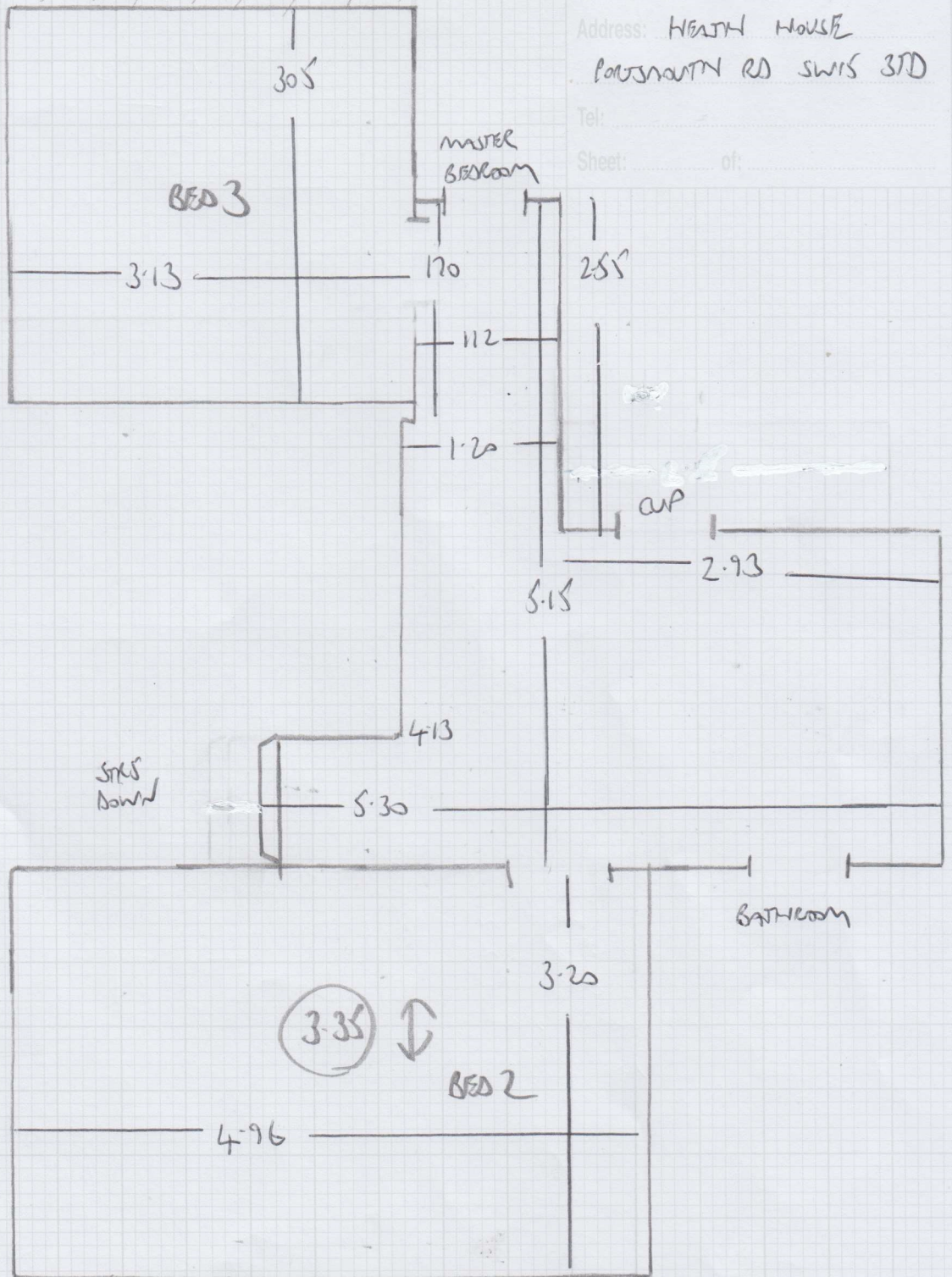
Job No: F28572

Name: BLANK

Address: HEATH HOUSE
POWERSHOTT RD SWIS 37D

Tel: _____

Sheet: _____ of: _____



5 of 5