



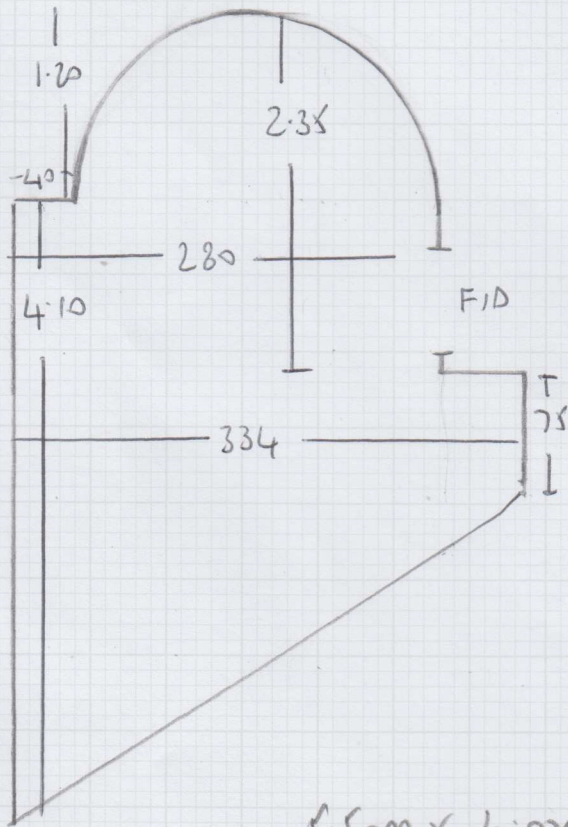
Job No: F28583

Name: SHILLITO

Address: 19 GRANDE ROAD
SW6 7DY

Tel: _____

Sheet: _____ of: _____



LONG ISLAND
MELVILLE

$$5.50m \times 4.00m = 22m^2$$

1 OF 1