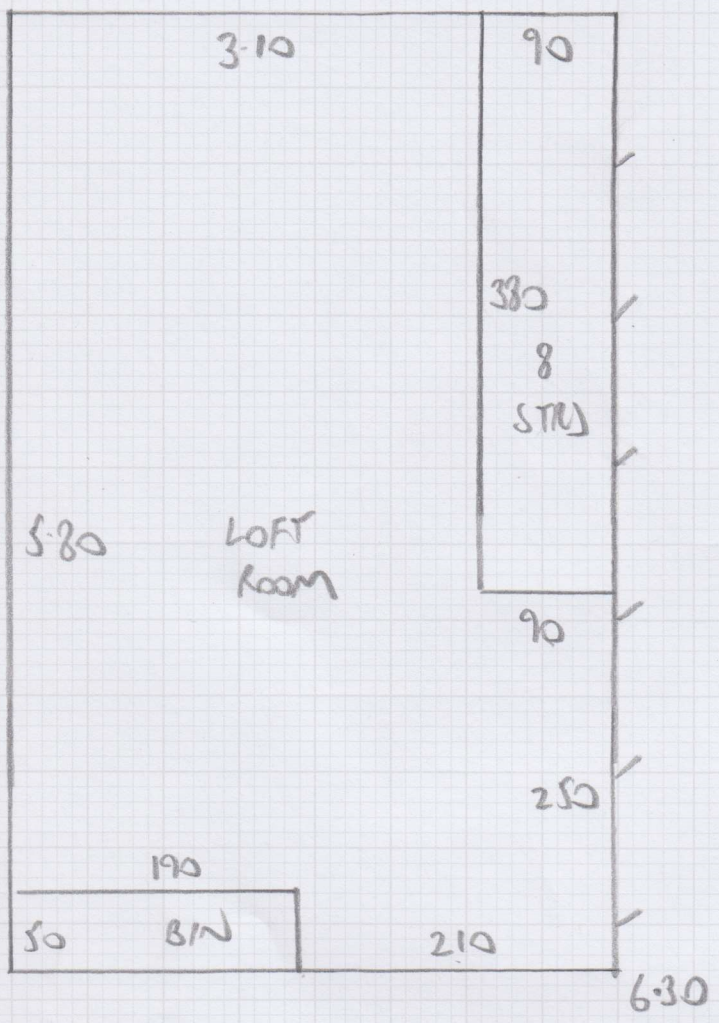


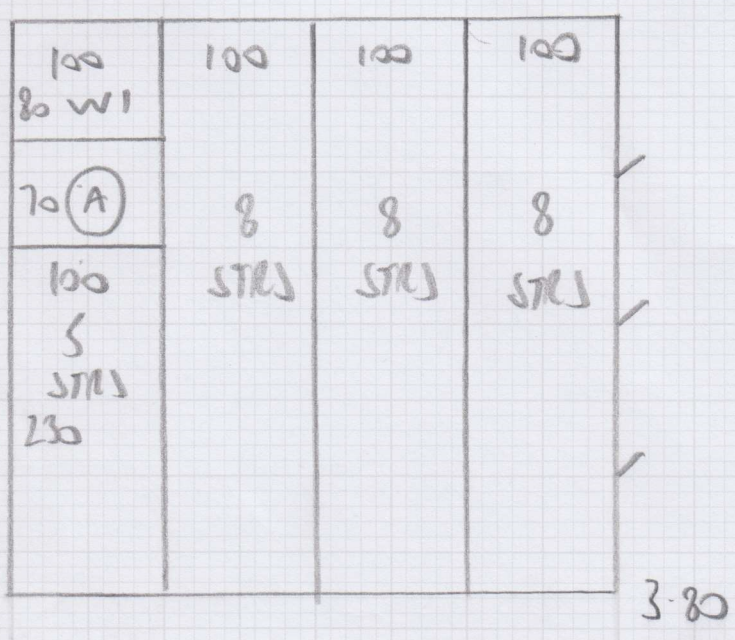
Job No: F28651
 Name: OB RESIDENTIAL
 Address: 102B GOSBELTON RD
 SW12 8LQ
 Tel: _____
 Sheet: _____ of: _____



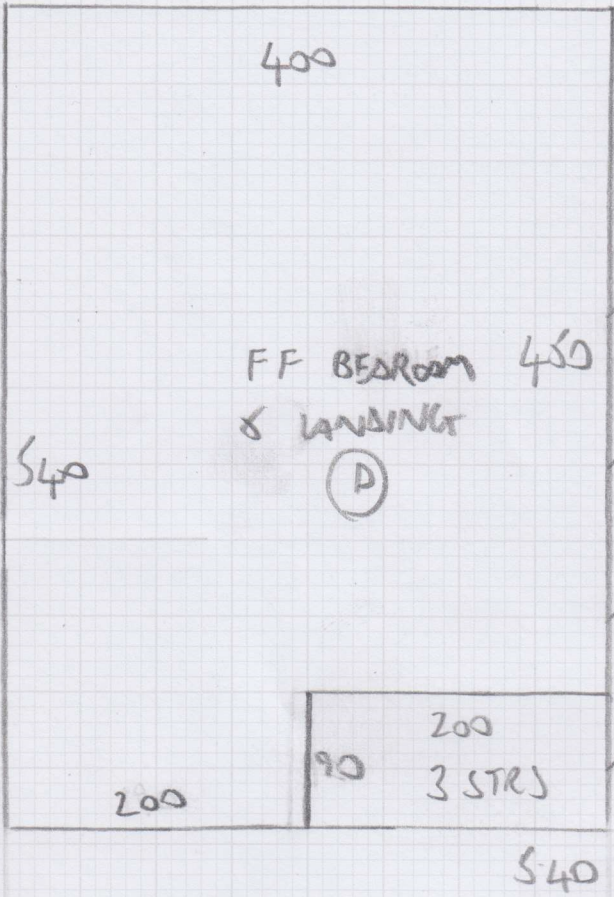
SUEDE SUD-631

5.30 - LIVING ROOM
 5.40
 7.20
 6.30 } CIP
 3.80

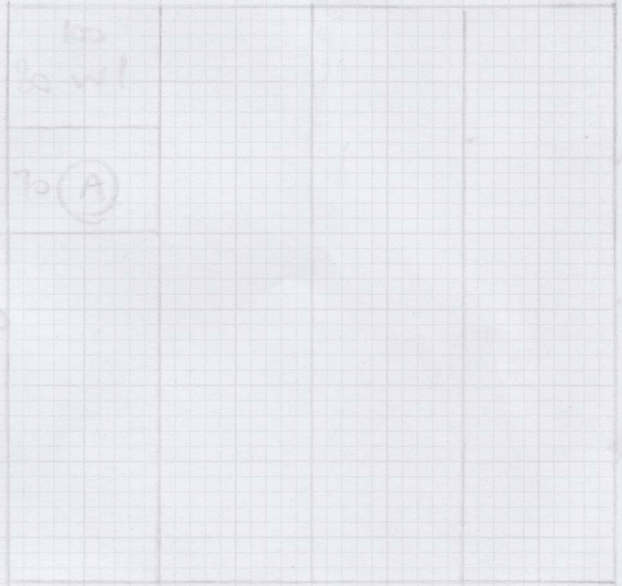
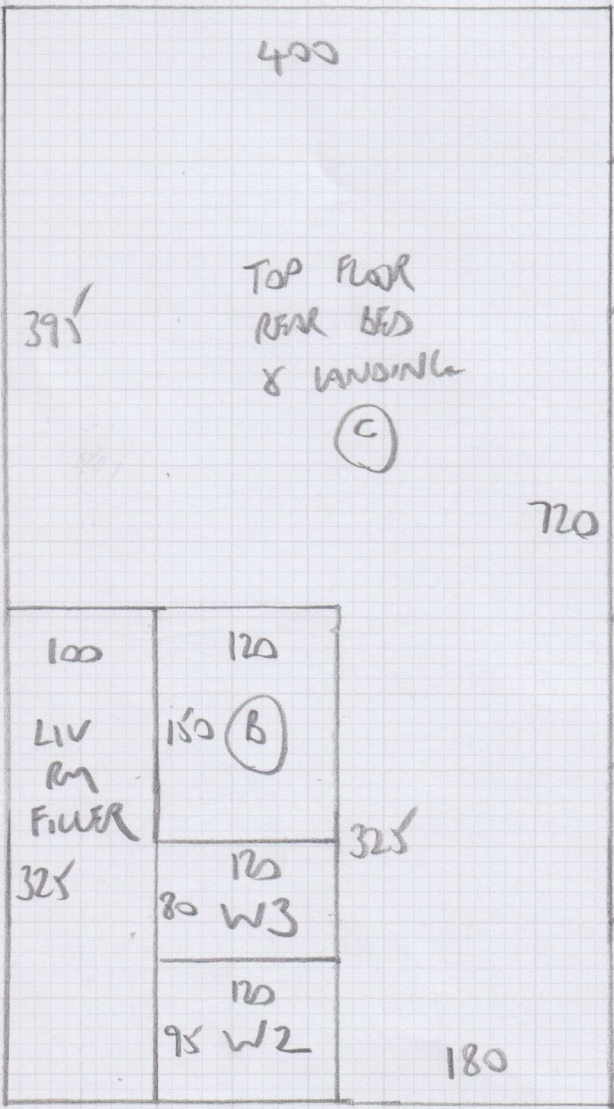
$$28.00 \times 4.00 = 112 M^2$$



Job No: F28651
 Name: OB RESIDENTIAL
 Address: 102B GOSWELTON RD
 SW12 8LQ
 Tel: _____
 Sheet: _____ of: _____

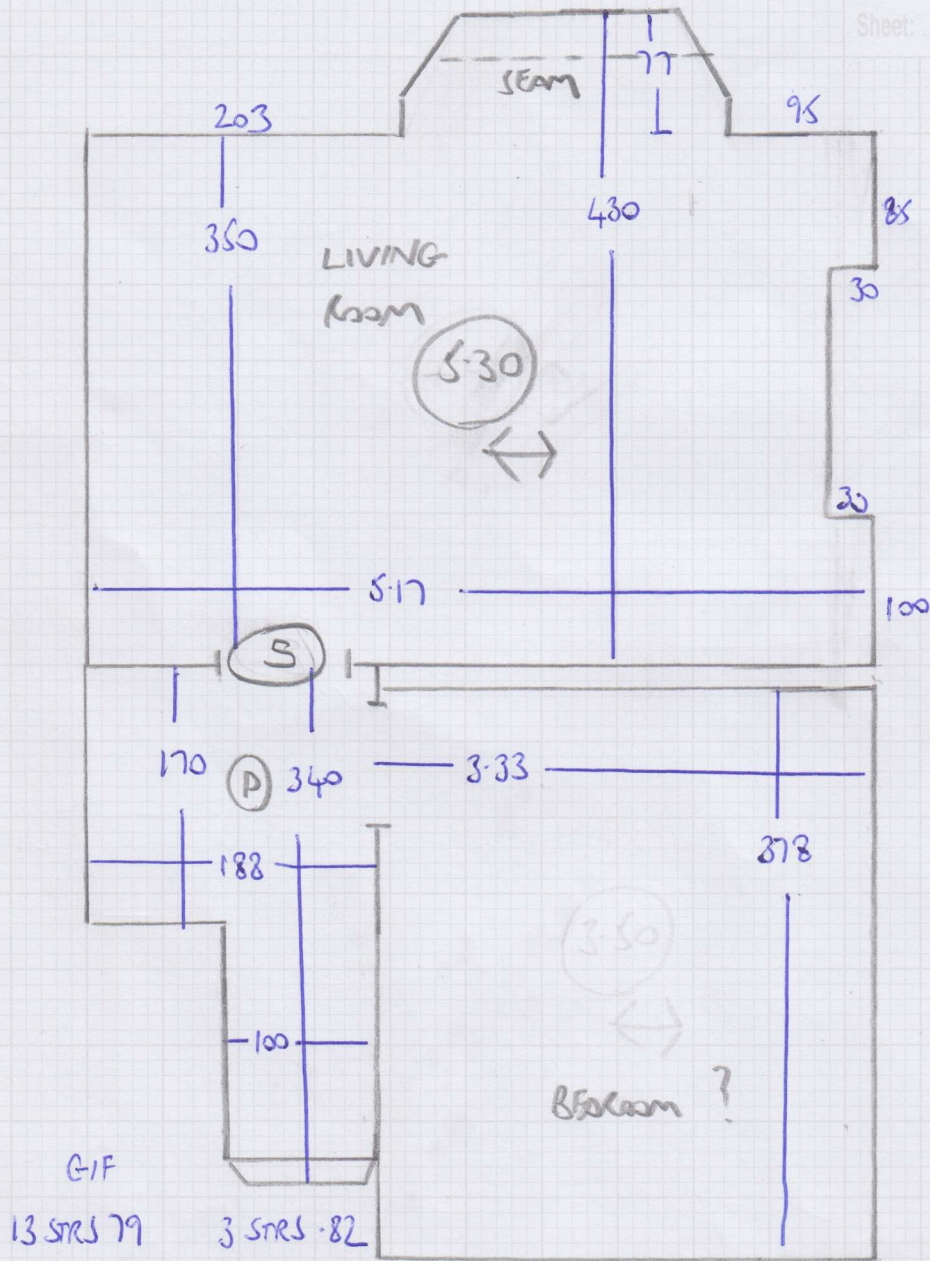


SUEDE SUD-631



Job No: P28651
 Name: OB RESIDENTIAL
 Address: 102B GOSBERTON ROAD
 SW12 8LQ
 Tel: _____
 Sheet: _____ of: _____

FIRST FLOOR

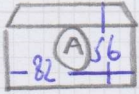


WOOD LINING
 & KITCHEN

304

Job No: F28651
 Name: OB RESIDENTIAL
 Address: 102B GOSBERN ROAD
 SW12 8LQ
 Tel: _____
 Sheet: _____ of: _____

- * 1 W 78x69
- 2 W 109x67
- 3 W 87x61
- 5 SPS 83



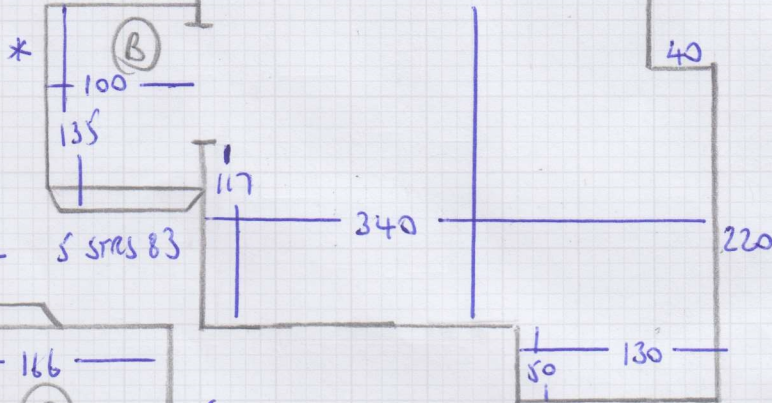
ROOF TERRACE

Bathroom
 ZIZ
 Polished
 ALI

300

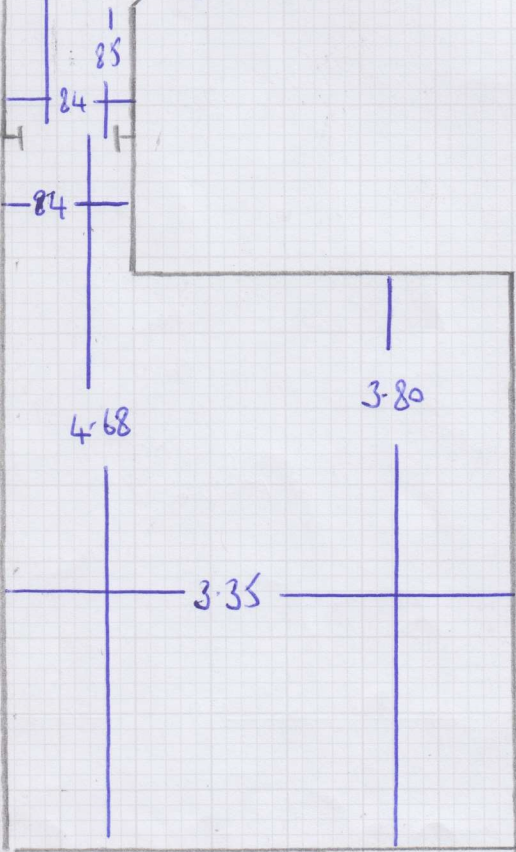
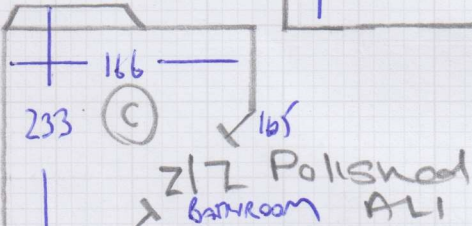
565

TOP FLOOR



F/F
 BN 98x45
 10 SPS 82

5 SPS 83



4 of 4