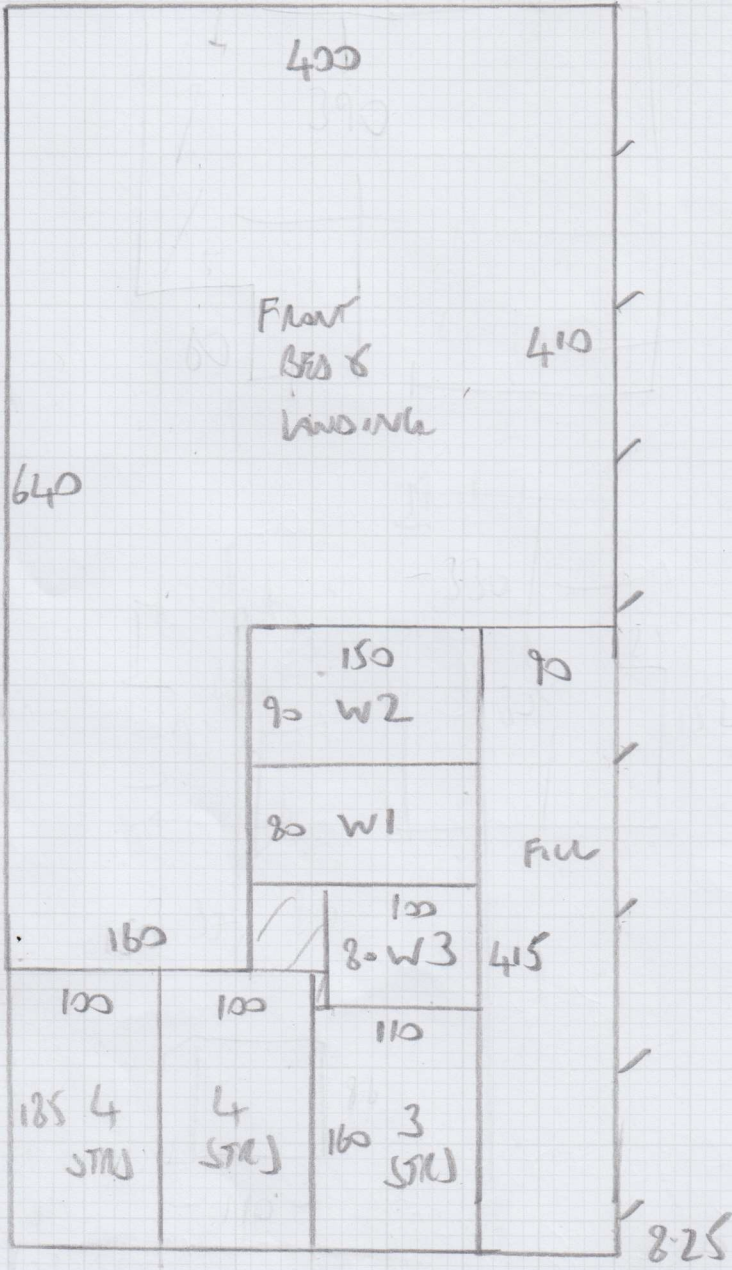


Job No: F28682
 Name: CLARKE
 Address: 38 WINGATE RD
 W6 0UR
 Tel: _____
 Sheet: _____ of: _____

NEW ENGLAND
 STAMFORD



825 - CIP
 320 - REAR BED

11.45 m x 4.00m

FIF

Job No: F28682

Name: CLARKE

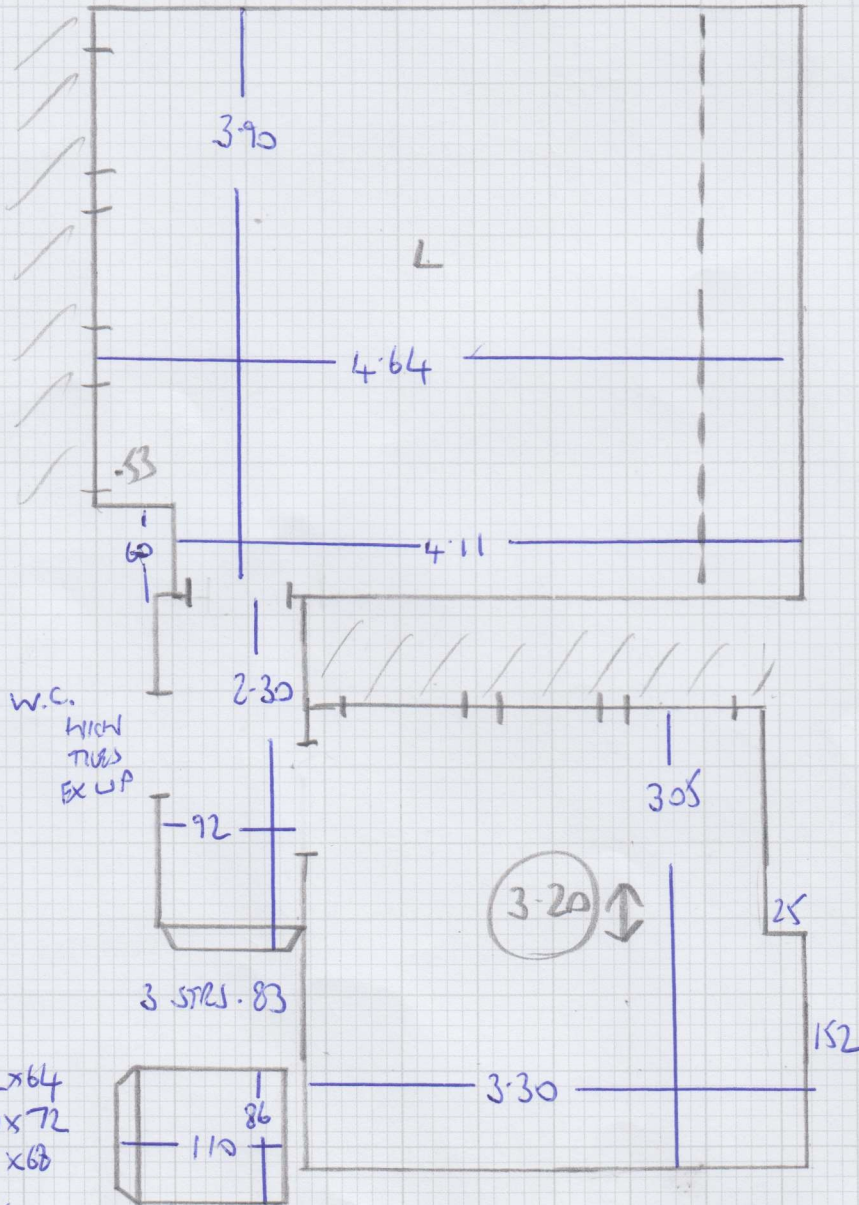
Address: 38 WINCATE ROAD
W6 0UR

Tel: _____

Sheet: _____ of: _____

TOP FLOOR FRONT

NEW ENGLAND
STAMFORD



- 1 W 102 x 64
- 2 W 117 x 72
- 3 W 83 x 63
- 6 STPS - 83
- FIRST FLOOR