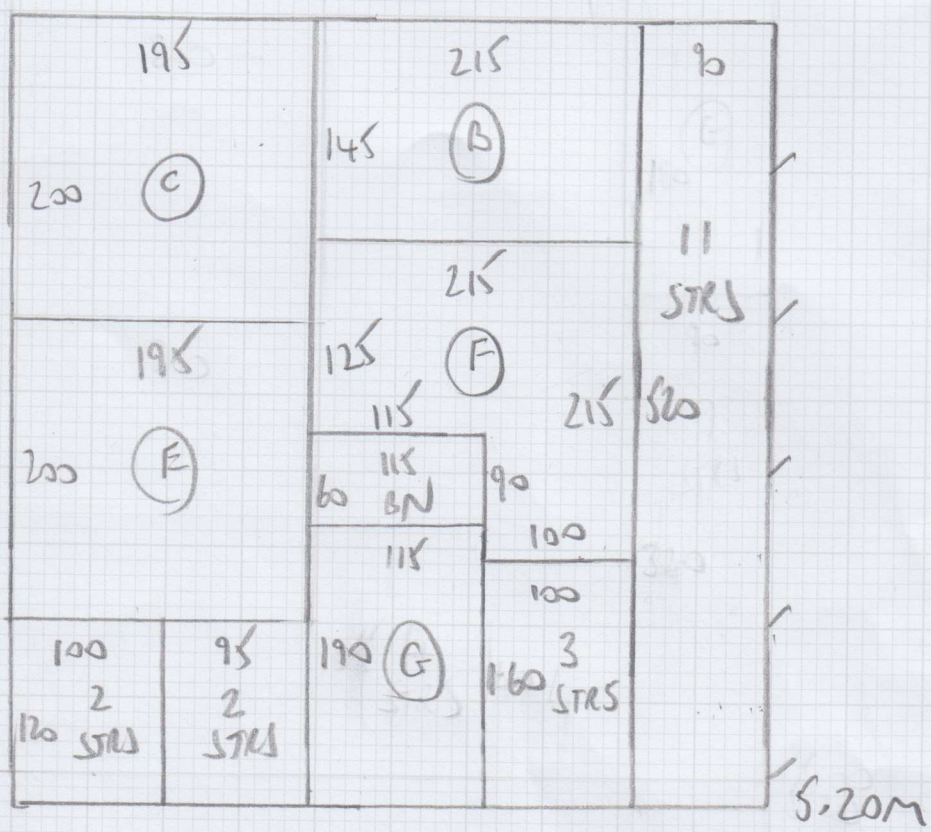
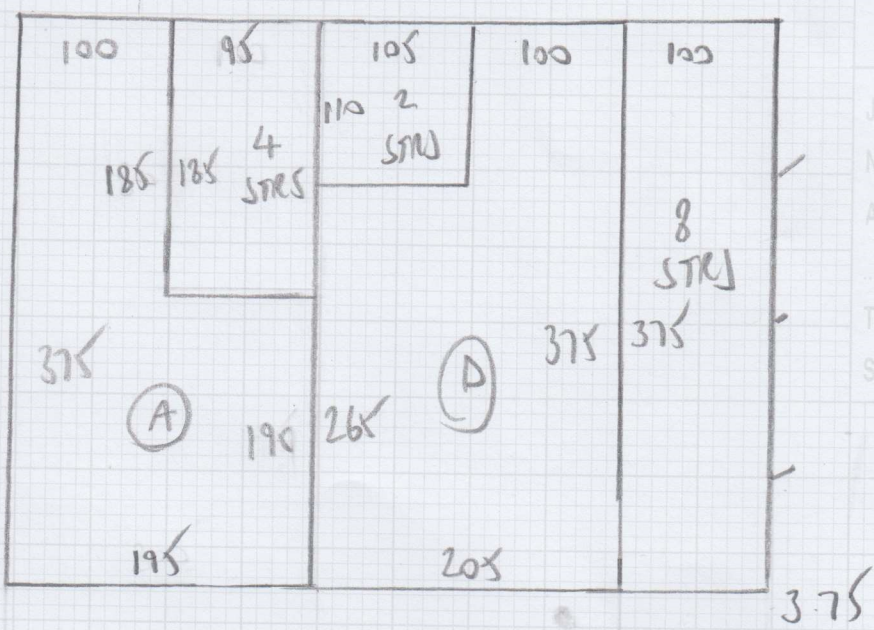


Job No: F28696
 Name: KESNER
 Address: 295 MUNSTER RD
 Swb 68W
 Tel:
 Sheet: 1 OF 3



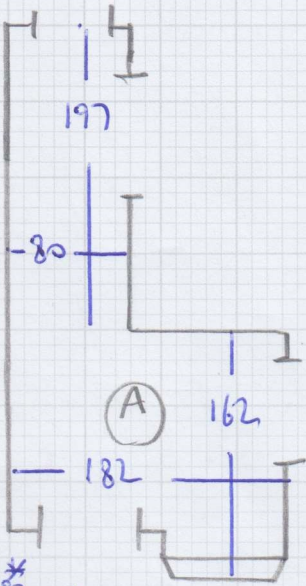
3.75 PLAN
 5.20 PLAN

$8.95m \times 5.00m = 44.75$

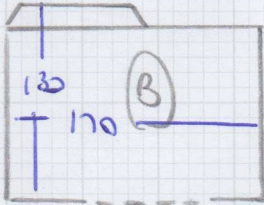
CARESS ELITE CEMENT

F28696

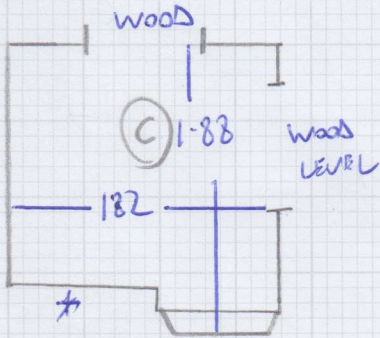
WOOD



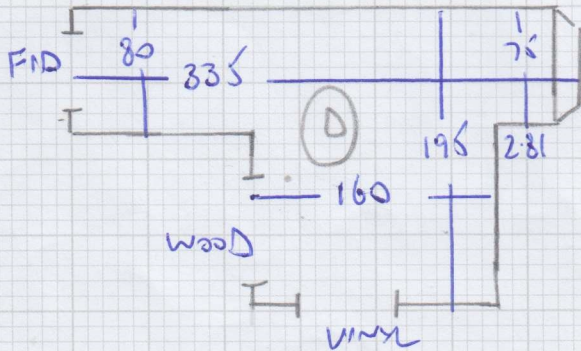
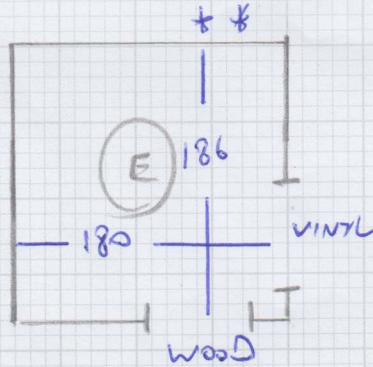
*
3W 27x45
7 STW 87
7 STW -69



VINYL
RAMP DOWN
TO ROOF TERRACE



WOOD LEVEL
8 STW -81
**



Job No: F28696

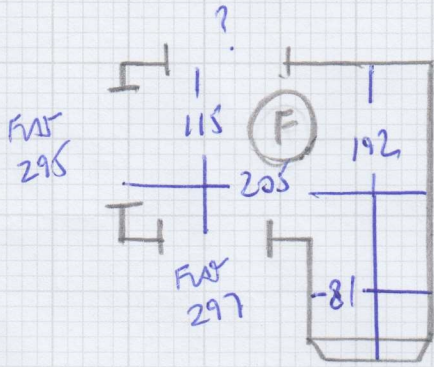
Name: KECNER

Address: 295 MUNSTER RD
SWB 68W

Tel:

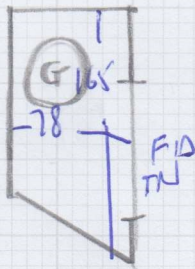
Sheet: 2 of 3

COMMUNAL AREAS



9 STAIR 64
1 STAIR 70

1975/12



NOSINGS ON STAIRS
WILL BE REMOVED
OWN DOORBOX

Job No: F28696

Name: KESNER

Address: 295 MUNSTER RD

SW6 6BW

Tel:

Sheet: 3 OF 3