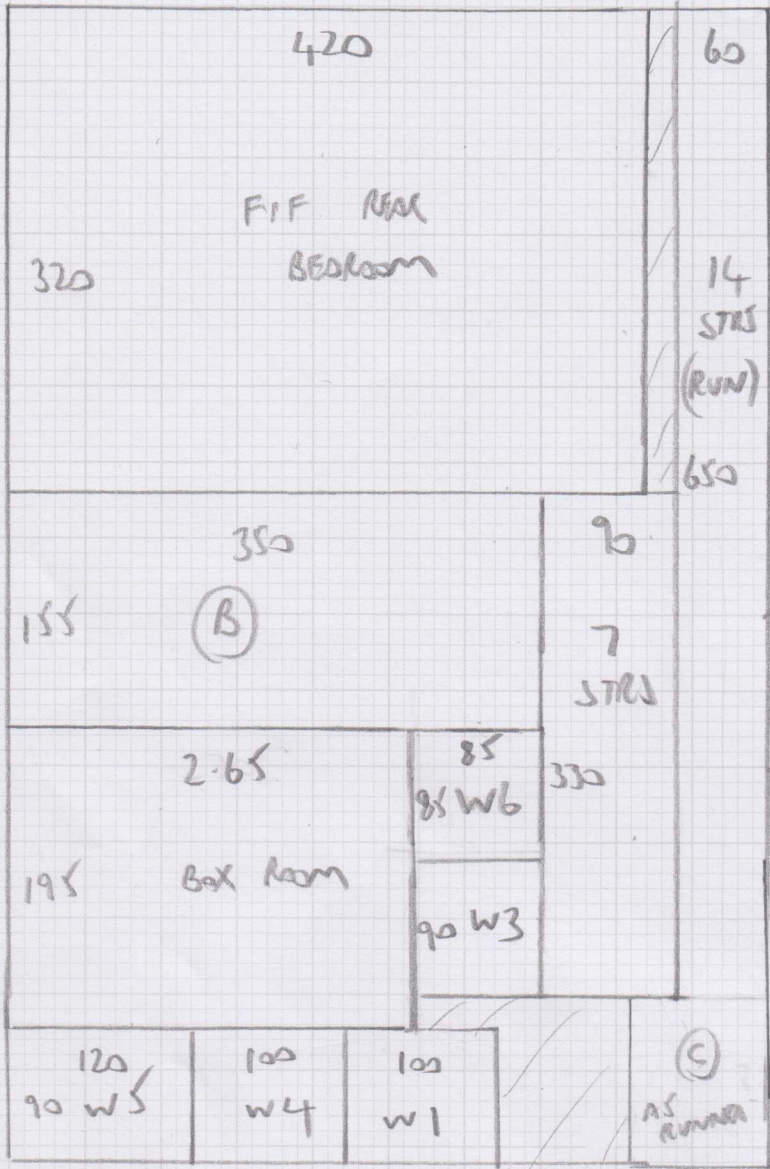




Job No: F28701
Name: MERUN
Address: 6 CRESTREE LANE
SW6 6LN
Tel:
Sheet: 1 OF 5



3.20M - FRONT BED

8.85M } CIP
7.60M }

$19.65M \times 5.00 = 98.25M^2$

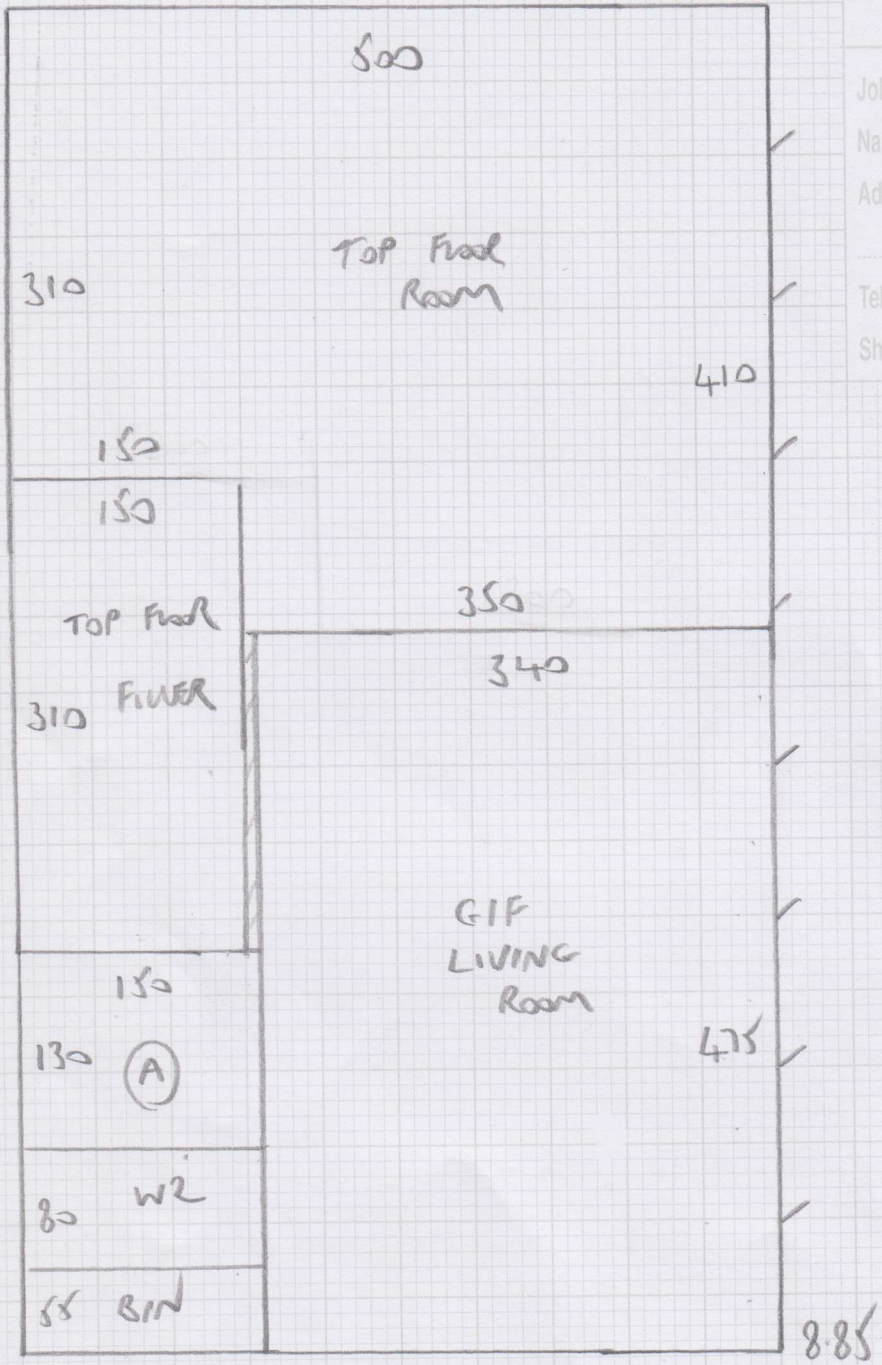
* Shape $\frac{1}{2}$
Landing $\frac{2}{2}$ (C)
L-shaped

stair runners
60cm

VENEZEULA VEN-OIS



Job No: F28701
 Name: MERLIN
 Address: 6 CRASTREE LANE
 SW6 6LN
 Tel: _____
 Sheet: 2 of 5





Job No: F28701

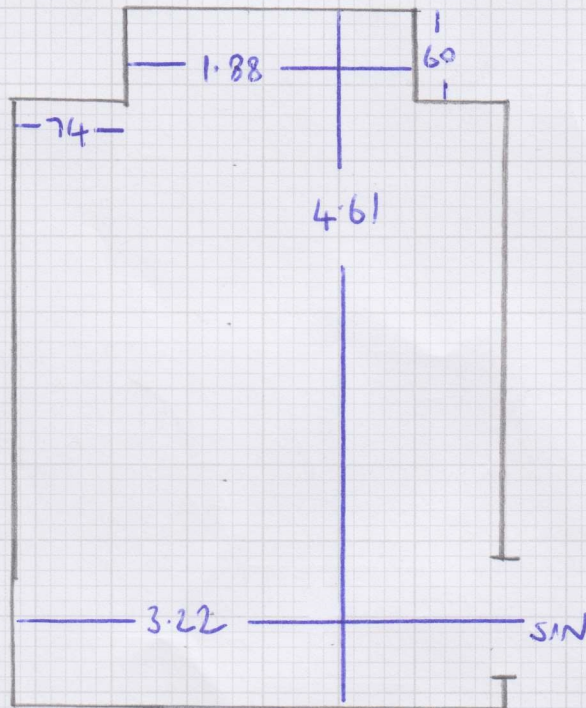
Name: MELUN

Address: 6 CHASTREE LANE
SW6 6LN

Tel:

Sheet: 3 OF 5

GROUND FLOOR
RECEPTION



Job No: F28701

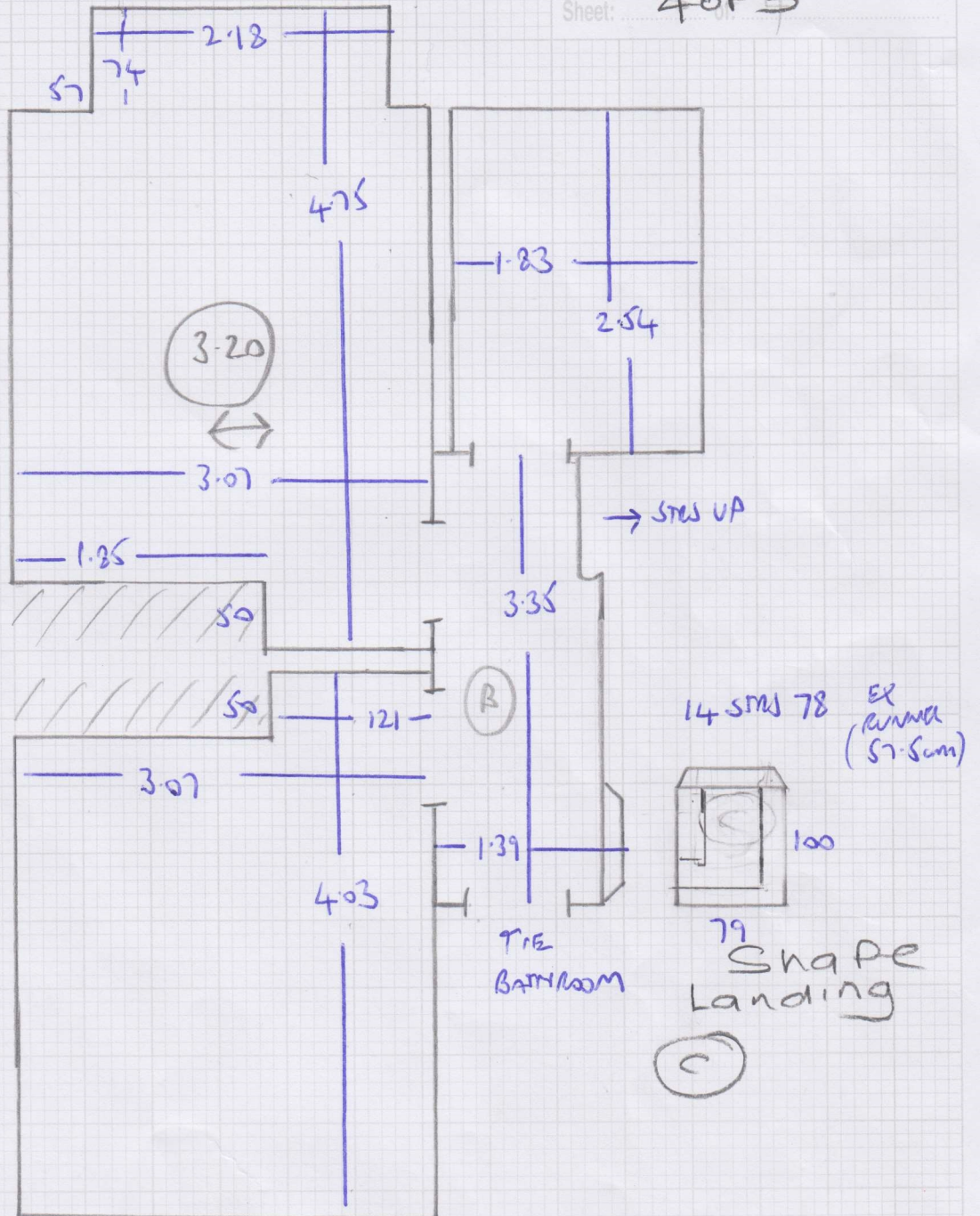
Name: MERLIN

Address: 6 CRABTREE LANE
SW6 6LN

Tel:

Sheet: 4 of 5

FIRST FLOOR





Job No: F28701

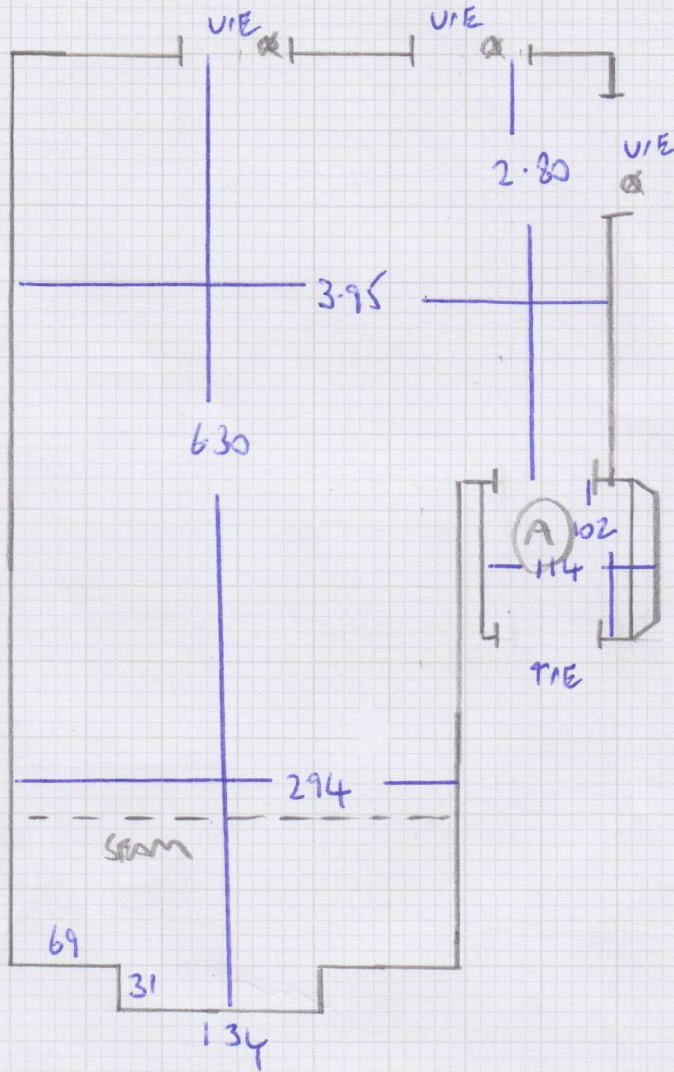
Name: MELUN

Address: 6 CRASTREE LANE
SW6 6LN

Tel:

Sheet: 5 of 5

TOP FLOOR



- 1 W 88x62 ✓
- 2 W 108x68 ✓
- 3 W 75x67 ✓
- 7 STRS-78
- 4 W 88x62 ✓
- 5 W 107x67 ✓
- 6 W 73x68 ✓
- B/W 100x45
- FIF