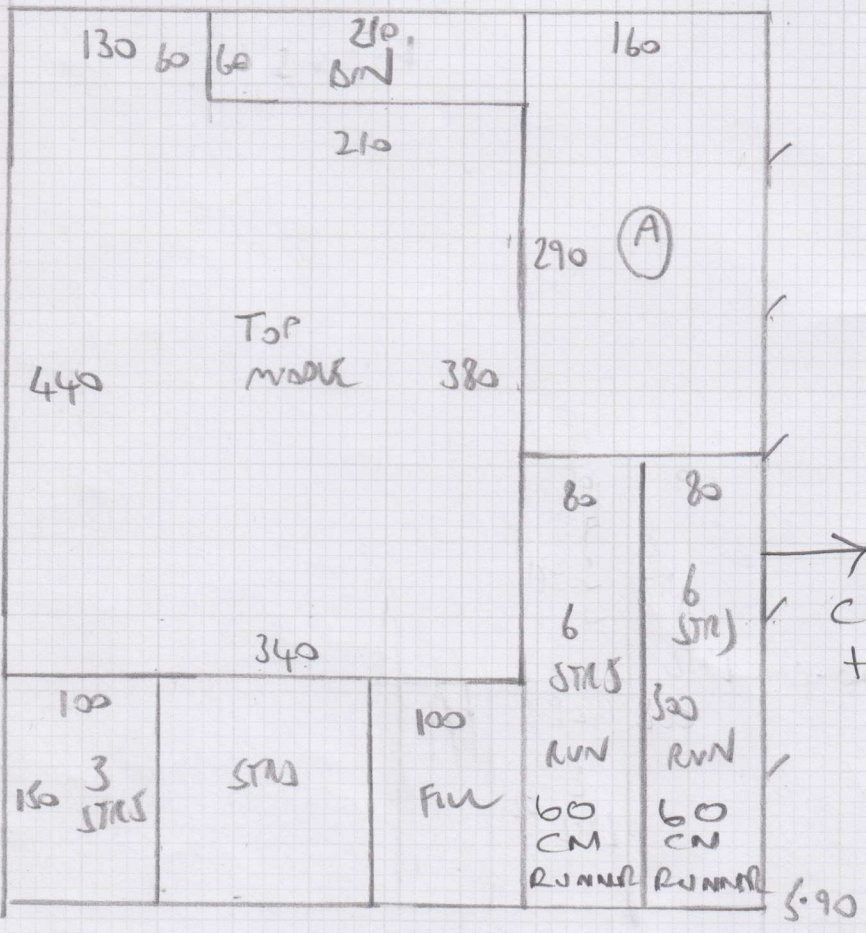


Job No: F28709  
 Name: MCKEET  
 Address: 11 DOVERALE STREET  
 SW6 6EZ  
 Tel:  
 Sheet: 1 of 4

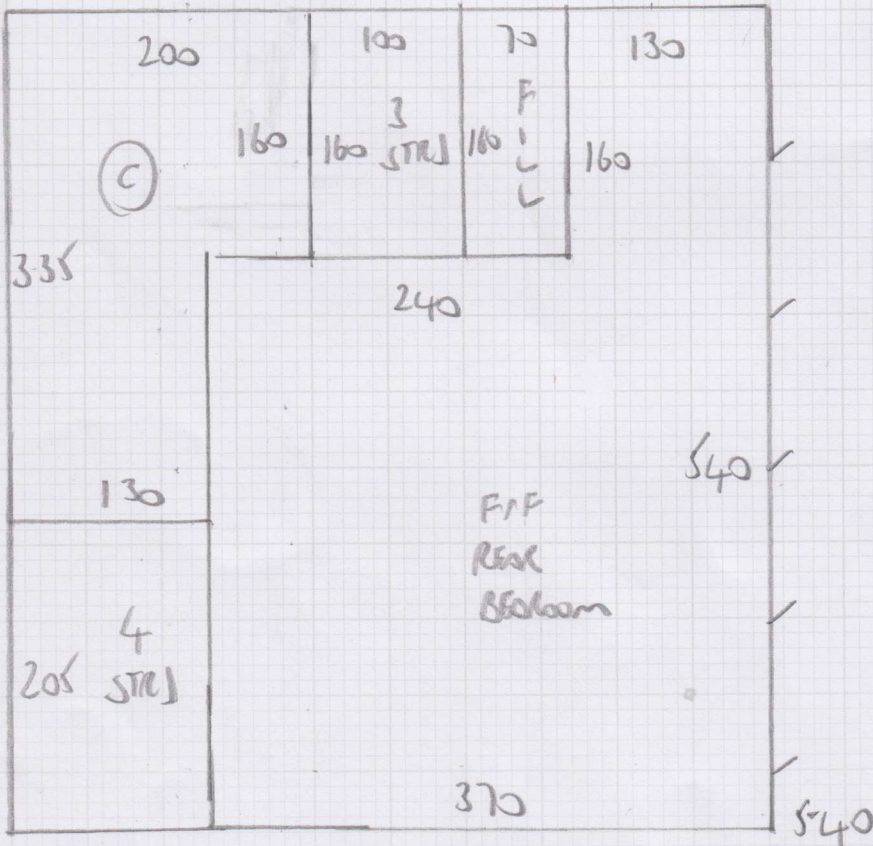
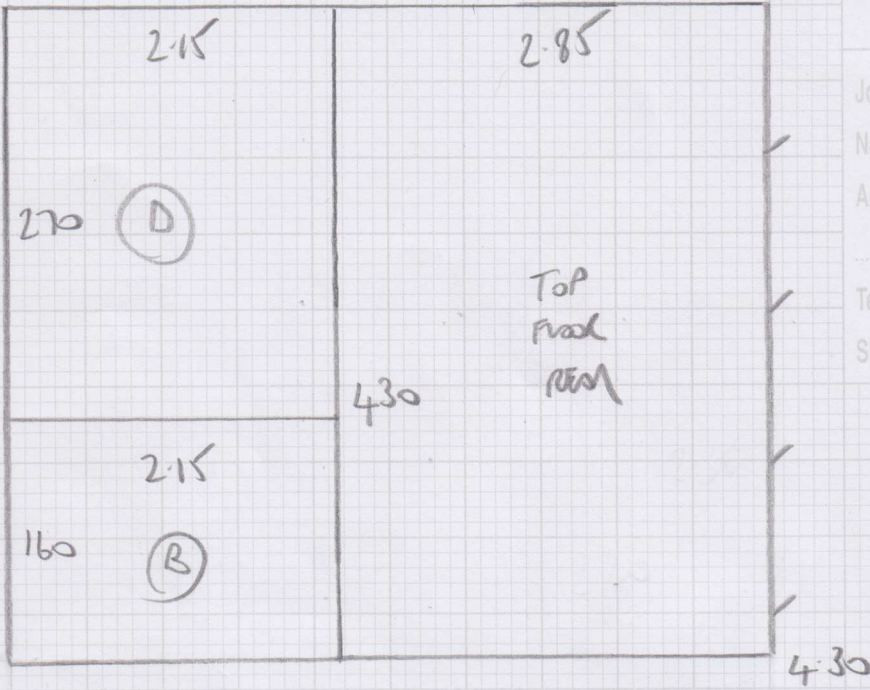


4.90  
 3.70  
 5.90  
 4.30  
 5.40  
 -----  
 24.20 x 5.00 = 121 m<sup>2</sup>

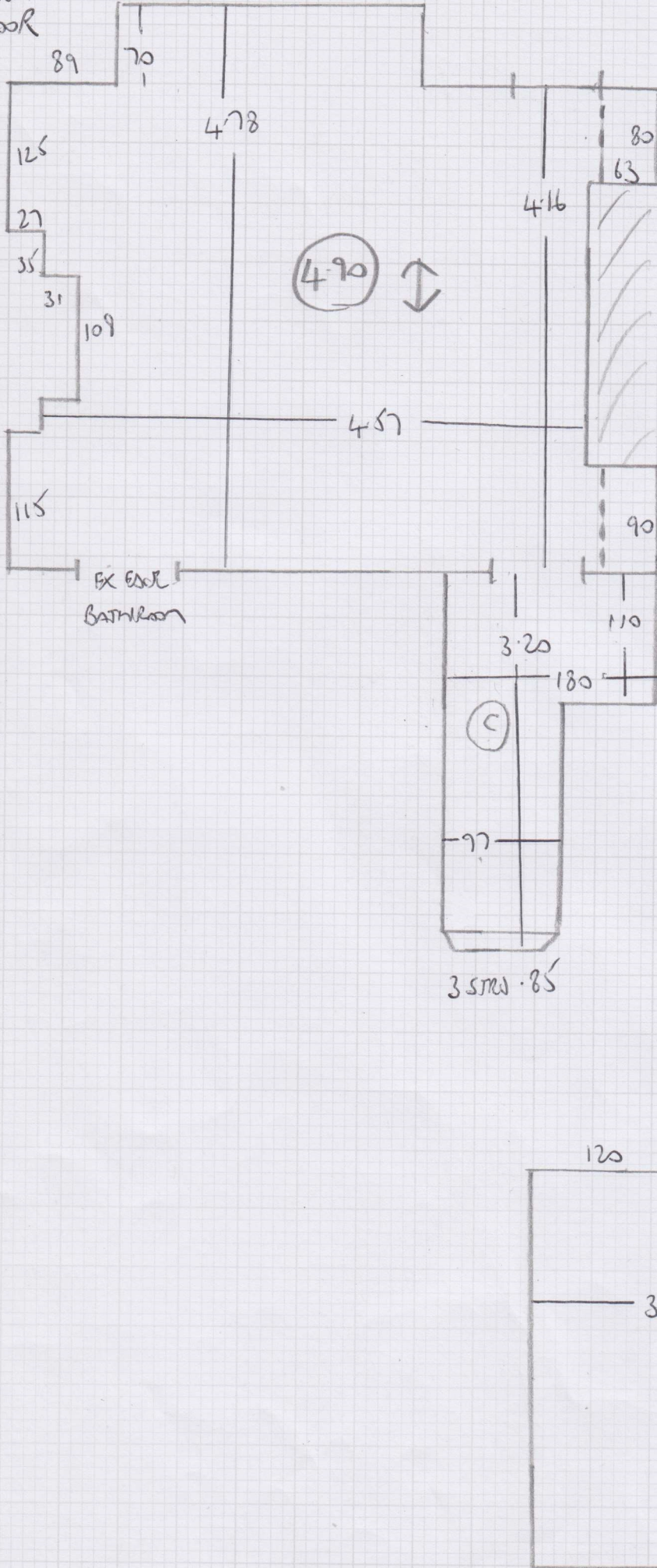
OHIO CORD (NAT CO-ORDINATES)  
 1627/27

25.00 x 5MTR  
 Roll ordered

Job No: F28709  
 Name: MCKETT  
 Address: 11 DOWENHILL STREET  
 SW6 6EZ  
 Tel:  
 Sheet: 2 OF 4

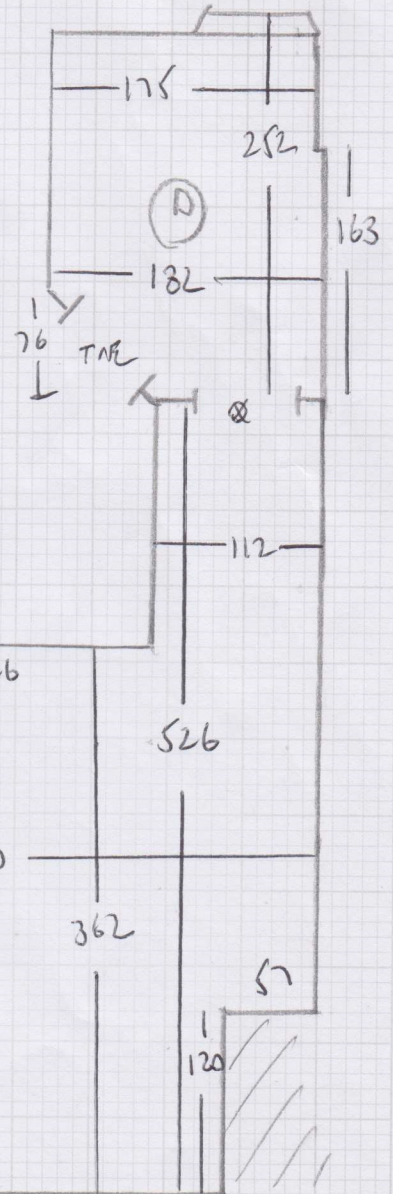


FIRST  
Floor

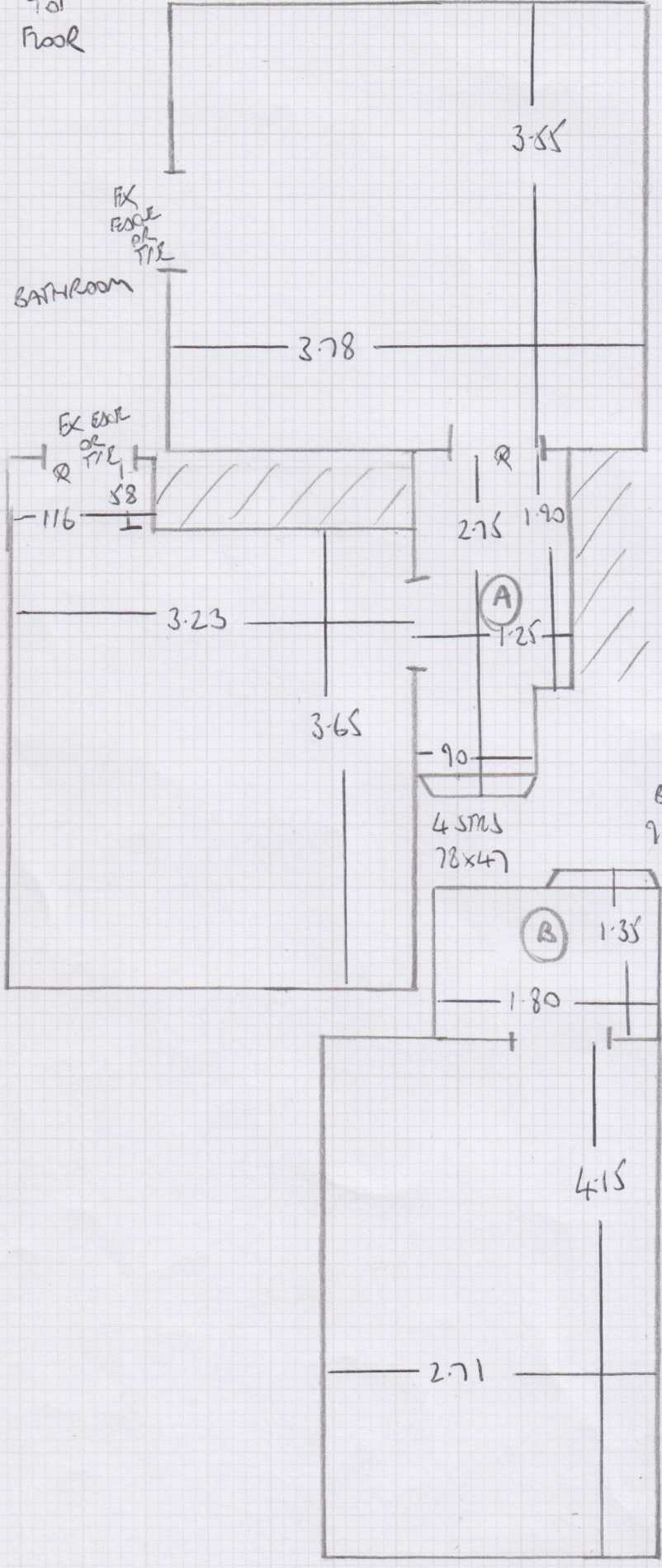


Job No: F28709  
Name: MOCKETT  
Address: 11 DORVILLE STREET  
SW6 6EZ  
Tel:  
Sheet: 3 OF 4

6W 102x40 } runner  
11 STEPS 85 } .61  
RUSER 85x15 }



Top Floor



BATHROOM

EX EDGE OF TILE

EX EDGE OF TILE

116

58

3.23

3.65

90

4 STMS  
78x47

(A)

1.80

4.15

2.71

2.75

1.25

1.90

(B)

1.35

3.55

3.78

F/F

61W 99x47

2 STMS 78x47

mrcarpets  
DESIGNS FOR FLOORS

Job No: F28709  
 Name: MCKEY  
 Address: 11 DONERAILE STREET  
 SW6 6EZ  
 Tel:  
 Sheet: 4 OF 4