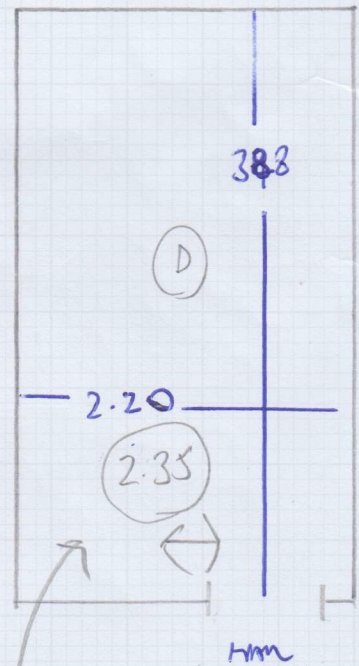
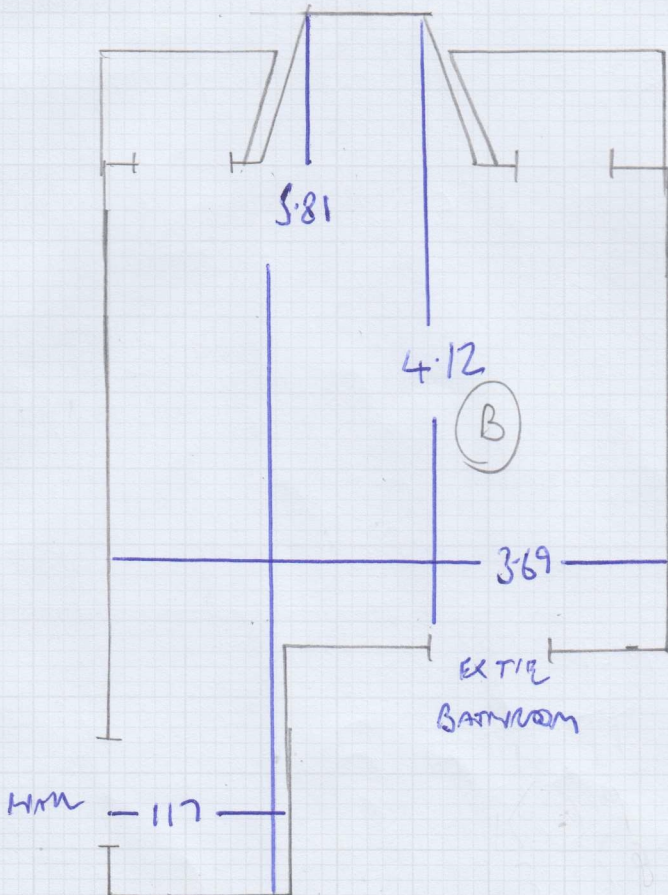
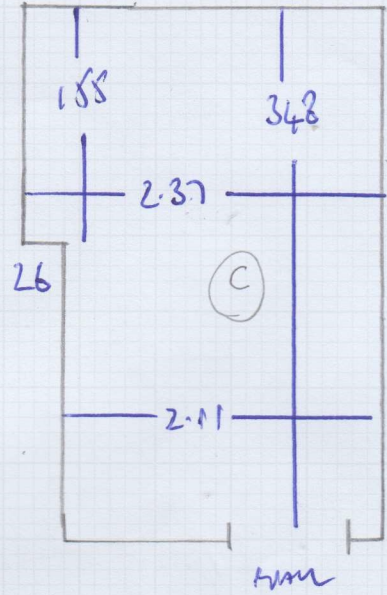
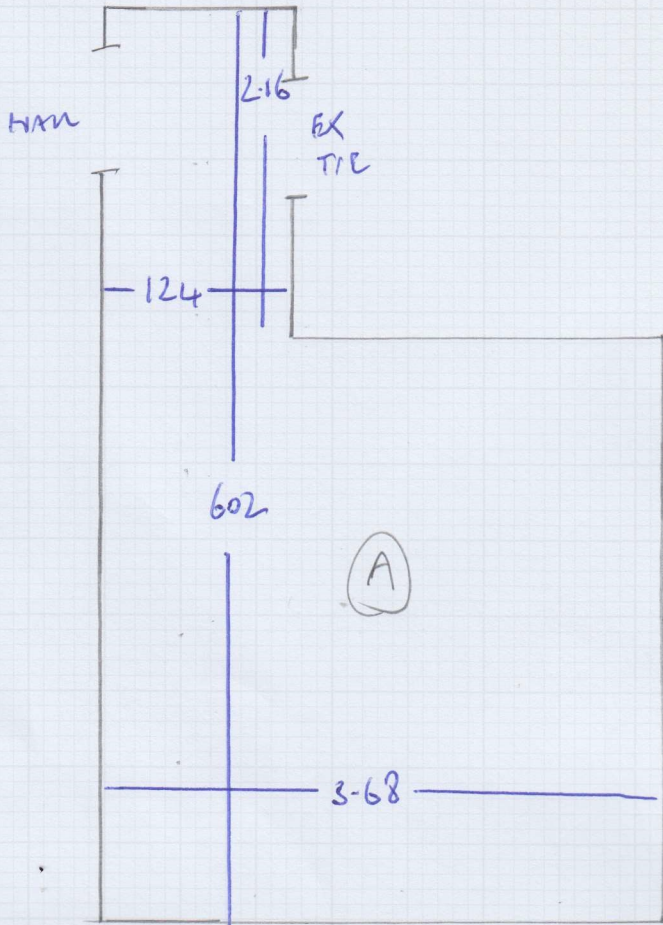


Job No: F28874
 Name: CARLSON
 Address: Flat E, 26 Lower Siamese
 St SWIV 86J
 Tel:
 Sheet: of:



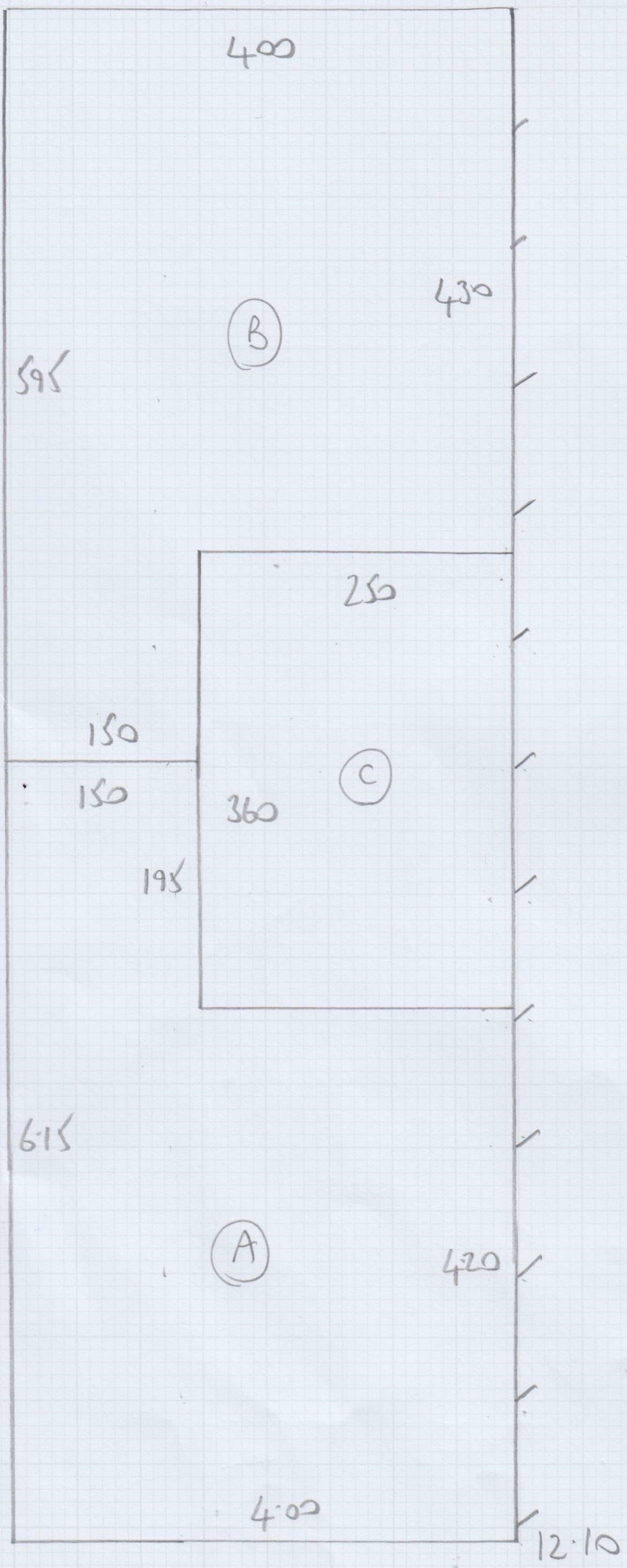
CURRENTLY DRESSING ROOM
 CUPBOARDS TO COME OUT
 FROM BOTH SIDES.



mrcarpet

JUST SAY YOU CUT IT

Job No: F2 8874
 Name: CARLSON
 Address: FLAT E 26 LOWER
 SWANE STREET SWIV 887
 Tel: _____
 Sheet: _____ of: _____

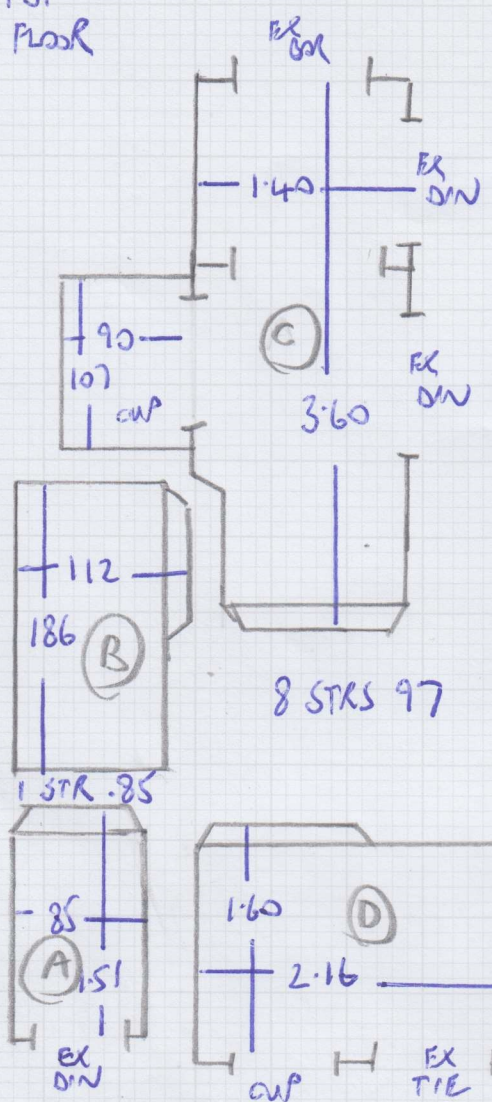


12.10 - CUTTING PWD
 2.35 - (D)

 14.45 x 4.00
 = 57.8m²

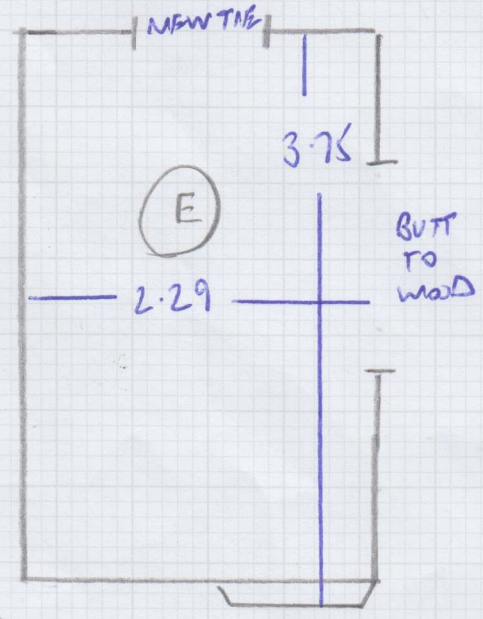
TOP
FLOOR

Job No: F28874
 Name: CARLSOM
 Address: FURT E
 26 LOWER SUMME ST
 Tel: SWIV 88J
 Sheet: _____ of: _____



8 STRS 97

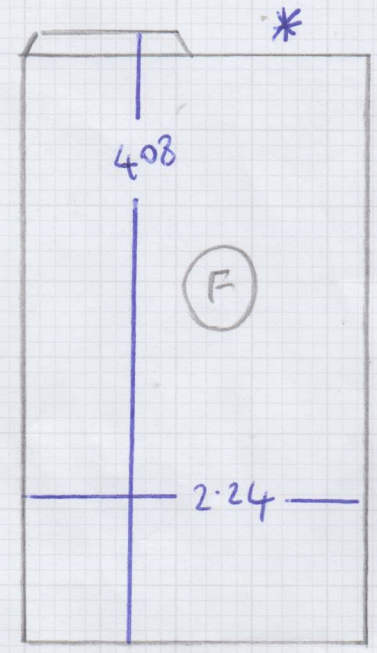
8 STRS 1.00



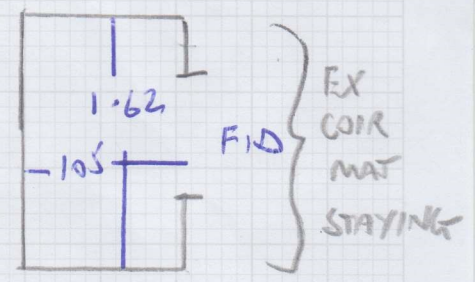
8 STRS 1.00

1 SQ BN 125x45
 2 BN 165x62

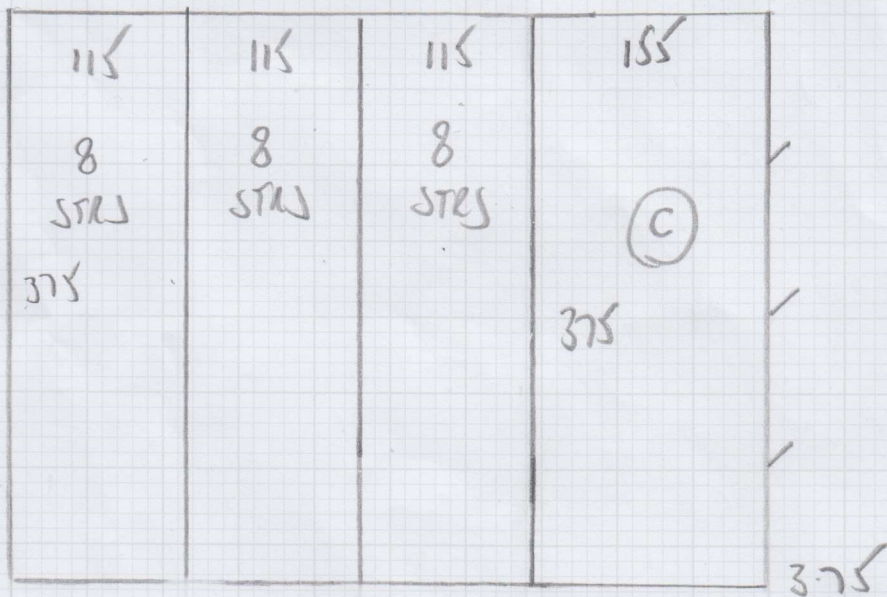
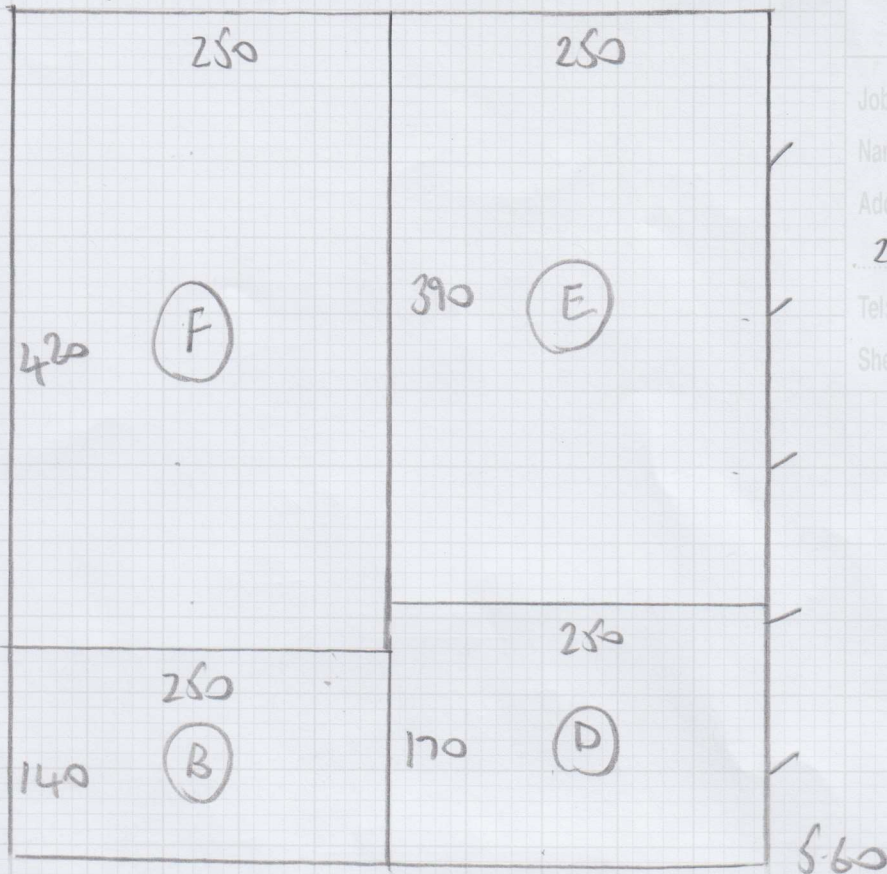
*



7 STRS 1.00



Job No: F28874
 Name: CARL BOM
 Address: FWT E
 26 LOWER SLOANE ST
 Tel: SWIV 88J
 Sheet: _____ of: _____



$$\begin{array}{r}
 5.60 \\
 3.75 \\
 2.00 \\
 \hline
 11.35m \times 5.00 \\
 = 56.75m^2
 \end{array}$$

