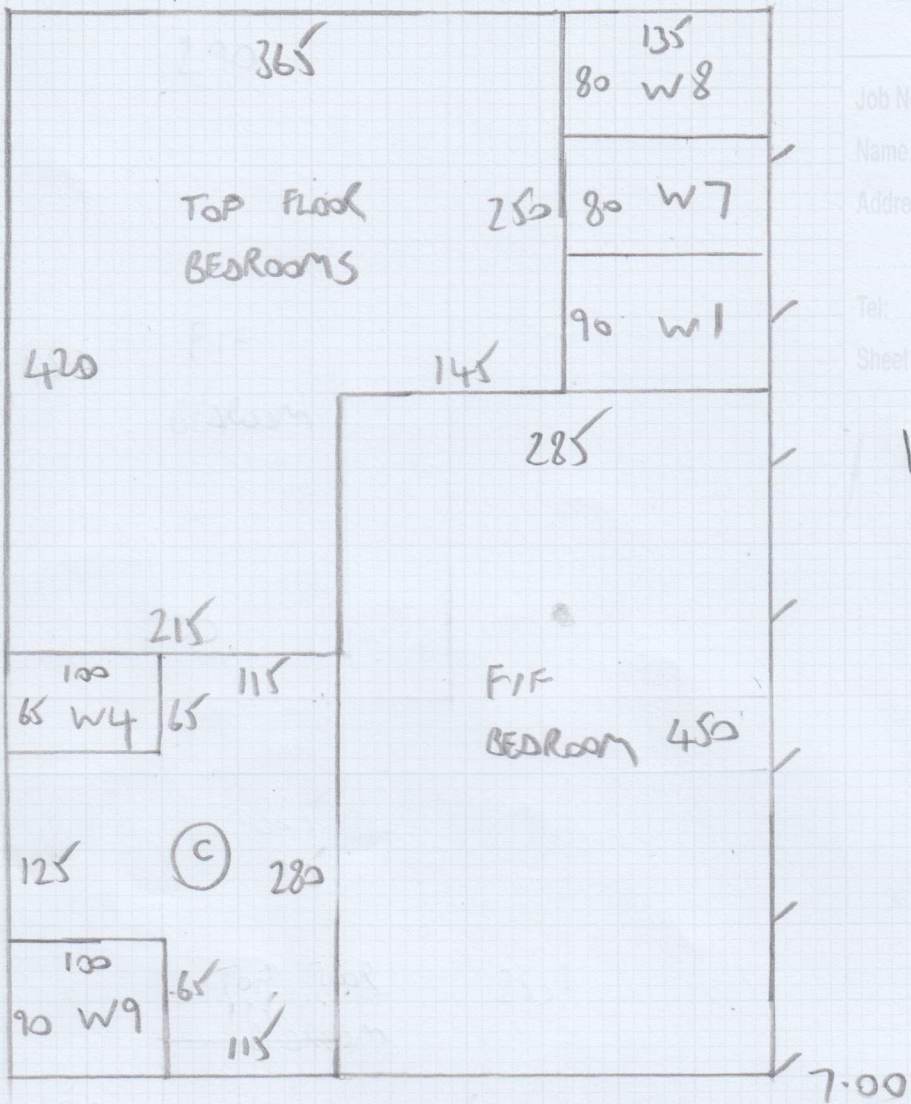
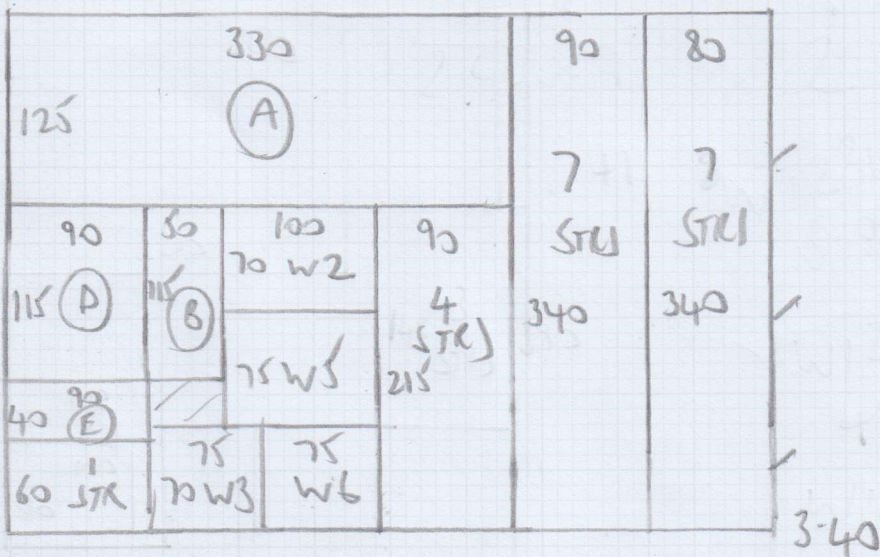


Job No: F28895
 Name: CRAMSE
 Address: 70A NOYNA ROAD
 SW17 7PH
 Tel:
 Sheet: 1 OF 2



KUTINA KUTPIZOI
 WOODBRIDGE

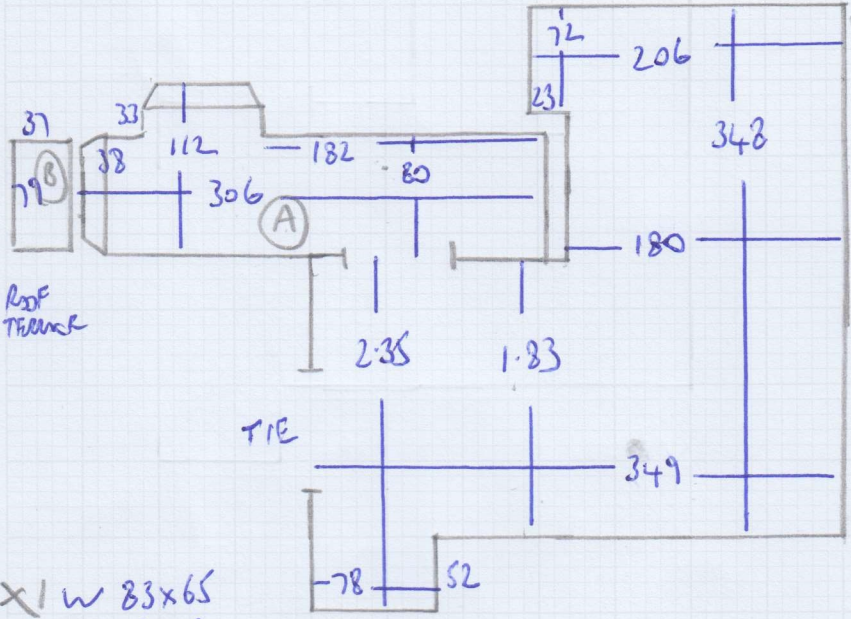
7.00 } x 5mtr
 3.40 }



7.00
 3.40

 10.40m x 5.00m = 52m²

Top Floor



- x 1 w 83x65
- x 2 w 85x58
- + 3 w 62x59
- 8 STRS 61x42
- x 4 w 71x55
- + 5 w 87x59
- + 6 w 57x58
- FIF
- *

- x 7 w 85x58
- x 8 w 102x63
- x 9 w 68x68
- 7 STRS 67
- 1 STR 75
- 75
- 4 (E) 25
- DAN
- G-1F

Job No: F28895
 Name: CRAMSIE
 Address: 70A MOYNA ROAD
 SW17 7PH
 Tel:
 Sheet: 2 of 2

FIRST FLOOR

