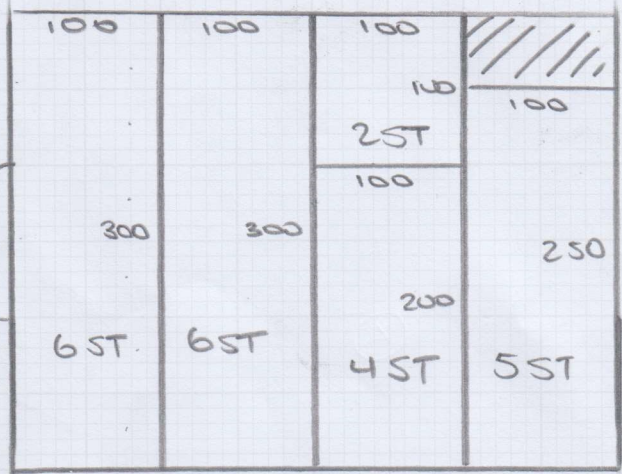


Job No: F28909
 Name: CHAMBERS
 Address: 8076 FULHAM PR
 Tel: _____
 Sheet: _____ of _____

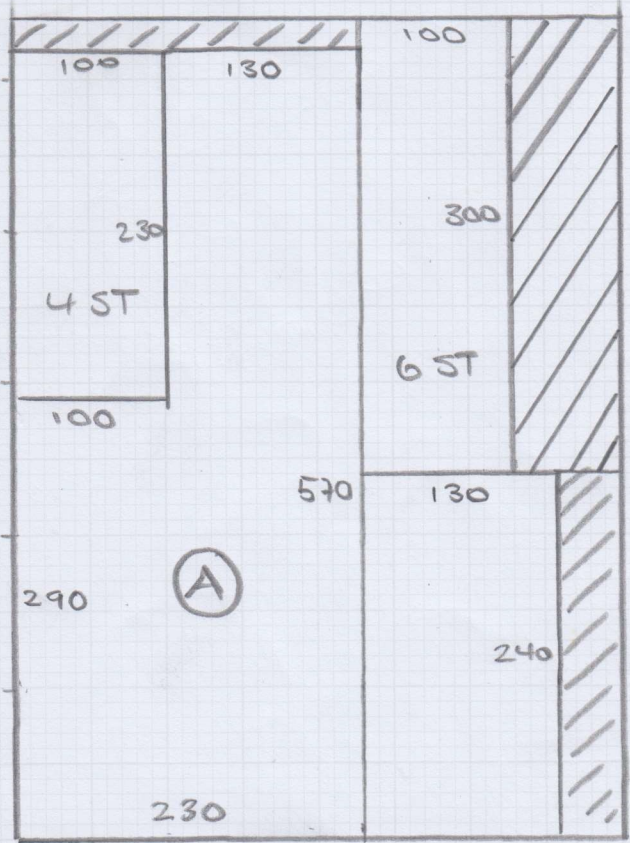
JMS MILESTONE
 891 FJORD

CPI



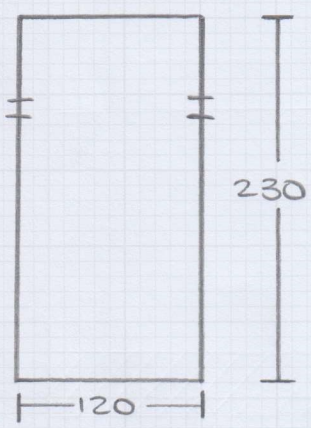
CPI - 3 x 4M
 CP2 - 5.40 x 4M

CP2



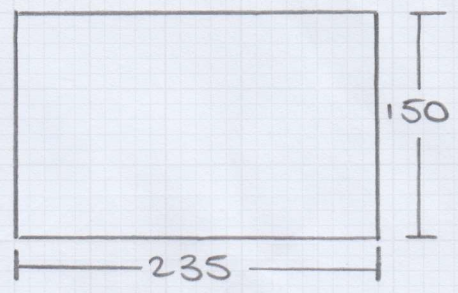
Job No: F28909
Name: CHAMBERS
Address: 8076 FULTHAM P.R
SW6 5HE
Tel:
Sheet: of:

2F LAND



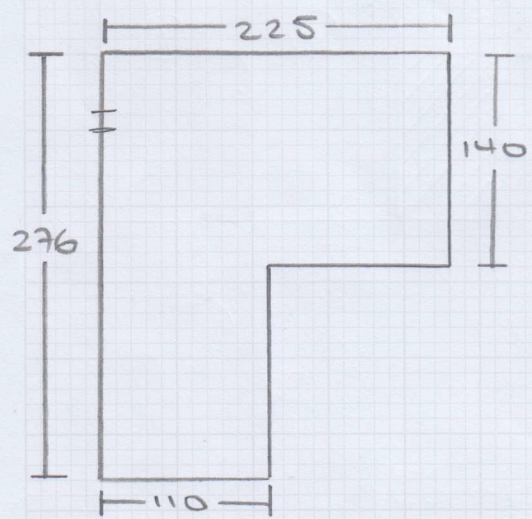
6 ST - 94 x 42

2F H-LAND



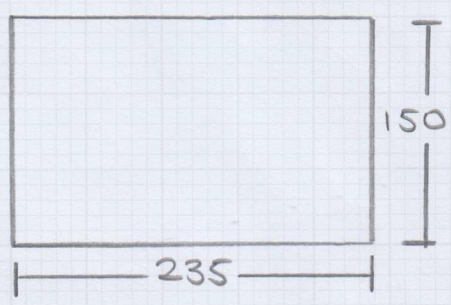
9 ST - 94 x 42

F/F LAND

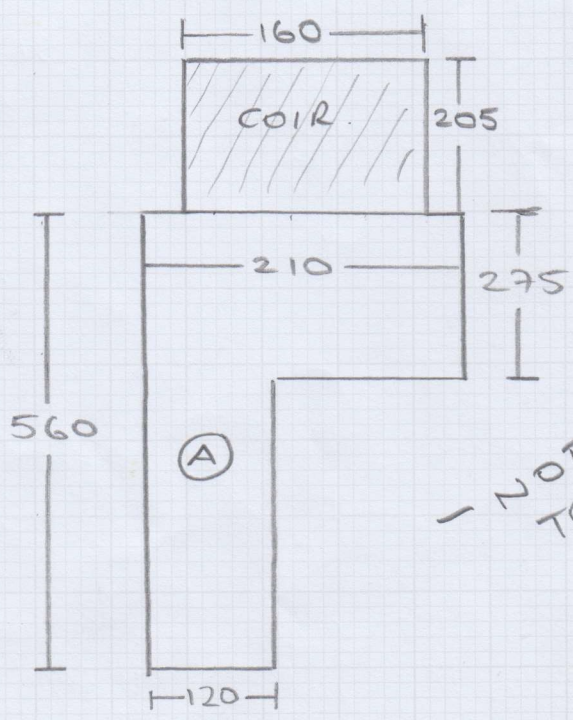


4 ST - 94 x 42

F/F H-LAND



14 ST - 94 x 42



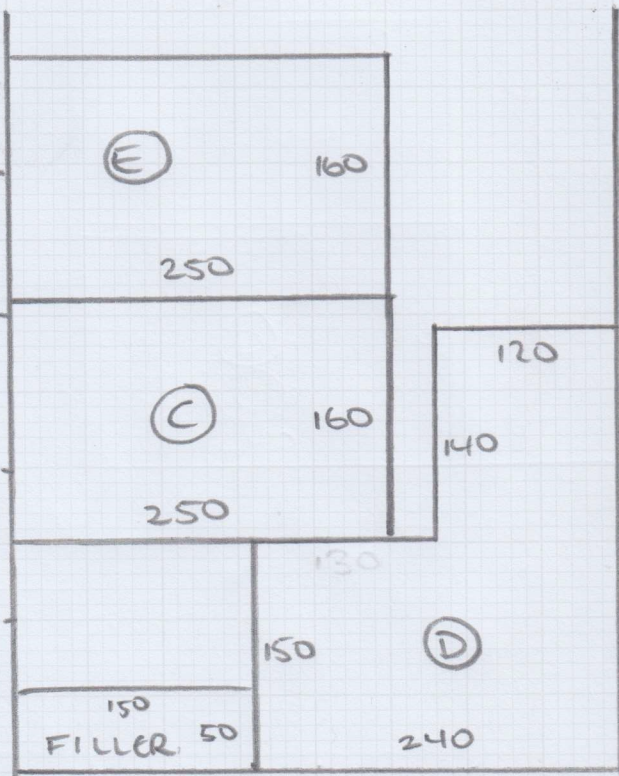
- NOT TO SCALE

Job No: F28909
 Name: CHAMBERS
 Address: 8076 F. PAL RD
 SW6 5HE
 Tel: _____
 Sheet: _____ of: _____

8911 FJOKO.

TOE
 CLAIRE
 49329135
 11.95 - 10%
 = £10.76

470



4.70 x 4.40