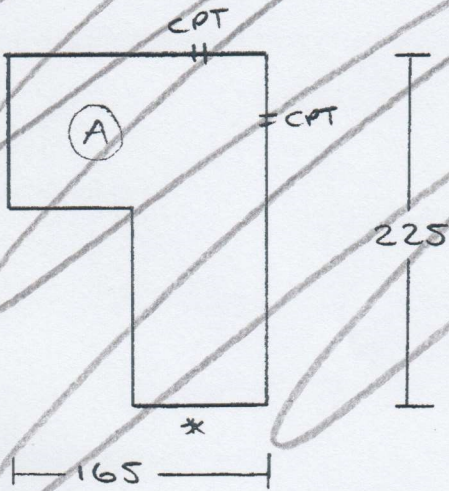


FIRST FLOOR UPPER LANDING.



* 4 ST - 72 x 44

F28996

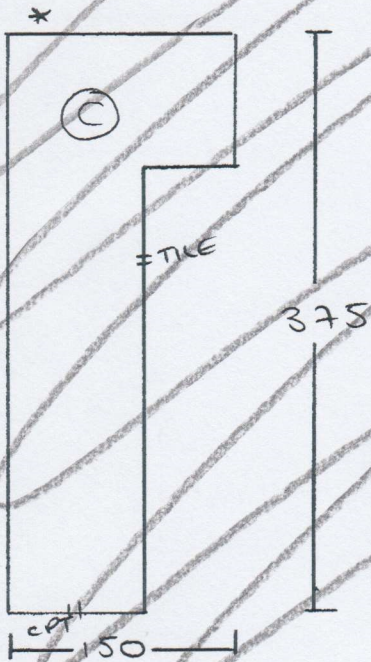
FEILDEN

64 PETLEY ROAD

*WG 9ST

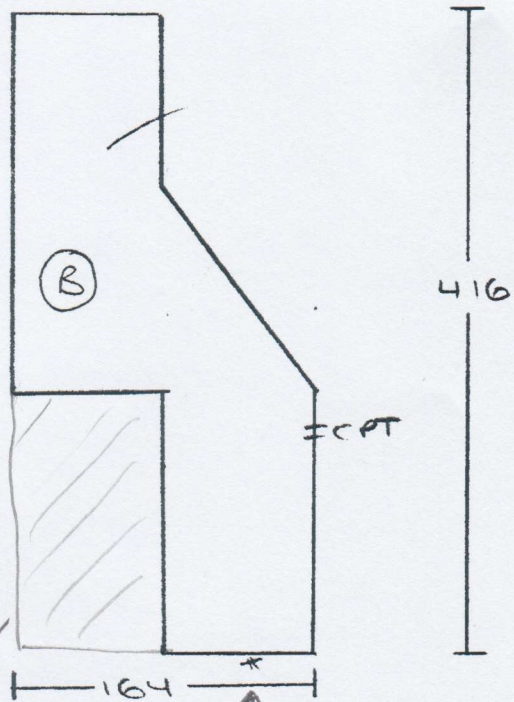
1 2

FIRST FLOOR LOWER LAND



* 9 ST - 72 x 44
BN - 94 x 42

GROUND FLOOR ✓

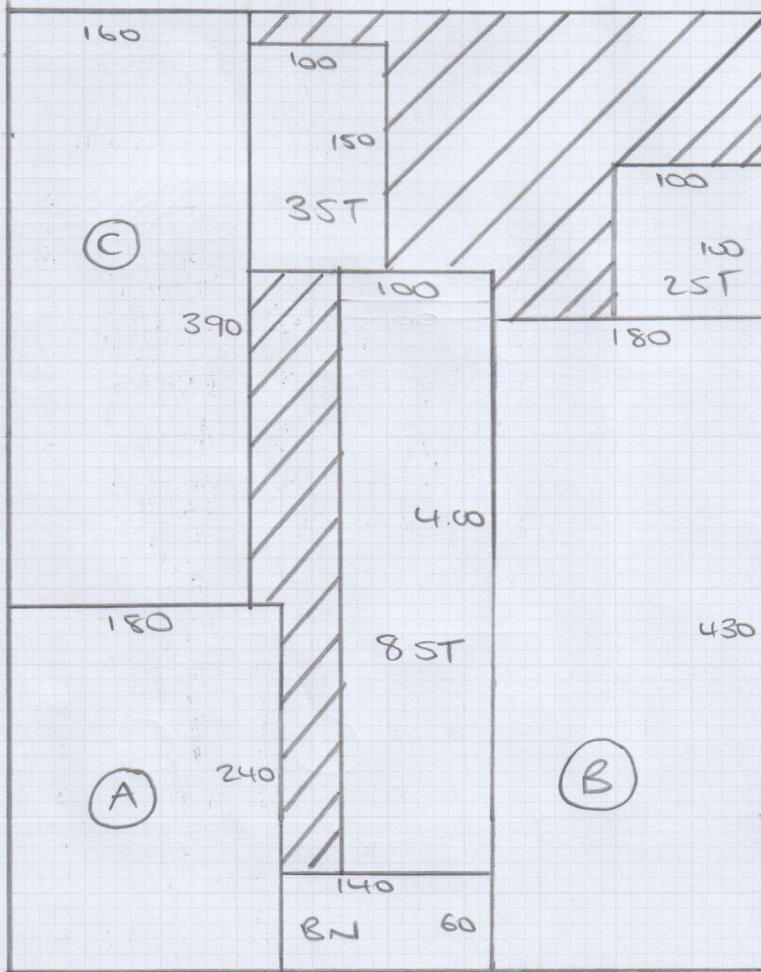


3 STCS FLOW
WASTE
(NEW CARPET)

* 3 ST - 72 x 44

Job No: F28976
Name: FEILDEN
Address: 64 PETLEY RD
W6 9ST
Tel:
Sheet: 2 of 2

ALSO, USE UPLIFT TO REPLACE
3 WORN STAIRS



LONDON TWIST
40
(RIVERSIDE)
403 HARVEST