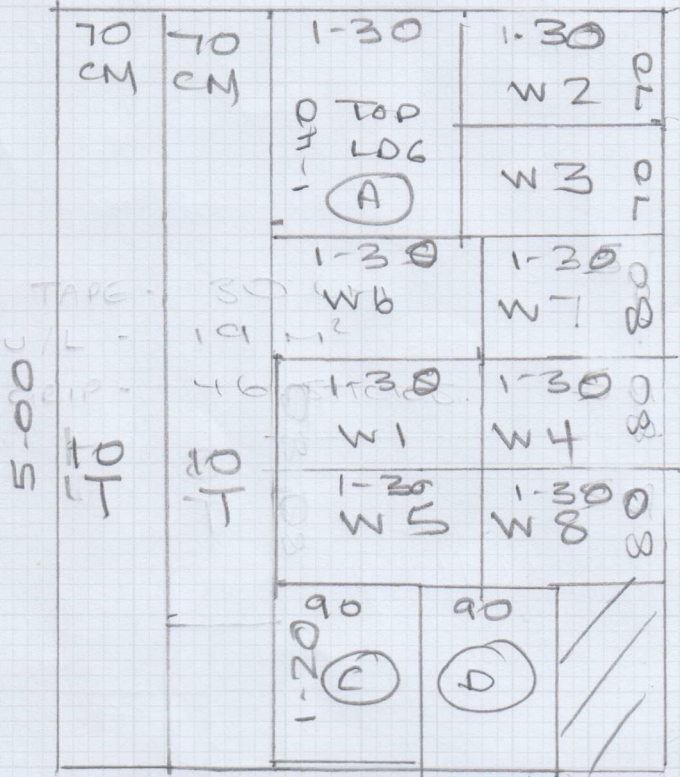
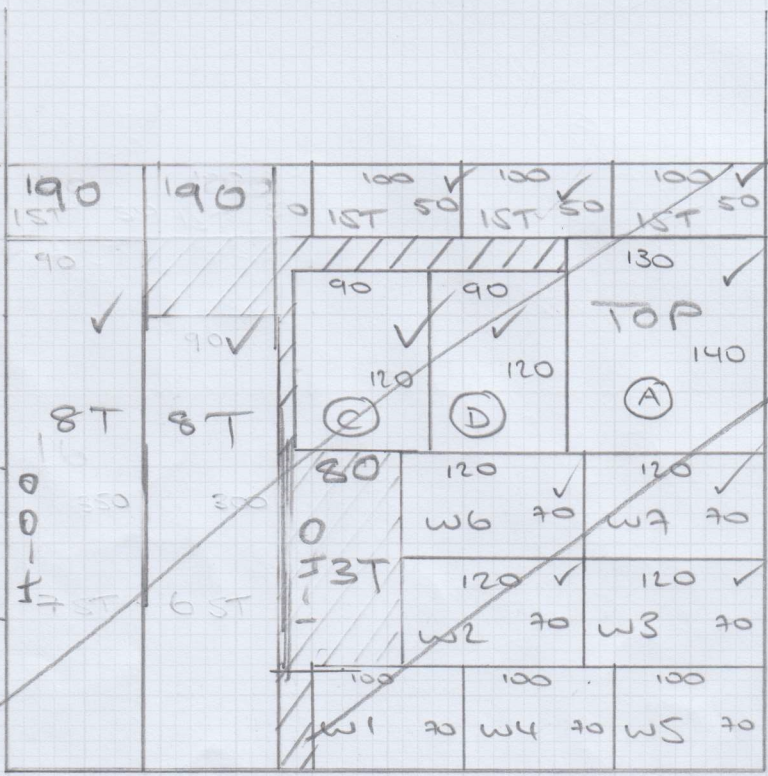


Job No: MOKAN
 Name: 29094
 Address: 3 BOWFELL RD
 W6 9HE
 Tel:
 Sheet: 1 of 2



NATURAL HERRINGBONE
 5-00 x 4MTR
 NHE-SSO (Cuplk)



~~Flatweave
 Herringbone
 Chalk
 4-00 x 5M~~

Black
 Whipping

6-00 x 4MTR

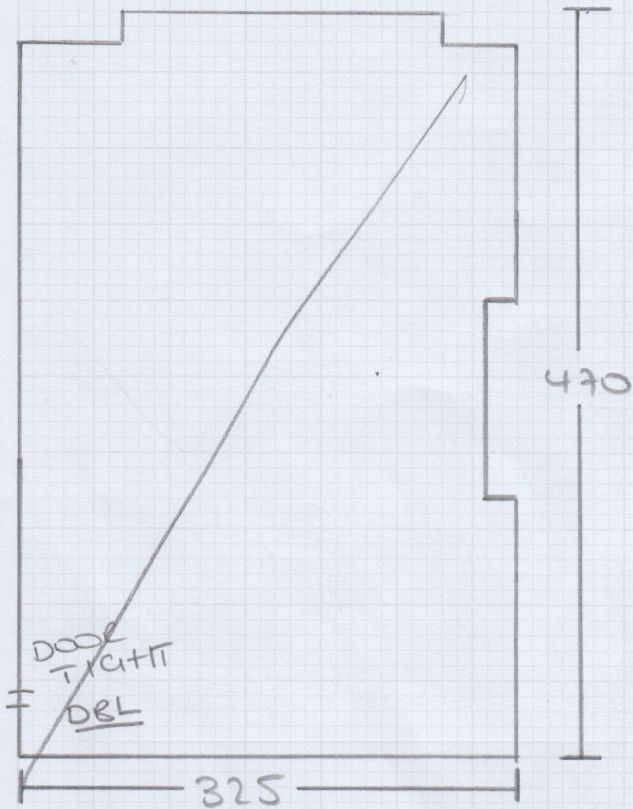
MRC 01

(Reserve)
 2111 S
 David V

Slap 14/03
 Ft 20/03

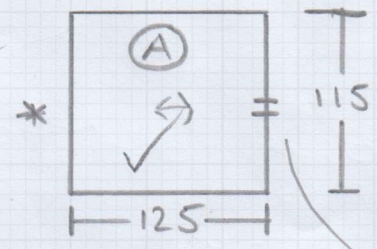
T 30/11
 ULA 19/12
 SLP 4/6

FRONT LEFT BED

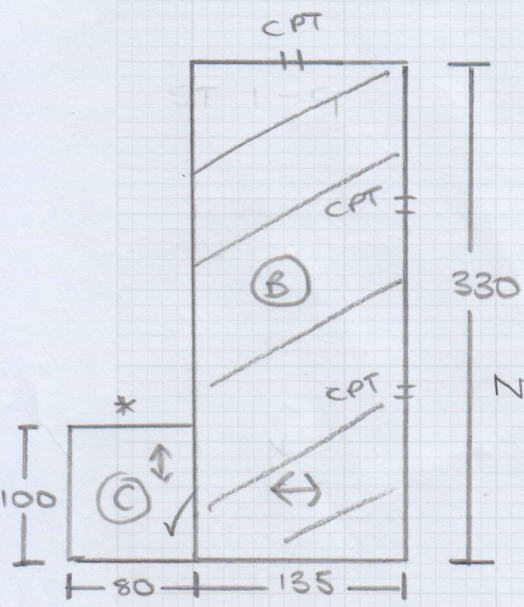


mrcarpet
 Job No: MOLAN
 Name: F29094
 Address: 3 BOWFEN RD
 W6 9HE
 Tel:
 Sheet: 2 of 2

ST 2-1



- W1 - 87 x 54
- W2 - 106 x 58
- W3 - 110 x 56
- W4 - 86 x 57
- 5 ST - 78 x 46
- W5 - 86 x 54
- W6 - 106 x 57
- W7 - 110 x 57
- W8 - 93 x 53



NOT LANDING
 (B)

WILL NEED TO BREAK CPT FROM LOFT ROOM

* 13 ST - 78 x 46

