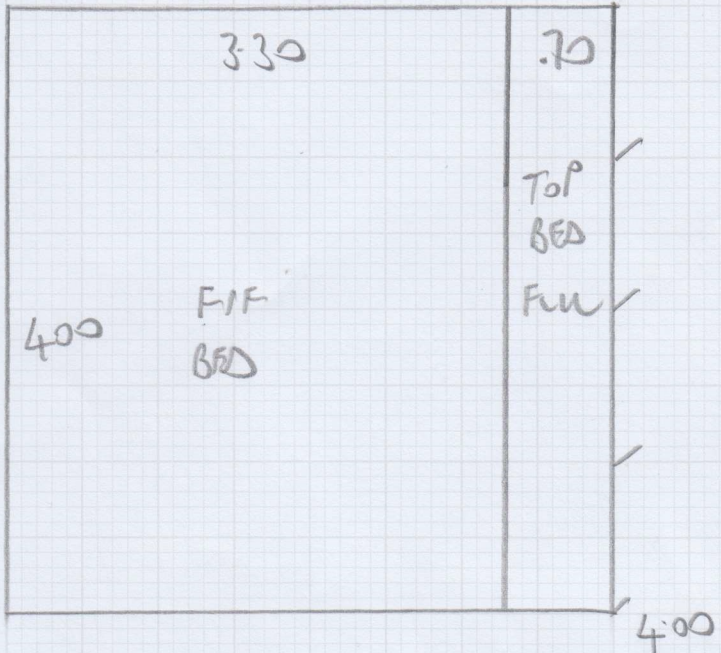


Job No: F29245  
 Name: SMW PROPERTIES  
 Address: 2 GAYTON ROAD  
 NW3 ITX  
 Tel: \_\_\_\_\_  
 Sheet: 1 OF 5



NEW ENGLAND  
 WOOD STOCK

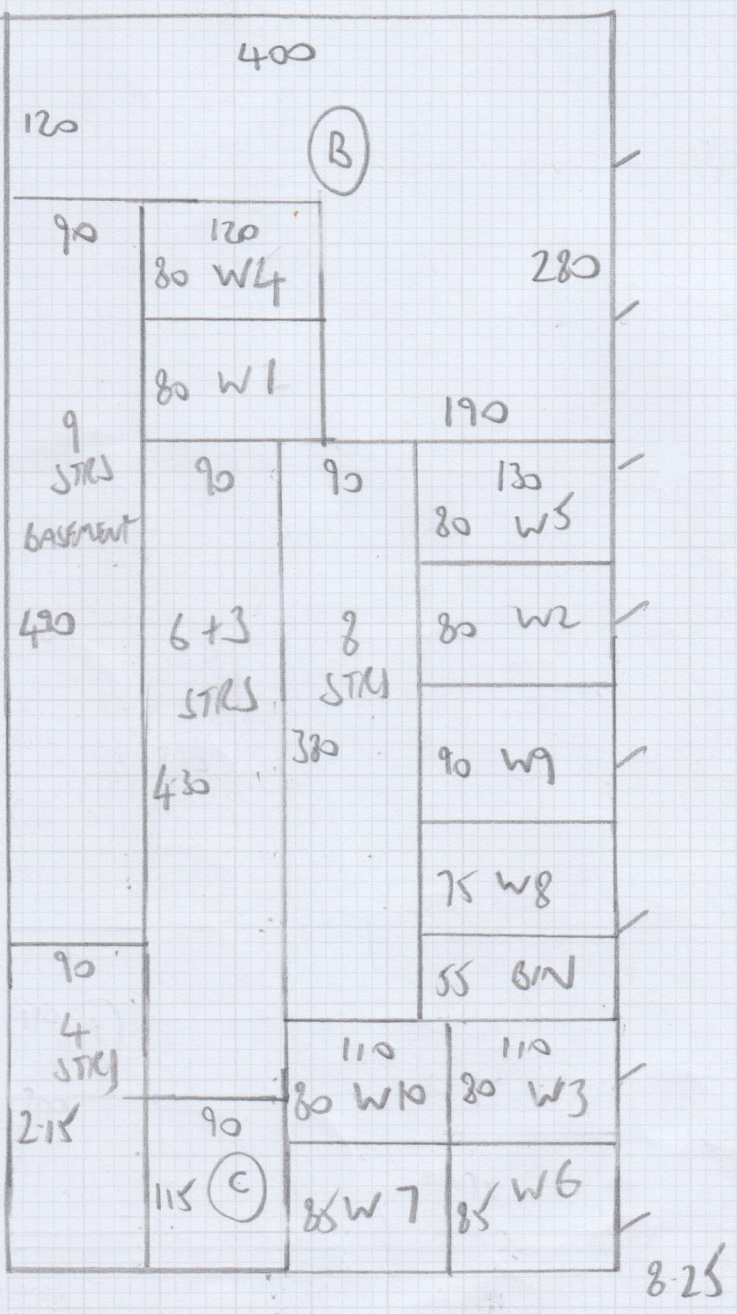
4'00 - } CIP  
 8'25 - }

3'80 - TOP BED  
 2'80 - TOP DRESSING RM

18'85 FIF BED (ALREADY CUT)  
 22'50 x 4'00 FF BED

= 90m<sup>2</sup>

25'00 x 4MTR  
 ROLL ORDERED



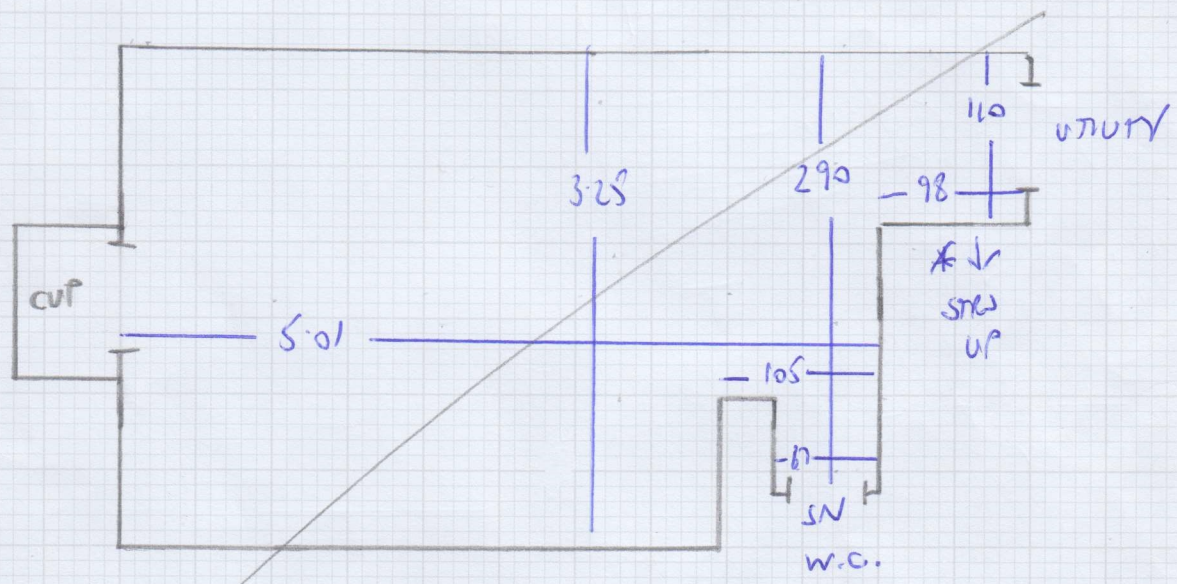
8'25



GIF STANDS TO BASEMENT  
 7 W 81x72 X  
 8 W 92x61 X  
 9 W 108x70 X  
 10 W 73x70 X  
 9 SMC 75x50 X  
 BASEMENT \*

Job No: F29245  
 Name: SMW PROPERTIES  
 Address: 2 GAYTON ROAD  
 NW3 1TX  
 Tel:  
 Sheet: 2 of 5

BASEMENT ROOM  
 (IN CASE)



SOME SORT OF BOARDING  
 LOOKS TONGUE & GROOVED AND OVER  
 CONCRETE FLOOR.



mrcarpet

REVERSIBLE CARPET

Job No: F29245

Name: SMW PROPERTIES

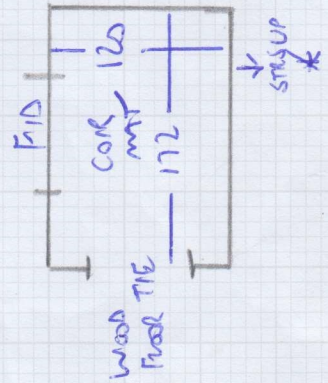
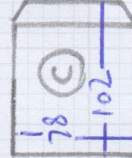
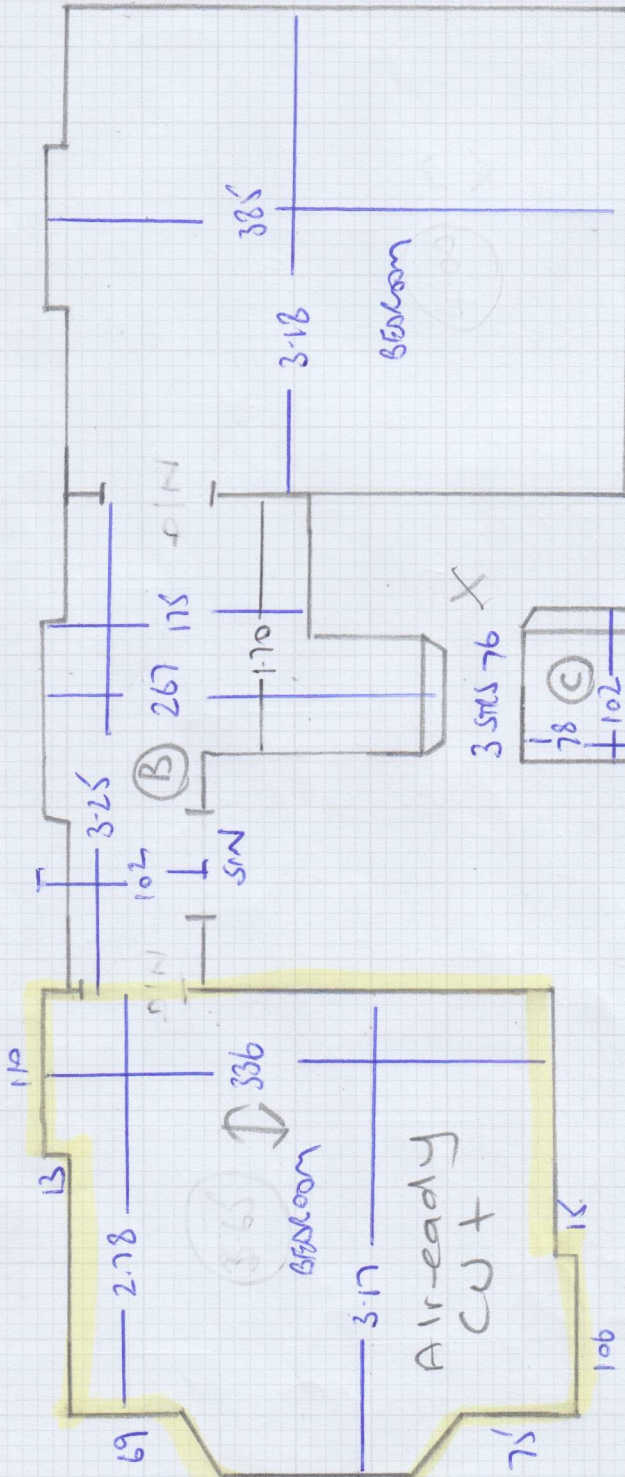
Address: 2 GAYTON ROAD

NW3 1TX

Tel:

Sheet: 3 OF 5

FIRST FLOOR





F2924S

~~F2949Z~~

~~FREEMAN~~

~~25 WHITMORE COUN~~

~~NW10 SHG~~

50FS

Bedroom

FOR

F2924S

