

2 x Bedrooms

Job No: F29255

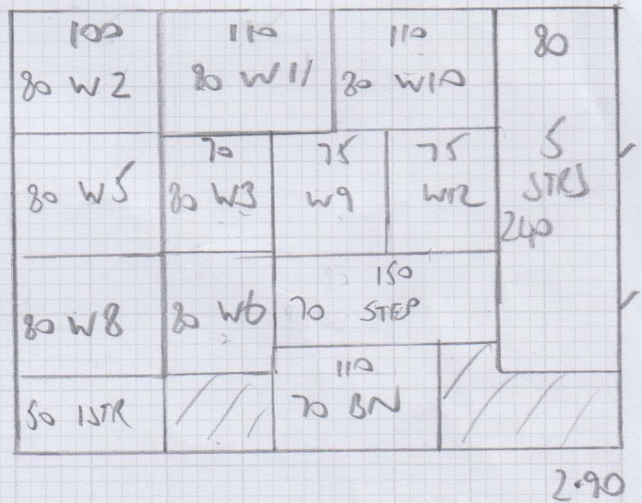
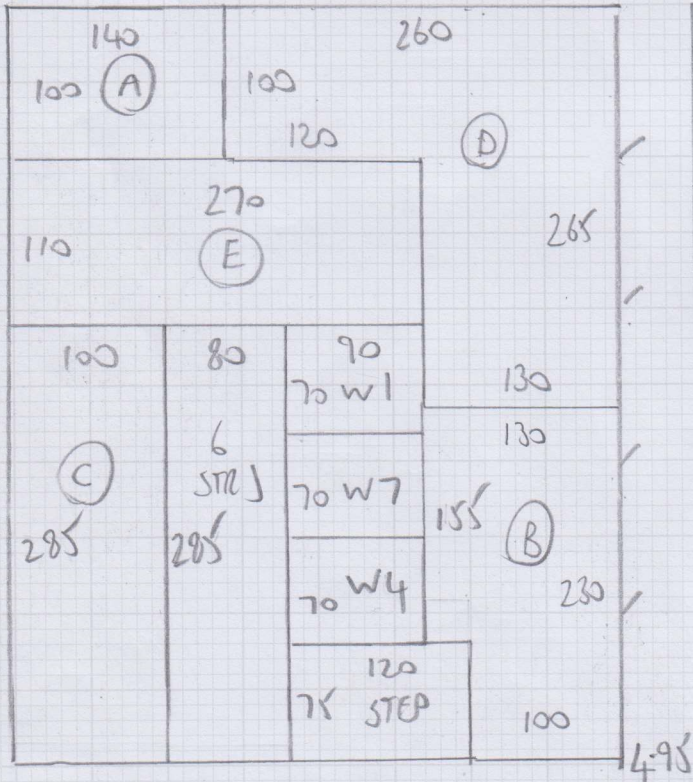
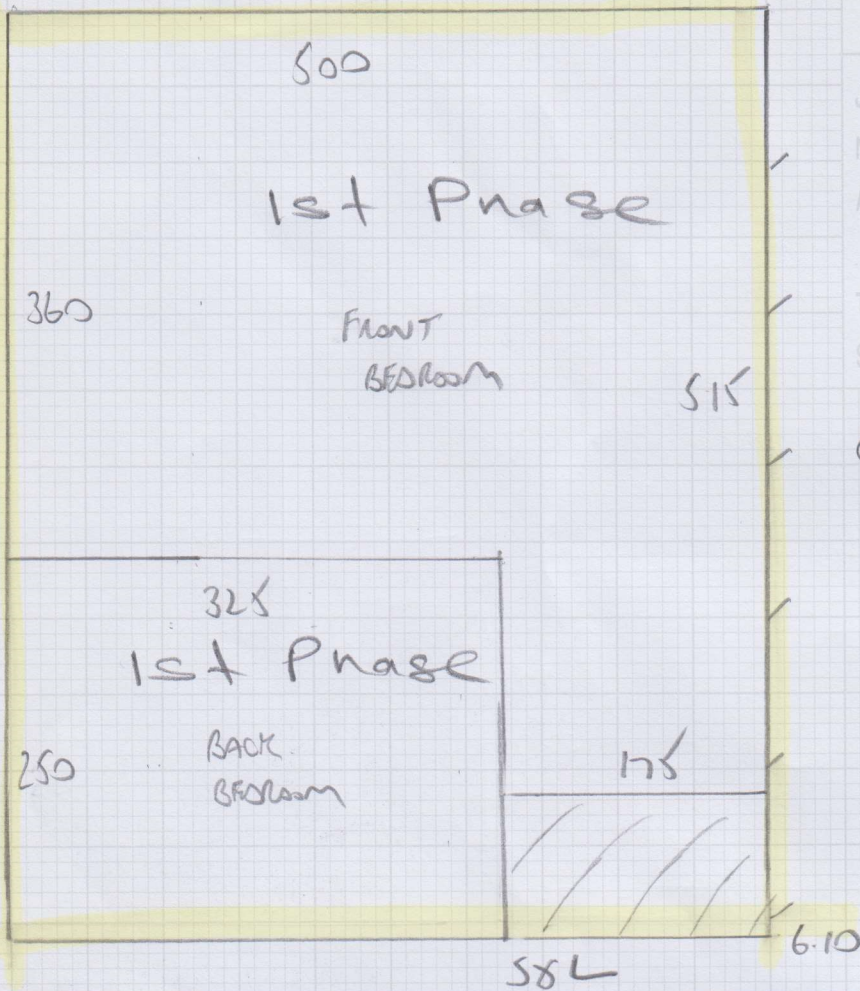
Name: WILLIAMSON

Address: 40 COBBOLD ROAD
W12 9LW

Tel:

Sheet: 1 OF 2

GUEST GUL - 01
(PRALINE)

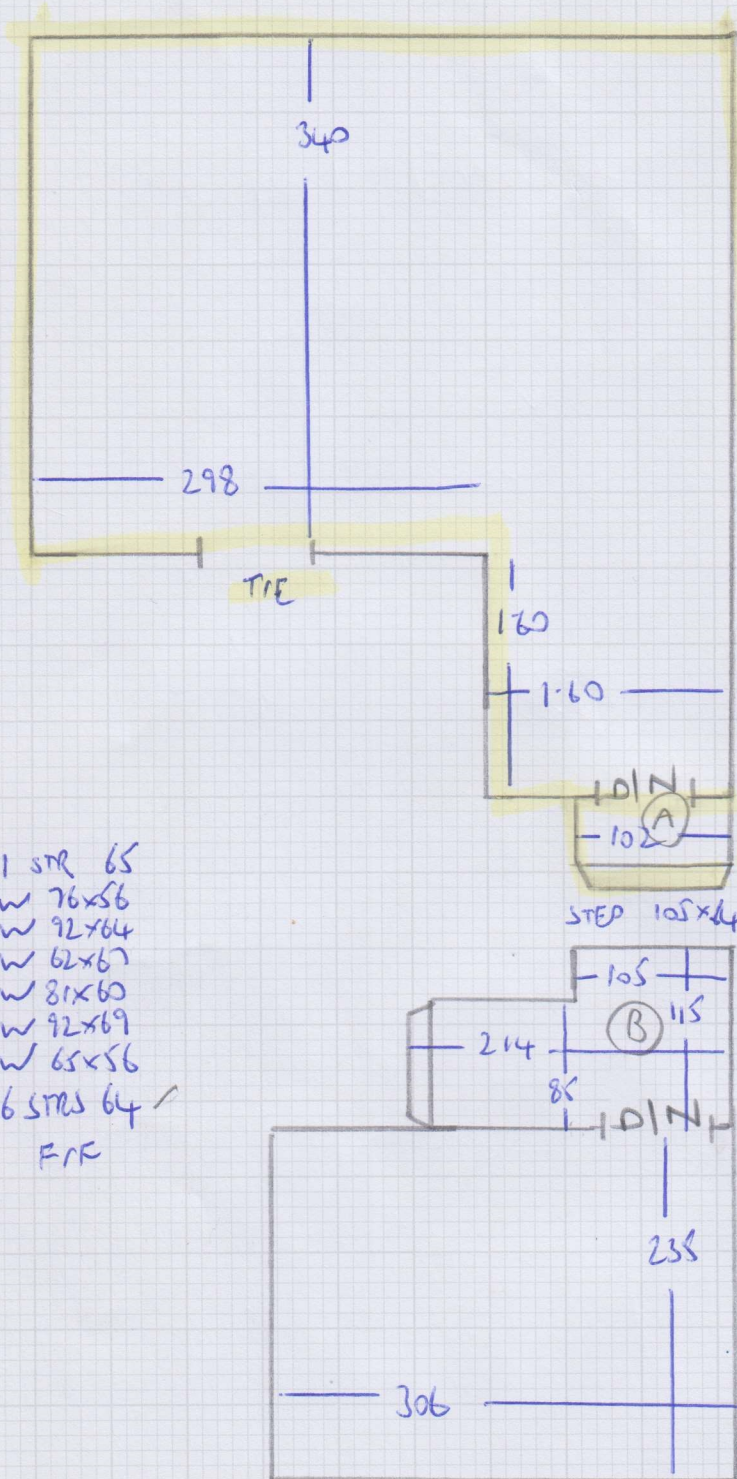


$$\begin{array}{r}
 4.95 \\
 2.90 \\
 \hline
 7.85\text{M} \times 4.00\text{M} \\
 = 31.4\text{M}^2
 \end{array}$$

FLORENCE
FLO-04 (MOSS TONE)

(NEW) TOP FLOOR

Job No: F29255
 Name: WILLIAMSON
 Address: 40 COBBOLD ROAD
 W/2 9LW
 Tel:
 Sheet: 2 of 2

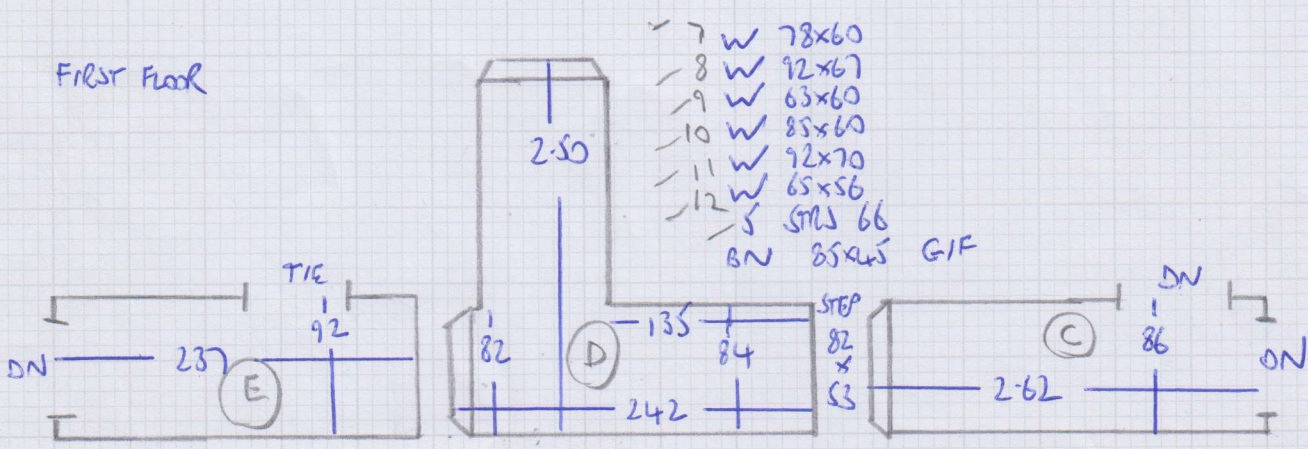


- 1 STR 65
- 1 W 76x56
- 2 W 92x64
- 3 W 62x67
- 4 W 81x60
- 5 W 92x69
- 6 W 65x56
- 6 STRS 64
- FR

Run Carpet Thru

Run Carpet Thru

FIRST FLOOR



- 7 W 78x60
- 8 W 92x67
- 9 W 63x60
- 10 W 85x60
- 11 W 92x70
- 12 W 65x56
- 5 STRS 66
- BN 85x45
- GIF