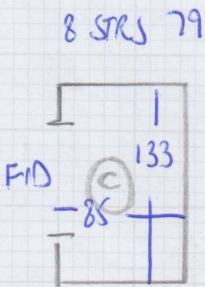
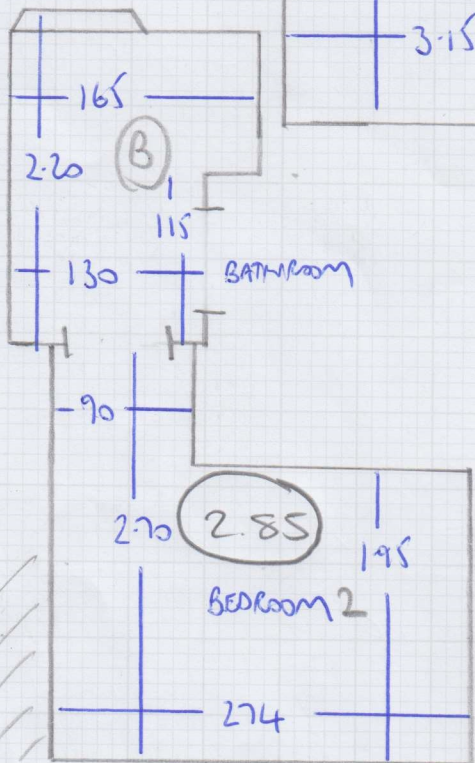
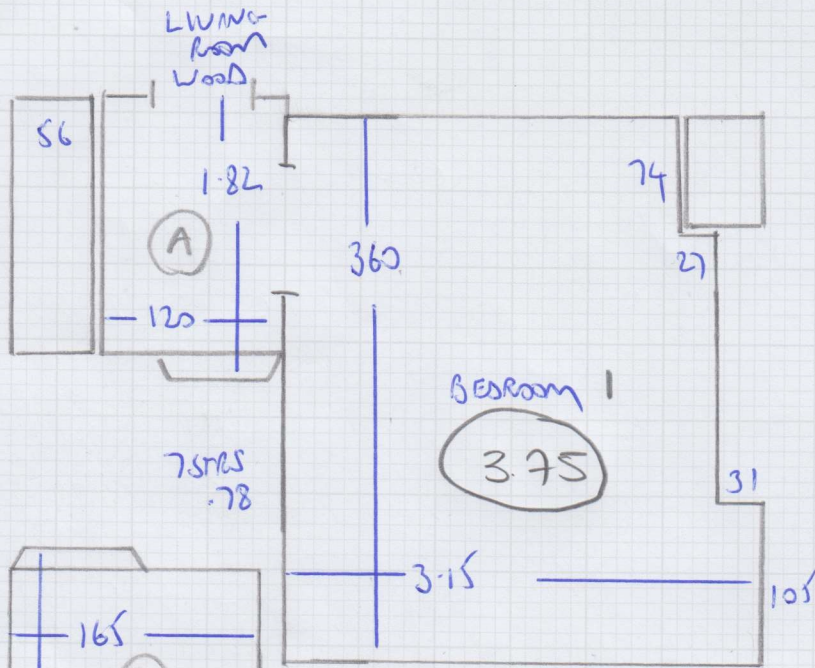
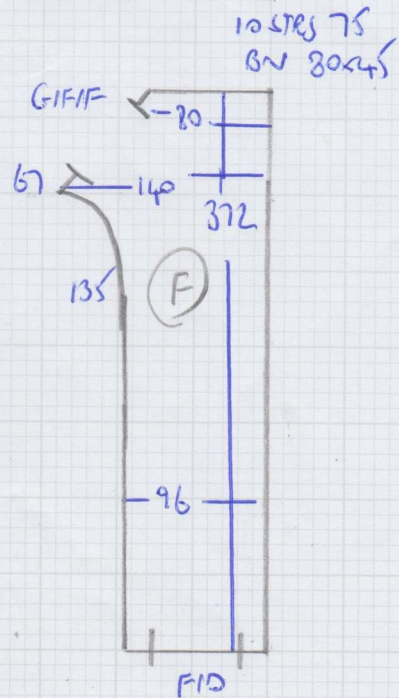
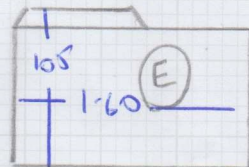
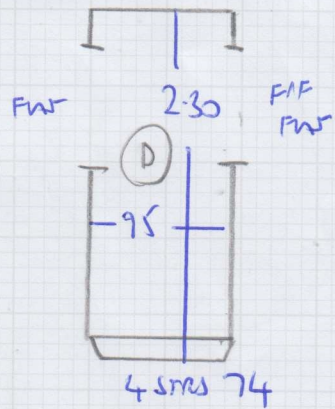


Job No: F29289
 Name: INCE - GREEN
 Address: 2ND Floor Flat
 24 BRAMBER RD W14 9PB
 Tel: _____
 Sheet: _____ of: _____



COMMUNAL AREAS





mrcarpets

REPAIRS • LAYERS • FITTING

Job No: F29289

Name: INCE GREEN

Address: 2FF, 24 BEAMER RD, W14

Tel:

Sheet: of:

BED 1 - 3.75 x 4M

BED 2 - 2.85 x 4M

CP - 5.50 x 4M

