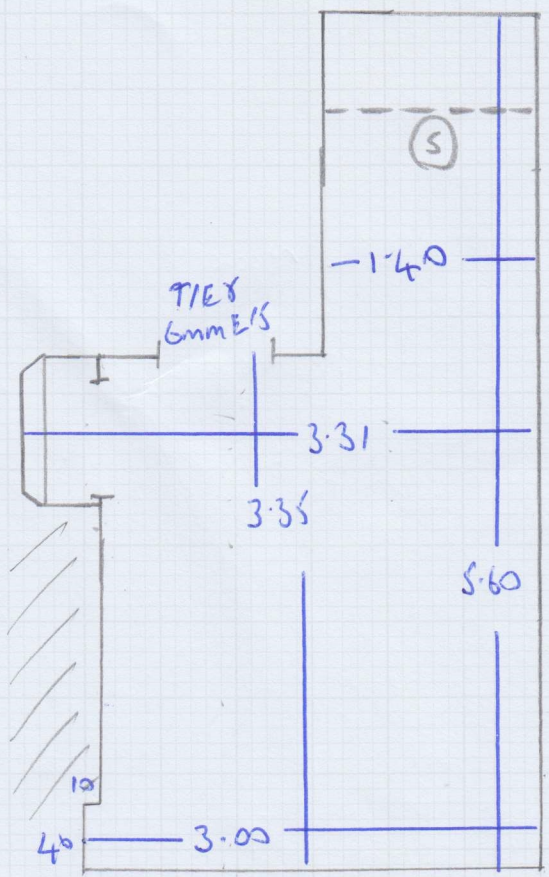


Job No: F29326  
 Name: PEASE  
 Address: 22 BREGAN ROAD  
 W6 8PU  
 Tel:  
 Sheet: of:

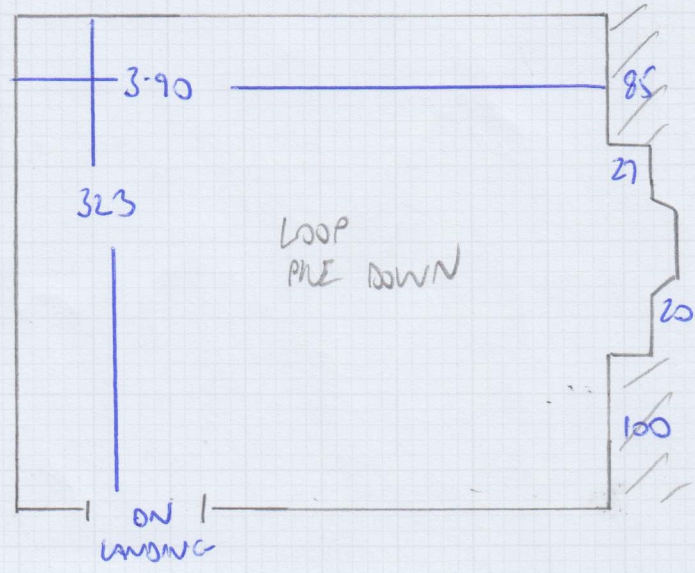
TOP FLOOR

- 1 W 85x62
  - 2 W 102x68
  - 3 W 71x62
  - 7 STMS 73
  - 4 W 83x61
  - 5 W 103x69
  - 6 W 70x62
- FIRST FLOOR



BAD UPDRAUGHT  
 SOLING IN ROOM  
 5 STAIR  
 FURWEAVE  
 DOWN

FIRST FLOOR FRONT

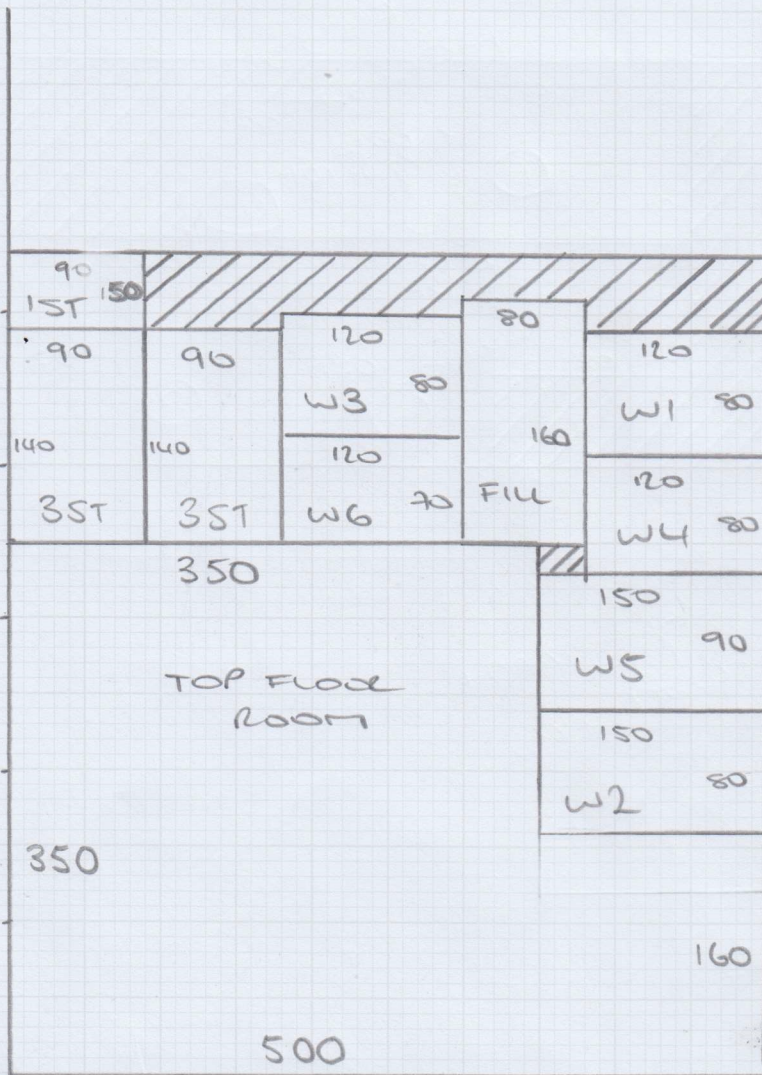


SILICONE  
 6 TUBES - 190  
 LABOUR - 675  
 PNE - 40  
 £305



mrcarpet  
EXPERT CARPET LAYERS

Job No: F29326  
Name: PEASE  
Address: 22 BLECON RD  
W6 8PD  
Tel: \_\_\_\_\_  
Sheet: \_\_\_\_\_ of: \_\_\_\_\_



VENEZUELA  
F/F 660 - 335 x 4M  
(13.4 M<sup>2</sup>)

CP - 5.40 x 5M