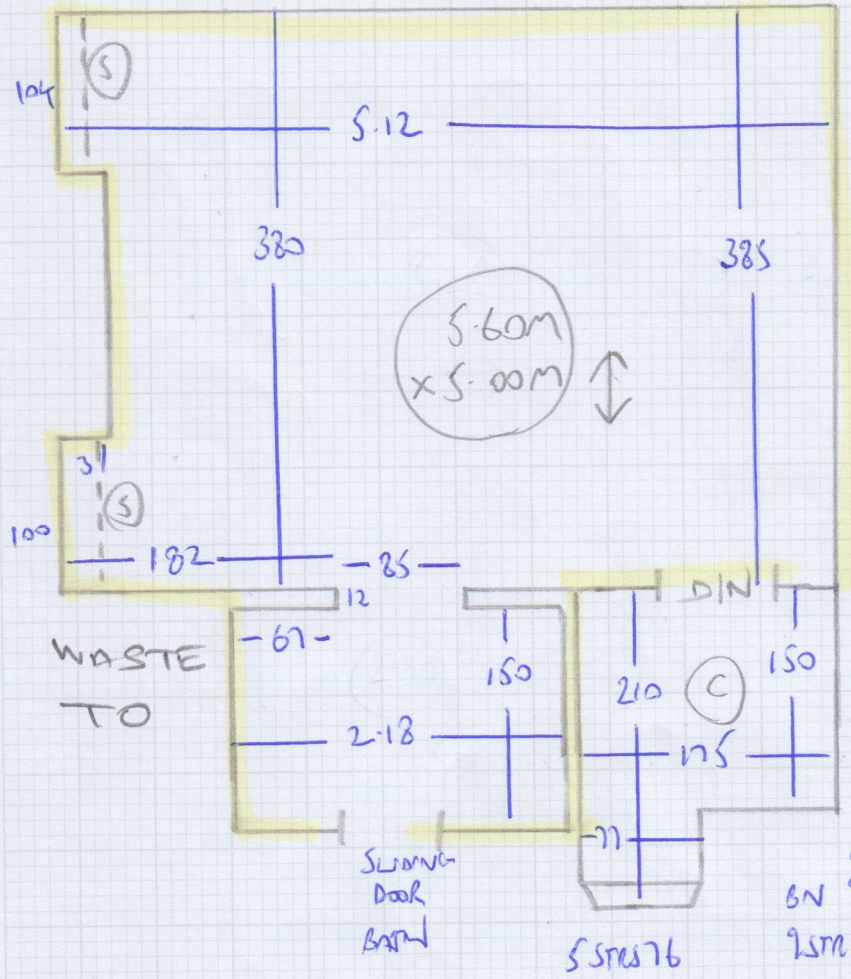
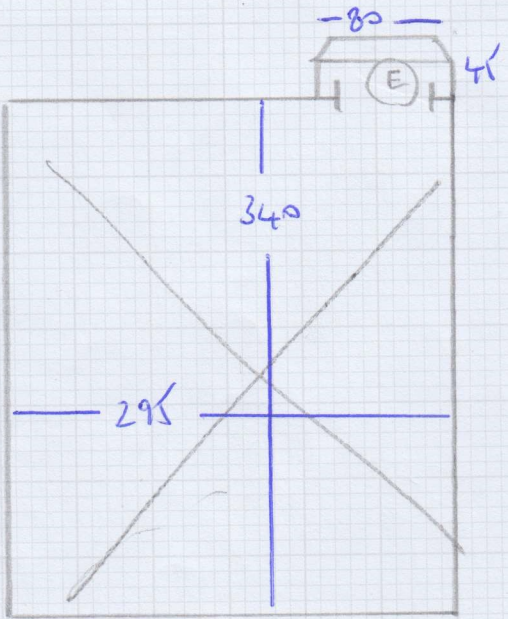
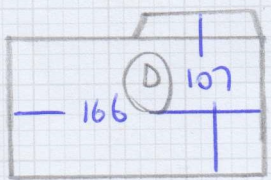


FIRST FLOOR

Job No: F29369
 Name: SCHWARZ
 Address: 108 HURLINGTON RD
 SW6 3NP
 Tel:
 Sheet: 1 OF 2



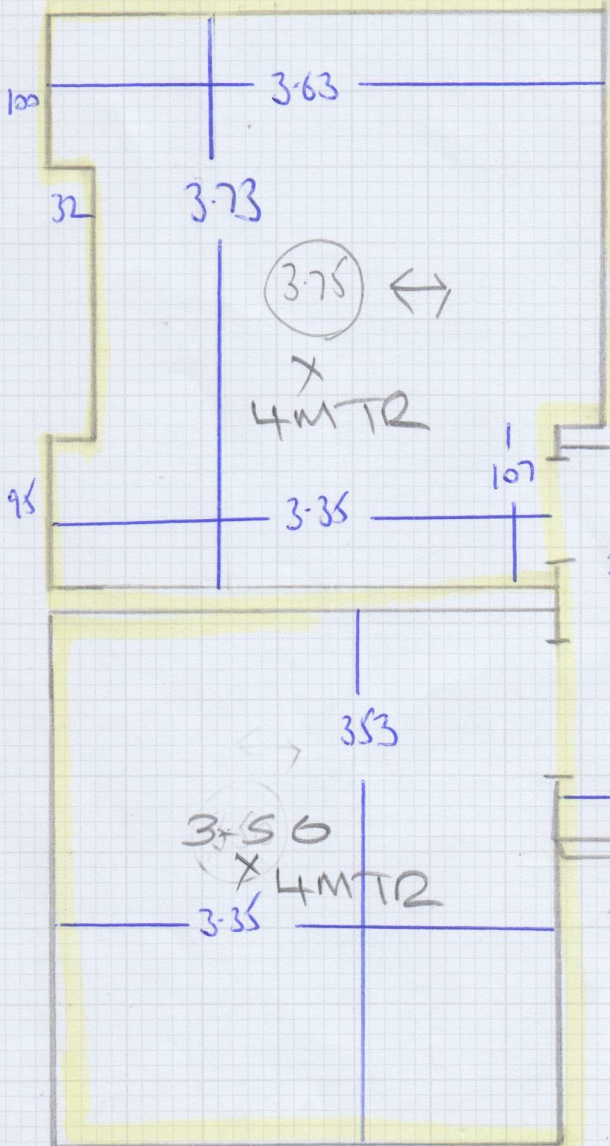
CAMBERLEY
 CURLOME 01
 5-60 x SMTR



7.41
 6.80

TOP FLOOR

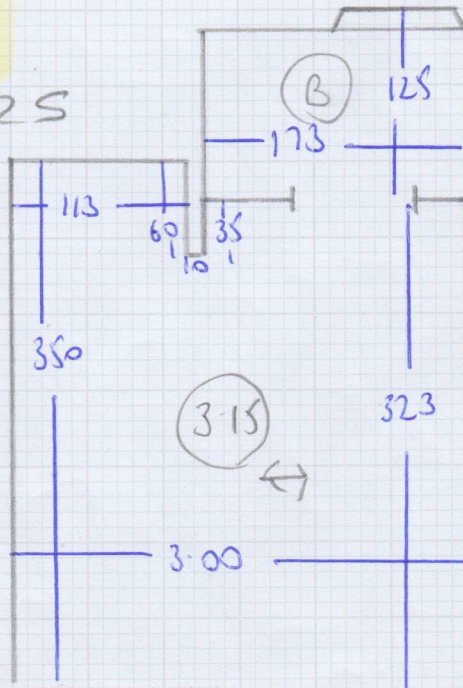
Job No: F29369
 Name: SCHWALZ
 Address: 108 HURLINGHAM RD
 SW6 3NP
 Tel:
 Sheet: 2 of 2



ZURICH
 ZUR-625
 Bathroom

3-75
 4MTR

ZURICH ZUR-625
 3-50 x 4MTR
 EVITA SNOW



CAMBRIDGE CLASSIC
 CURTONE 01

8 STPS 81

7 STPS 88