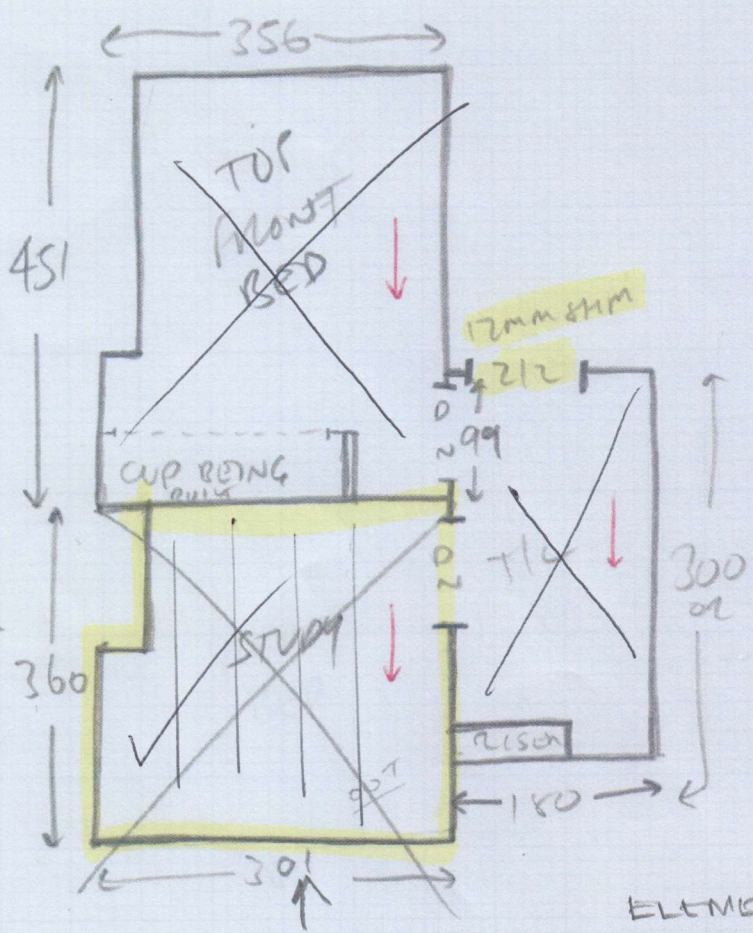


F 29782
~~S34524~~
 GOLDING
 22 GOWAN
 AVE, SW6 6RF
 1/2



ELEMENTS LONDON

AFRICA ORYX
 3-75 x 4MTR

* cut down to
 3-75 x 3-20 (TAKE WASTE)