

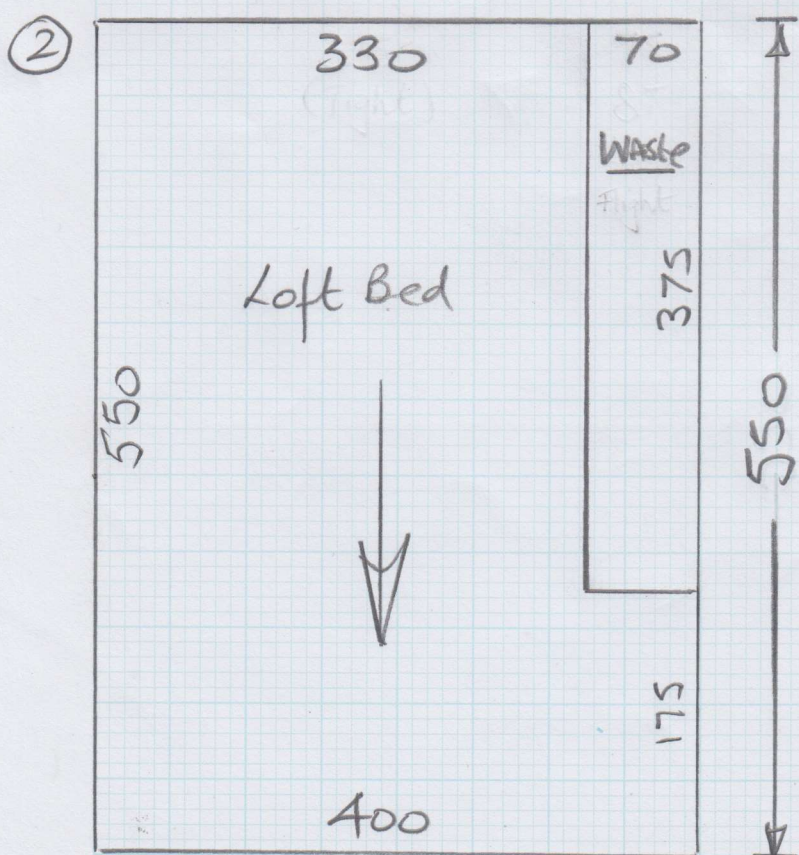
4m Plan

mir carpet  
DESIGNS FOR FLOORS

Job No: P27298  
Name: C.C.E.  
Address:  
Tel:  
Sheet: 1 of 5

Sloane Twist 42 (stock)  
Col. SLO-4225

- Cut Plan ① 815 x 400
- Cut Plan ② 550 x 400
- Cut Plan ③ 480 x 400
- Cut Plan ④ 470 x 400
- 1st flr Back Bed 290 x 400
- 26.05 x 400
- = 104.20m<sup>2</sup>



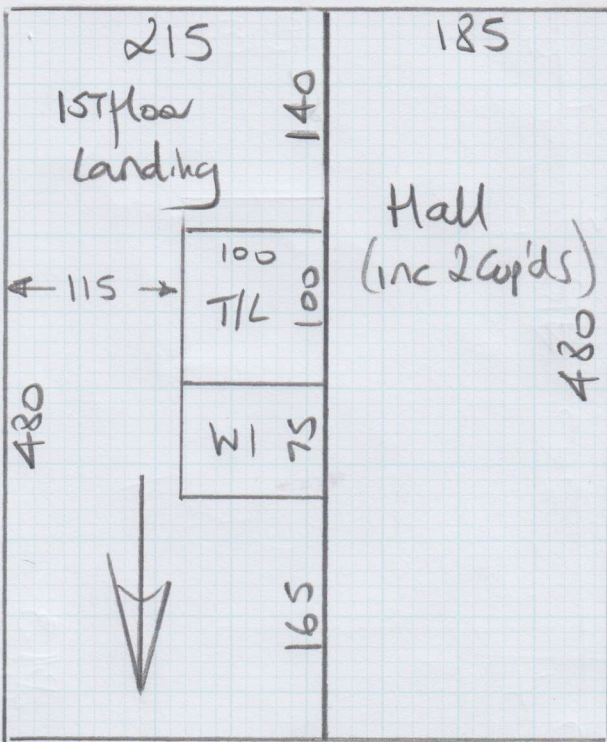
Classic Limestone  
Toucan - 9005

- Loft Shower 160 x 200
- 1st floor bath 270 x 200
- = 8.60m<sup>2</sup>

Classic Limestone  
Venturi 4094

- Grand floor WC 115 x 200
- = 2.30m<sup>2</sup>

③



mrcarpet

Job No: P27298

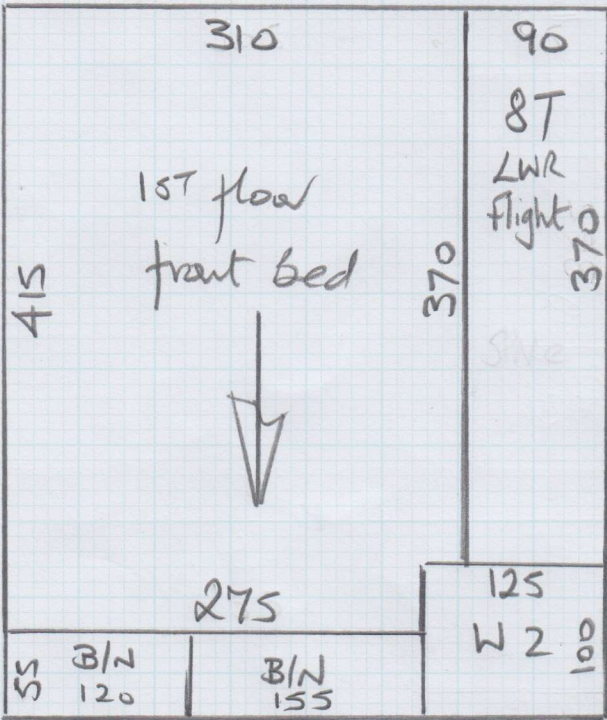
Name: C.C.E.

Address:

Tel:

Sheet: 2 of 5

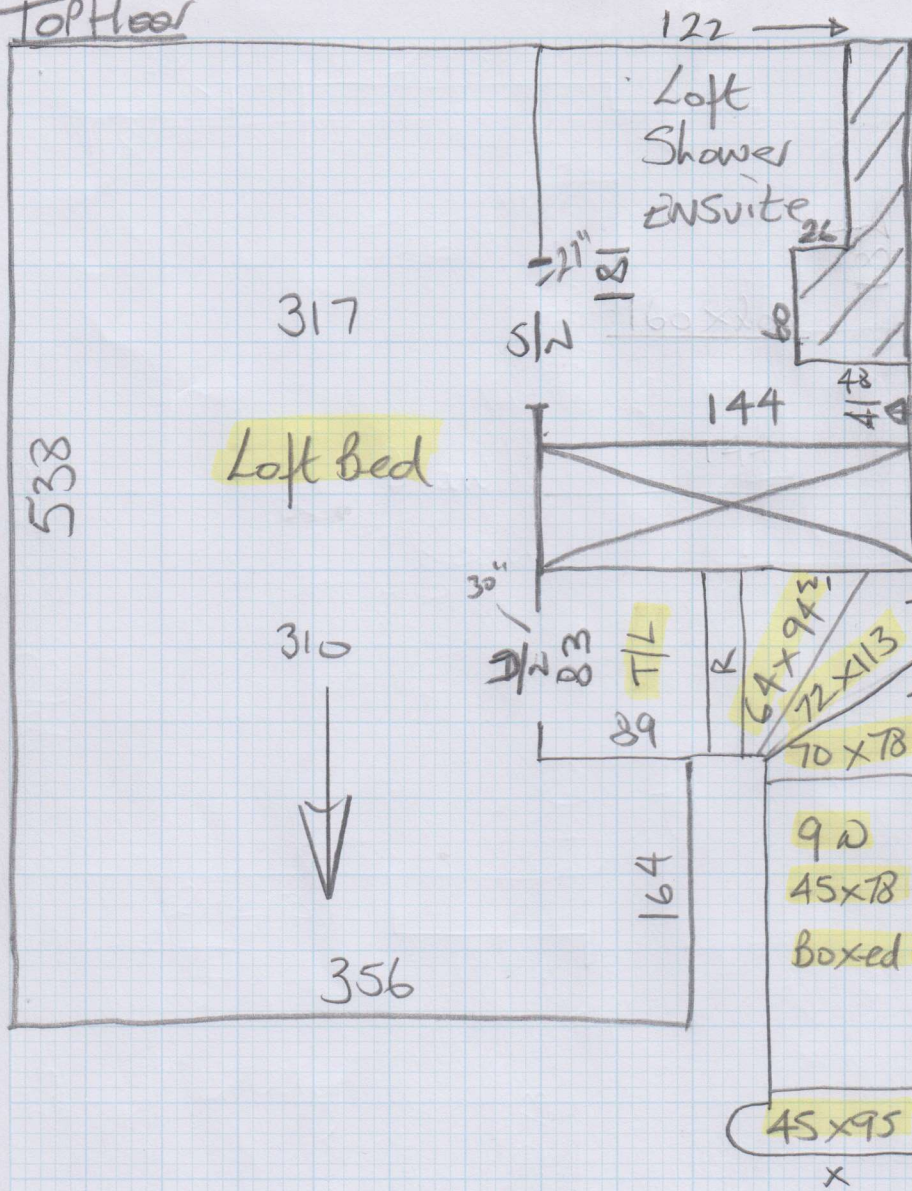
④



\* Be Carefull not to Mark Walls when taking Carpets up the stairs.

\* Need Double doorwidth Tile edge for Junction with Kitchen tiles

Top Floor



mrcarpet  
DESIGNS FOR FLOORS

Job No: P27298

Name: C.C.E.

Address:

Tel:

Sheet:

3 of 5

Builders ply down  
CounterSink + Screwed  
Lay 1/1/5 over  
top.



Ground floor

Kitchen - 20mm Tiles

mrcarpet  
DESIGNS FOR FLOORS

Job No: P272 98

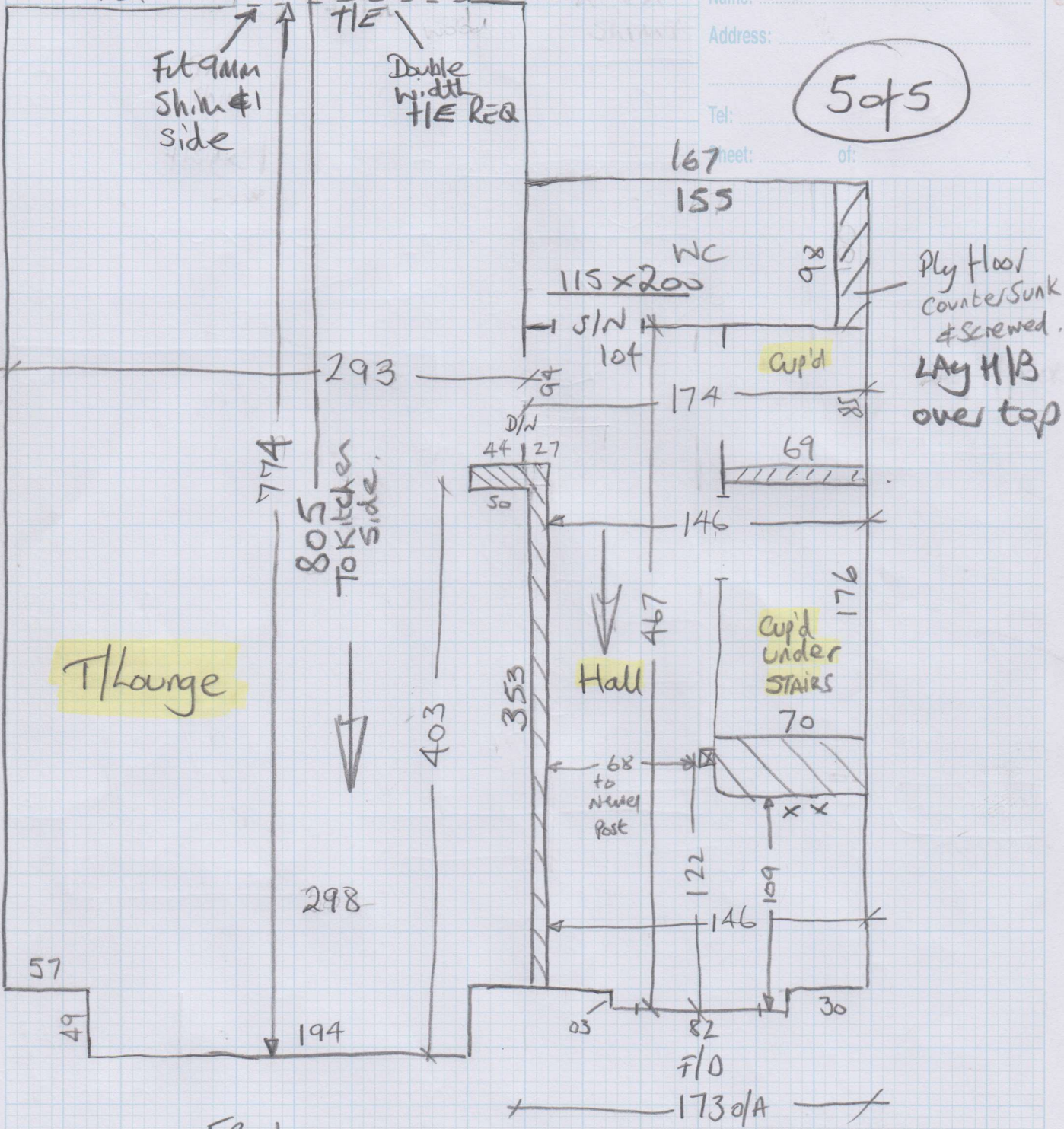
Name: C.C.E.

Address:

Tel:

5 of 5

Sheet: of:



Front.  
Wood floors (OK)