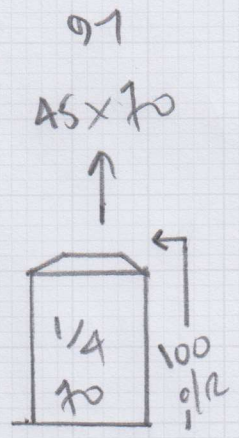
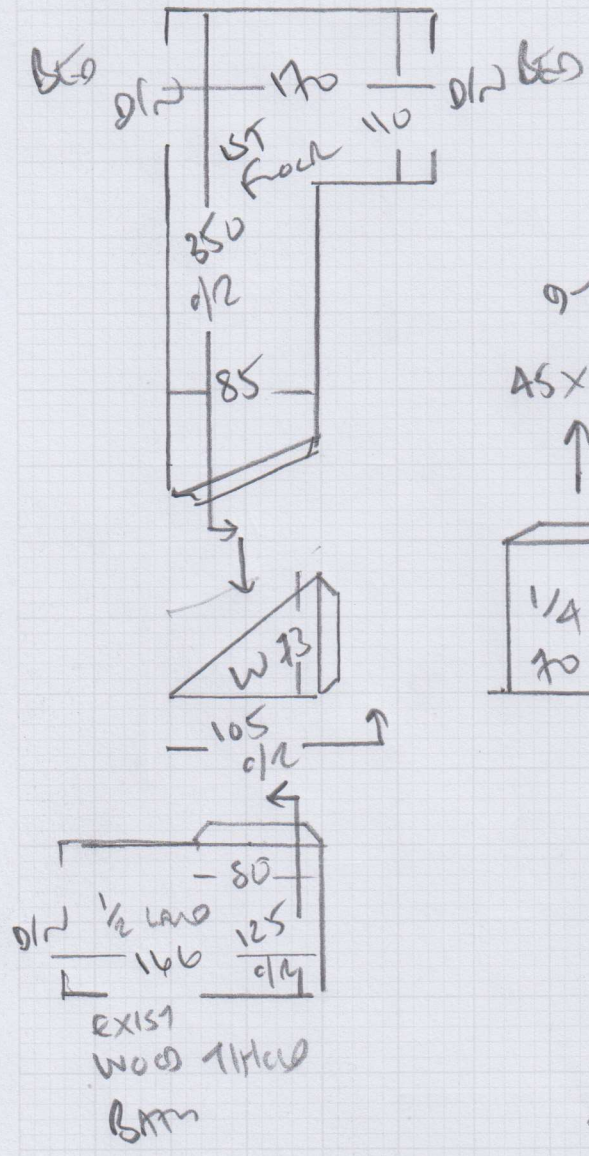


\* See Customer for parking permit

Job No: P27421  
 Name: HAZLEWOOD  
 Address: 16 BEVERLY PATH  
 SW13 0AN  
 Tel:  
 Sheet: 1 of 1



Heather Twist Supreme  
Col. HEA-5021  
 Plan 370 x 400

14.80m<sup>2</sup>

