

Job No: P29517
 Name: Hdwe
 Address:

Tel:
 Sheet: 1 of 1

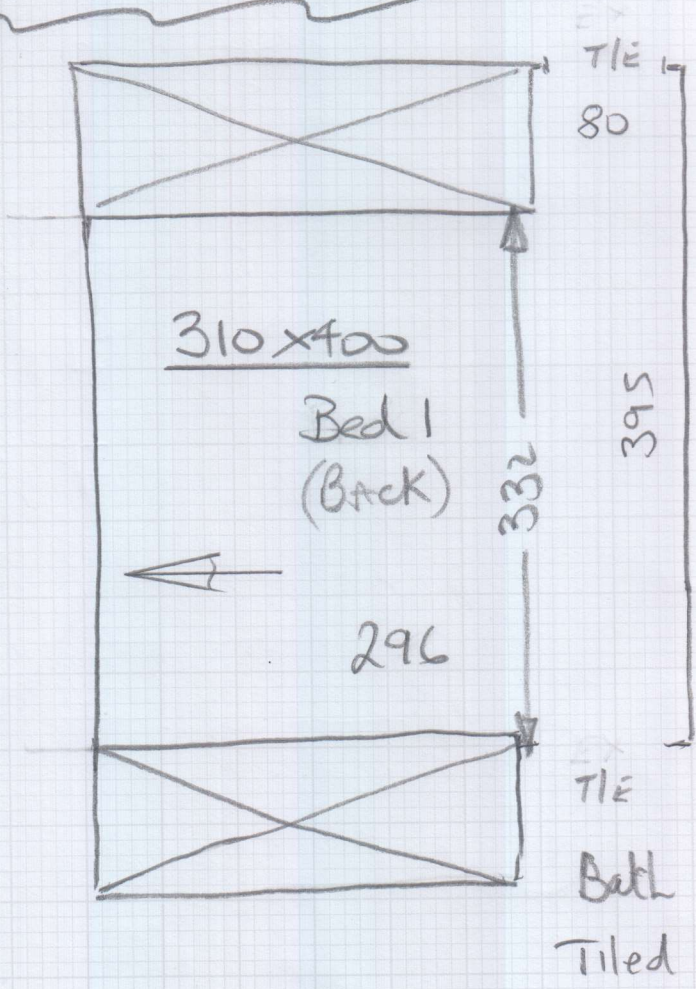
Swing 'Clearance'
Col. 104.

Bed 1 310 x 400
 Bed 2 265 x 400
 575 x 400
 = 23m²

* Must hoover on Completion

* Be Careful Not to MARK Newly Painted Walls.
 Hall Eng Wood

u/Lay = 20.50m²



W/ft wool loop
 stuck to Cloud 9
 u/Lay which has
 been tackified.

Currently No ste
 fitted.