

mrcarpets
 Job No: P29709
 Name: Hjortk
 Address:
 (10F2)
 Tel:
 Sheet:

Yonk
 - Yon-231

Cut Plan 610 x 500
 = 3050m²

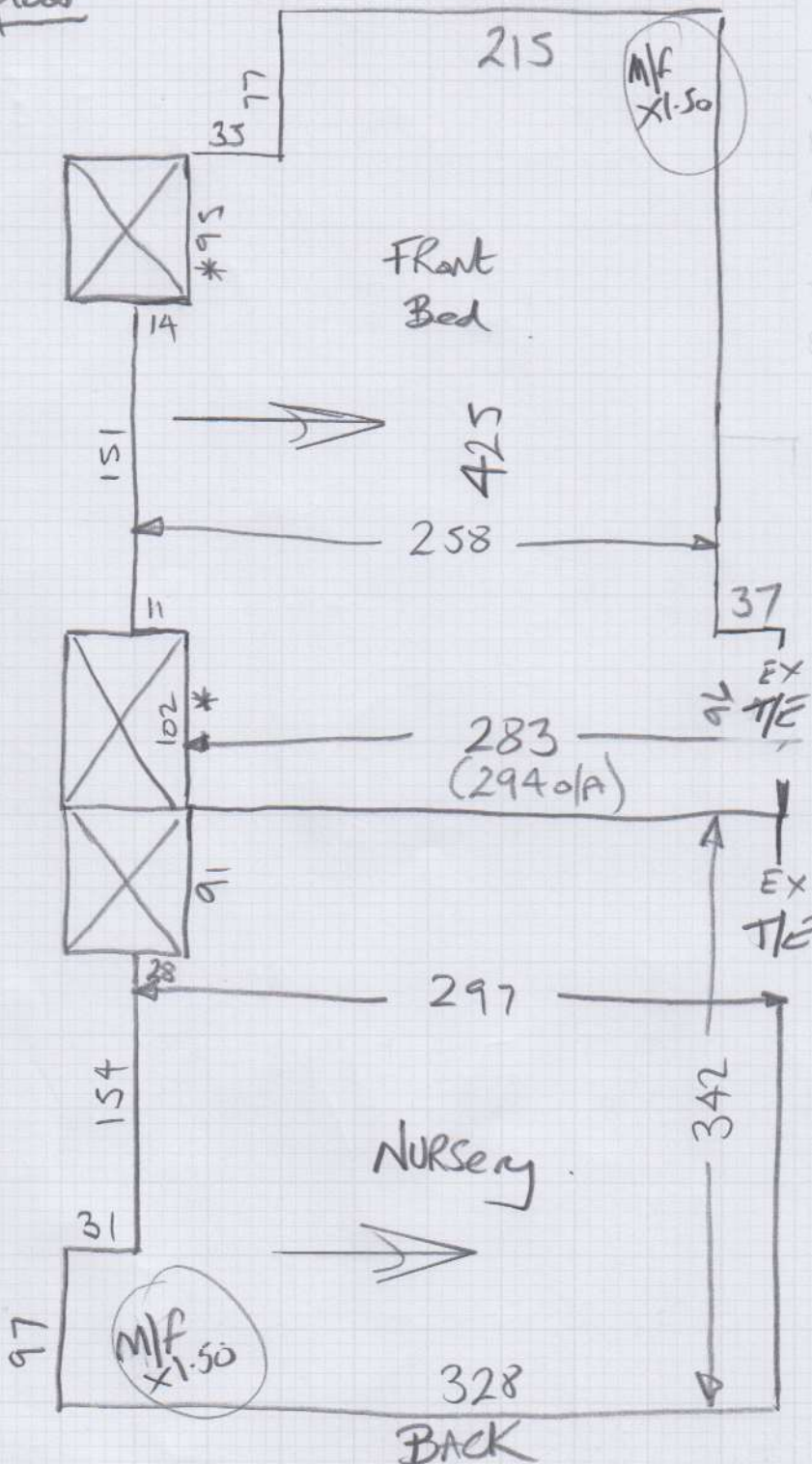
V/LAY = 23m²

Front Bed = 500 x 320
 Nursery = 390 x 340
 Spare = 110 x 110
 = 30500

V/LAY = 23m²

1st floor

FRONT



mrcarpets
 Job No: P29709
 Name: HJORTH
 Address: 20F2
 Tel:
 Sheet: of

1st floor landing
 (Engineered Wood)

PLEASE READ

UPD - Plank loop or 10mm pu.
 Re-use mostly ex s/c + fit New around New W/Robes
 in front Bed (Approx x 3 sticks)
 Re-use ex Solid BRASS Tile edge BARS at landing door.

* Remove pieces of MDF fitted in front of
 the W/Robes as these are temporary.