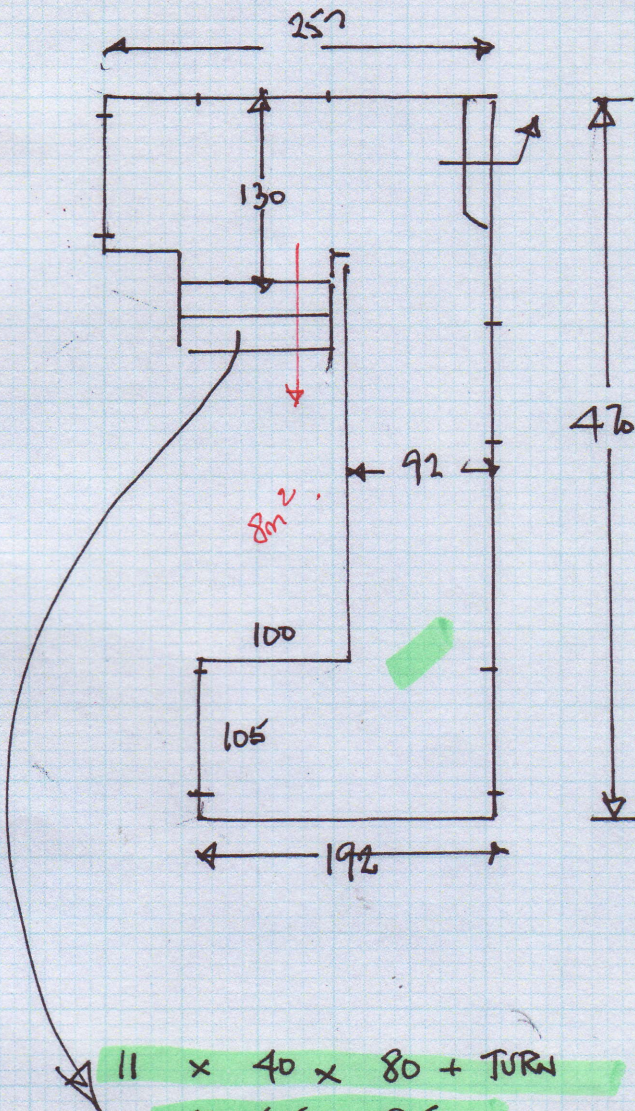


FIRST FLOOR

Job No: R16768
 Name: HEIKKILA
 Address: 115 DORA RD
 SWIG

Tel:
 Sheet: 1 of 2.



FITTERS NOTE:
 MATCH STRIPE FROM LANDING
 TO STAIRS, W3 & BN1 & 2.

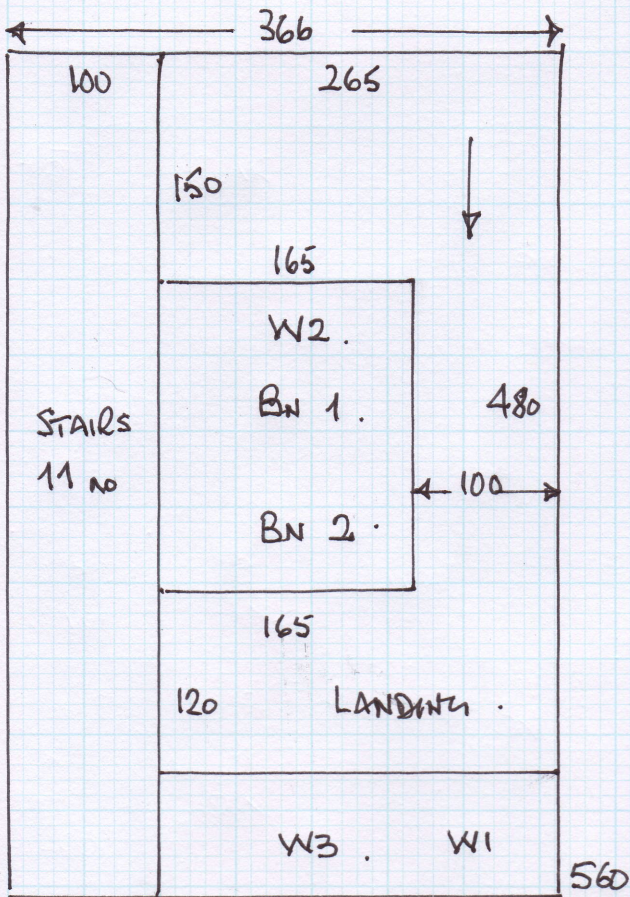
UPLIFT & DISPOSE
 EXISTING GRIPPERS
 & BARS.

- 11 x 40 x 80 + TURN
- W1 65 x 95
- W2 70 x 110
- W3 63 x 73
- BN1 30 x 105
- 20 x 115
- BN2 60 x 110
- 20 x 125

5m²

1/2 13m²

Job No: R16768
 Name: HEIKKILA
 Address: 115 DORA RD
 SW14
 Tel:
 Sheet: 2 of 2.



BRINTONS STRIPE COLLECTION
 - HUMBUC.

560 x 366.