

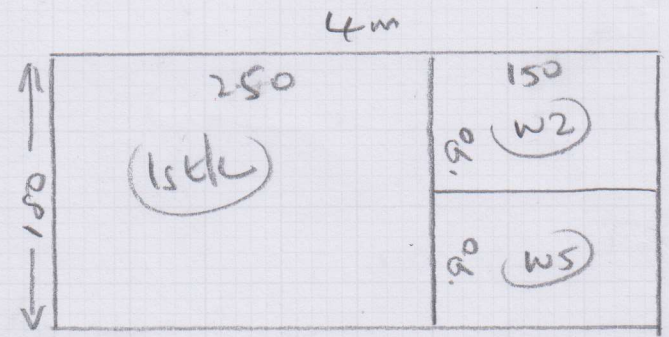
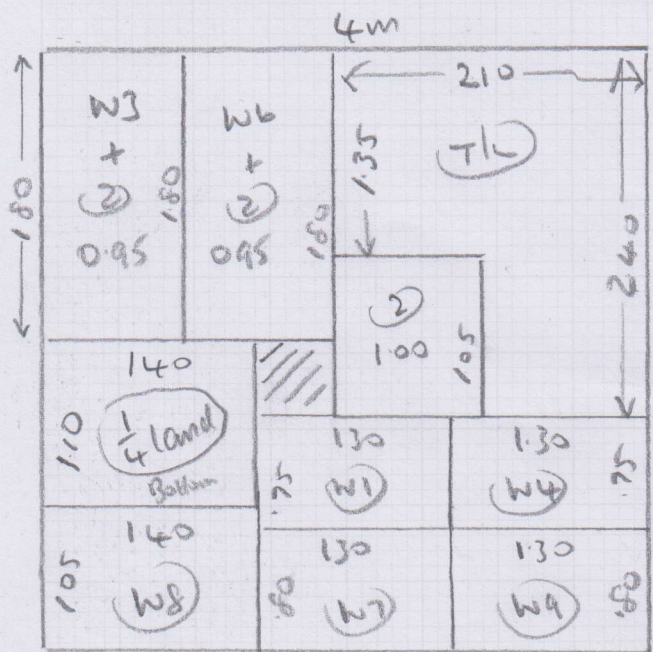
R17780

Mr A Jouliauou
8 Berrylands
Raynes Park
SW20 9HB

Marzine, 107
← 8.60 x 5m

CL Plan 3.95 x 4m
CL Plan 1.80 x 4m
BED 3 2.50 x 4m
BED 1 5.10 x 4m (90°)

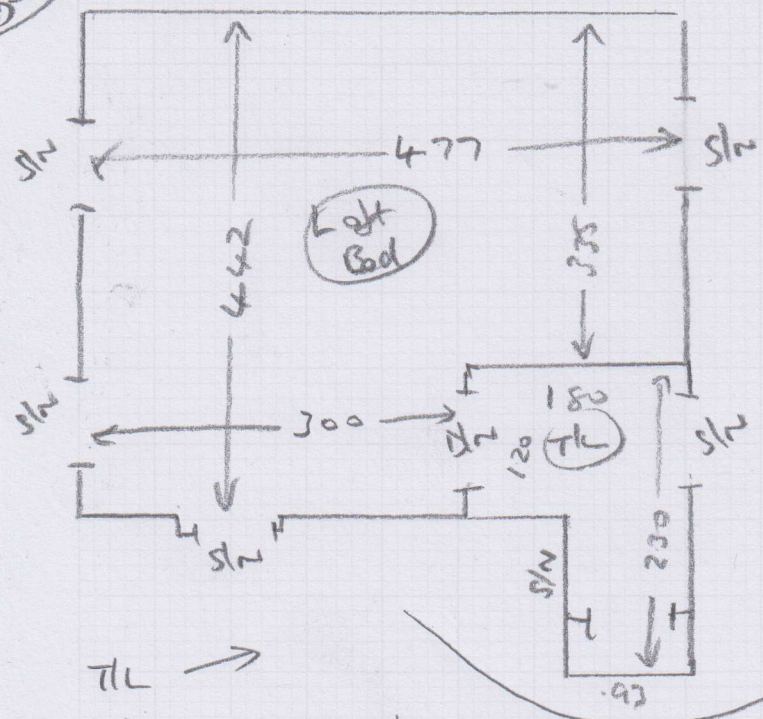
Dressing Room
HIGH PLAINS VINYL
1.50 x 2m
HP/48



1 or 2

Layout

TOP FLOOR



R17780 rpet
 MR. A JOULIANOU
 8 BERRYLANDS
 RAYNES PARK
 SW22 9HB

TOP STAIRS

- TL →
- ② 0.46 x 0.82
- W1 0.66 x 0.98
- W2 0.73 x 1.15
- W3 0.72 x 0.82
- ② 0.46 x 0.80
- W4 0.65 x 0.96
- W5 0.72 x 1.13
- W6 0.70 x 0.77
- ② 0.46 x 0.75
- BLN 0.48 x 1.00

BOTTOM STAIRS

- 1st TL 1.70 x 2.35
- ① 0.42 x 0.82
- W7 0.63 x 0.97
- W8 0.72 x 1.16
- W9 0.69 x 0.83
- ② 0.42 x 0.82
- 1/2 Landing 0.90 x 1.15
- BLN 0.43 x 1.40

VINYL Dressing Room
 1.32 x 1.40

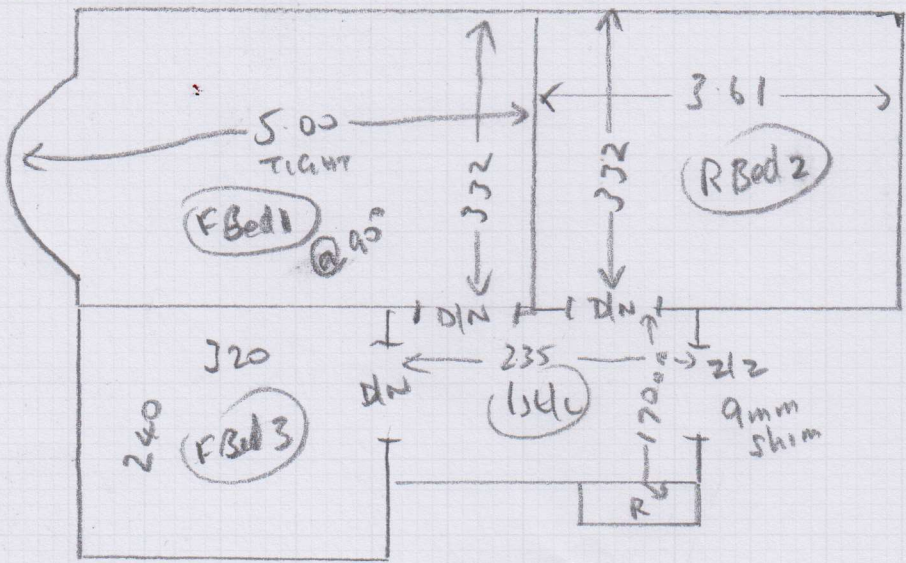
GOOD CHIPBOARD FLOOR
 JUST LAY VINYL ON
 TOP + SEAL EDGES

allays

10mm PU Foam
 for Bedrooms

Formalux for
 Landings + Stairs

1st Floor



2 of 2