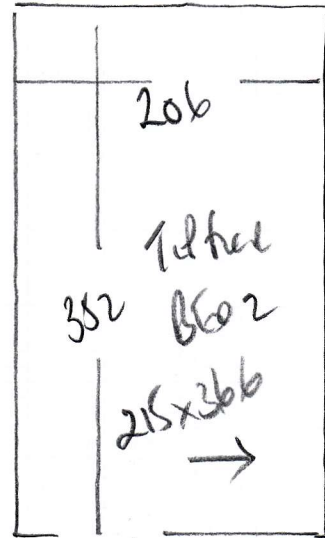
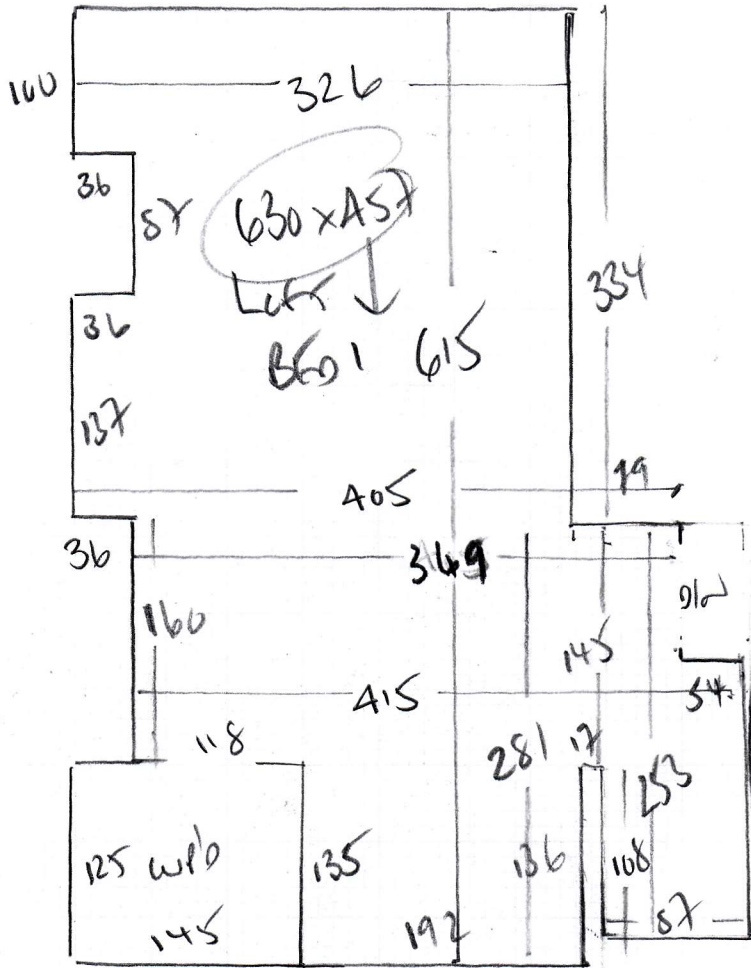


Tot floor 2 bedrooms

R18302
HUMES
116 WILLOW CRESCENT
SW19 3QZ

← 457 →



D/W
Tot width

SMZBURG VIEW
Corner 119

NEW LEFT CONVERSION

WOOD FLOORS

NO WHITE

DOORS OK

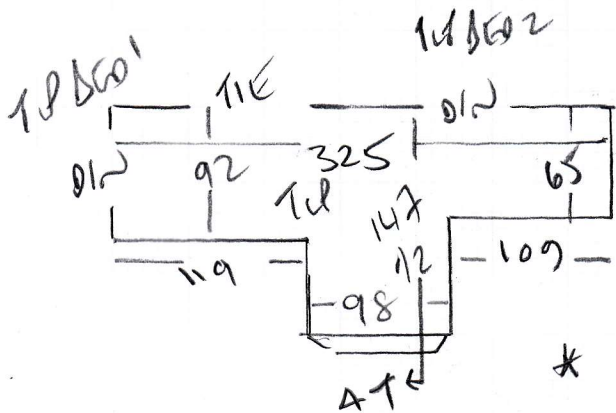
POLISHED AIR DUNS AS OPTION FOR AIR DUNS

BED 1 630 x 457

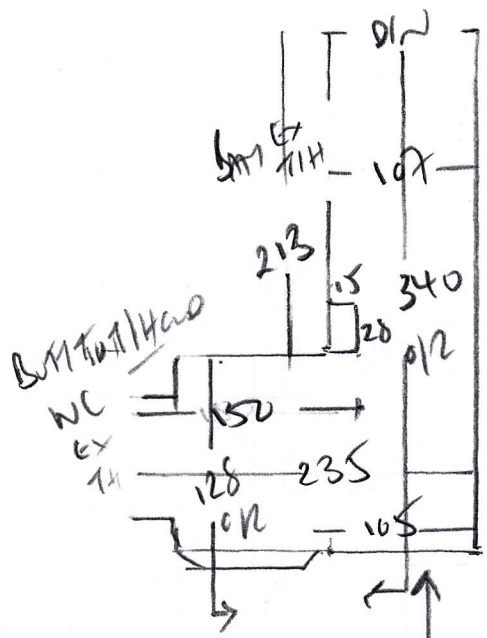
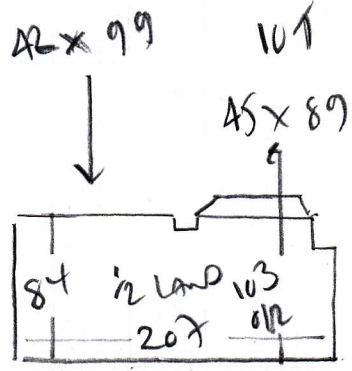
28.80m²

BED 2 215 x 366

7.86m²



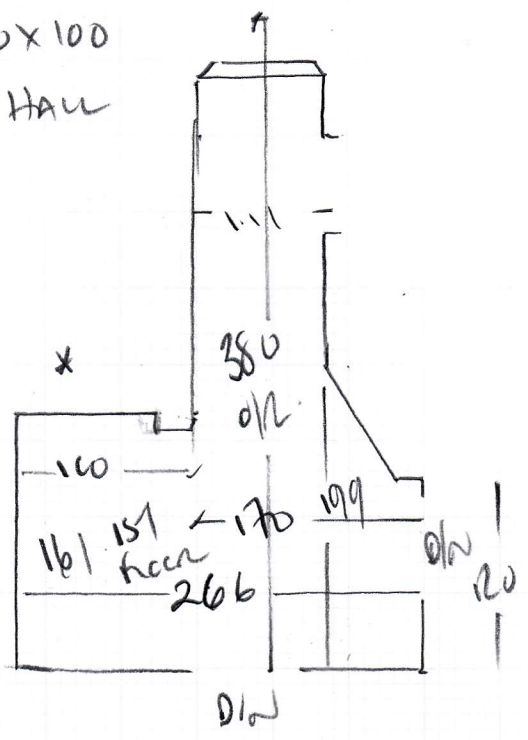
R18302
HONES
16 WIND CURTAIN
Swing



WOOD floors
White Concrete PT Forming
Air Bars + optional perlite Air

147
↓ 40 x 85
Blow 40 x 100
To Hall

27
↑ 45 x 99



R18302

2nd call of 3

Notes for Measure

Estimator: Colin

Mrs Rebecca Hughes, 16 Wilton Crescent

Date of Measure: Thu, 23 Jan 20

At: 9/9.30am

Site Address:

16 Wilton Crescent
Merton Park

LONDON SW19 3QZ

CONTACT: As customer details

Mobile	Home	Office
07887-722419		

Customer Address:

16 Wilton Crescent
Merton Park
LONDON

SW19 3QZ

Email:
rfarrell_2000@yahoo.com

Areas to be done and Description of Measure

2 beds please quote for Salzburg and Salzburg Deluxe in col 119

Instructions and Estimators comments

Not entered

Must Read!

Not entered

Office Ref: R18302

Mrs Rebecca Hughes, 16 Wilton Crescent

Date of Measure Thu, 23 Jan 20

At 9/9.30am

Floor: Wood / Concrete / other _____

S/edge: Wood/Concrete/No pin/existing (if existing, allow NEEDS ALL NEW ___ sticks to supplement where necessary)

Sticking Req'd: Yes No Type: Fastset/Other

Underlay: Re-use Existing / New required

Type: 42oz Felt / Fomalux / PU Foam / Luxury PU Foam / LowTog / Durafit

Doorbars: at office Alloy / Satin Ali / Polished Ali / Anod / Solid Brass / Chrome / Nisheen Seam/Wood/T/Holds: colour _____

Door Clearance: OK / Low (advise on quote)

Uplift: No / Yes (if "Yes" - what type?) NEW BUILD LEFT CONSTRUCTION

Furniture: No/Yes (if YES, please specify the following) - 1 man / 2 men (Fitter to get paid) £_____ total/per room

Parking Cost: Free / £_____ per hour PERMITS ONLY 830AM-630PM

Parking Restrictions: (type) / £ LINK RD NEARBY 200 YARDS AWAY IN AVEBURY ROAD

Congestion Zone: No / Yes OR SEE CUSTOMER FOR PERMIT PARKING

Access: Easy / Hard / 2 men req'd / Top floor?

Runners: X Whipping / Binding (if binding, specify type)

Tape size: 1½" X 2" / 3" / 5"

Style: X Top taping / Side binding

Stairrods: Type X _____ Nr _____ Size _____

Must Read: Not entered