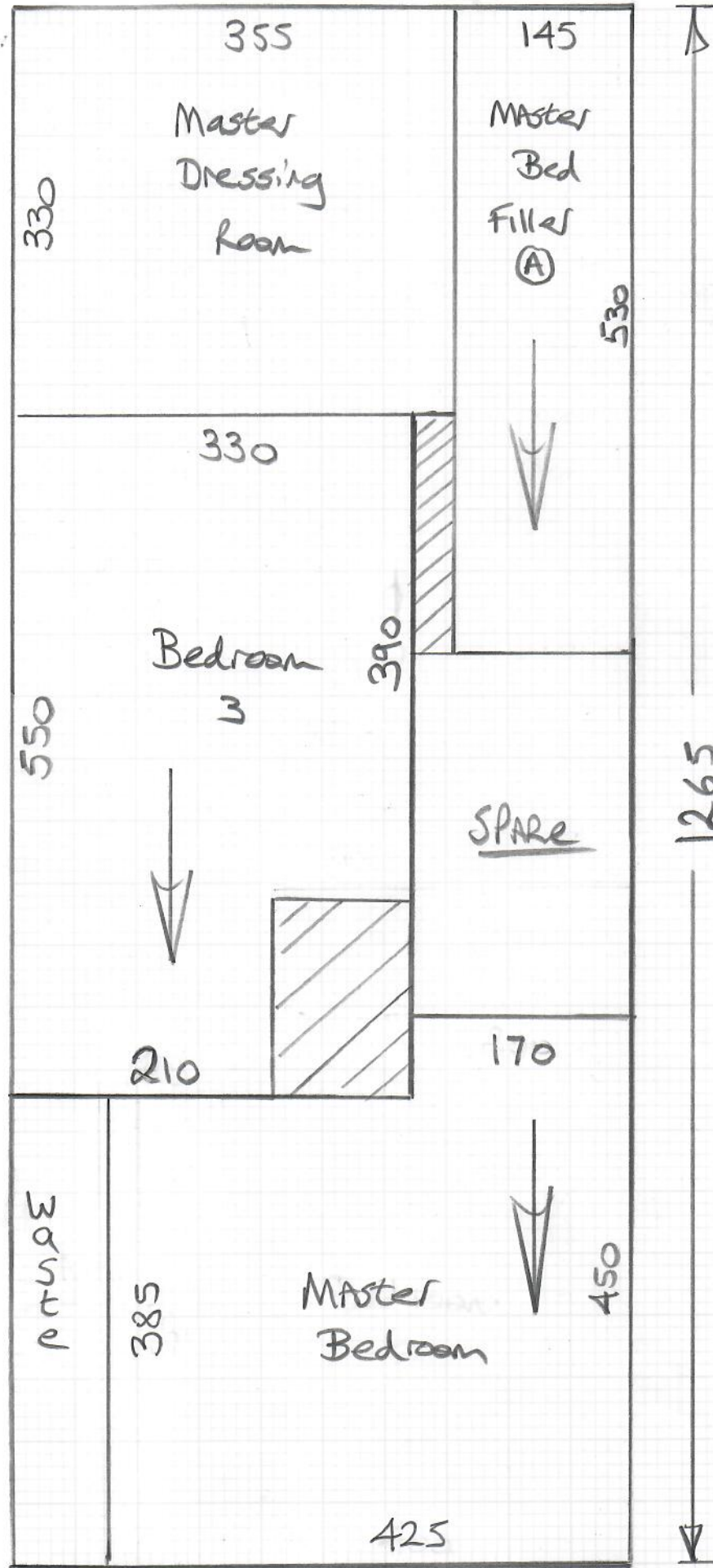


All Running Same direction

①



R18923
Name: MARSHALL

1 of 4

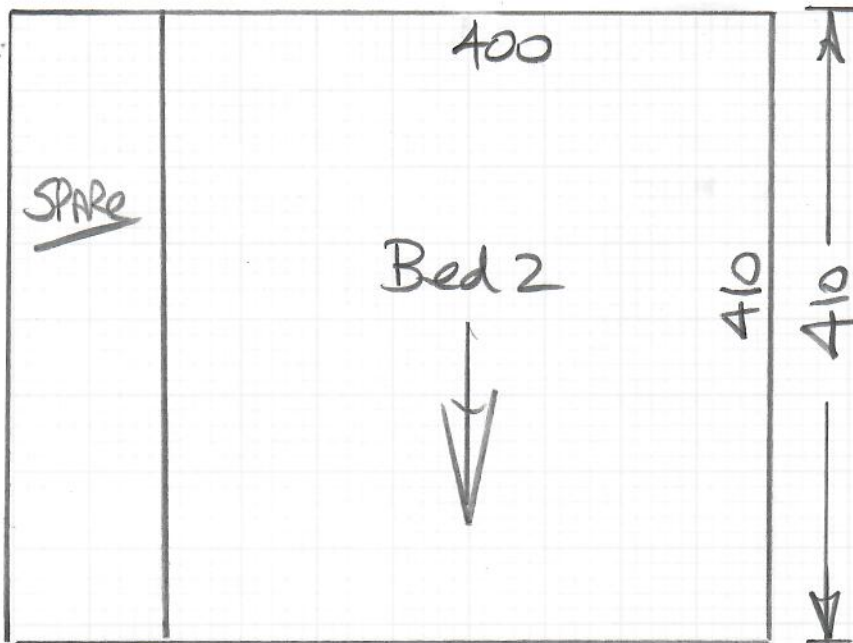
Grand Piazza
Col. 1006 Del Duomo

Cut Plan ① 1265x500
Cut Plan ② 410x500
1675 x 500
= 83.75M²

U/Lay = 65M²

To be Supplied & fitted by the Developer beforehand

②



Job: mrcarpets

Job: R18923
Name: MARSHALL

Address:

Tel:

Sheet:

2 of 4

Flat is on the 4th floor with only a small lift.

Approx 50mtr walk from road to Block main entrance

Report to Sales / Site office on arrival & they will show you where to park.

Concrete floors Flat but no up floor heating

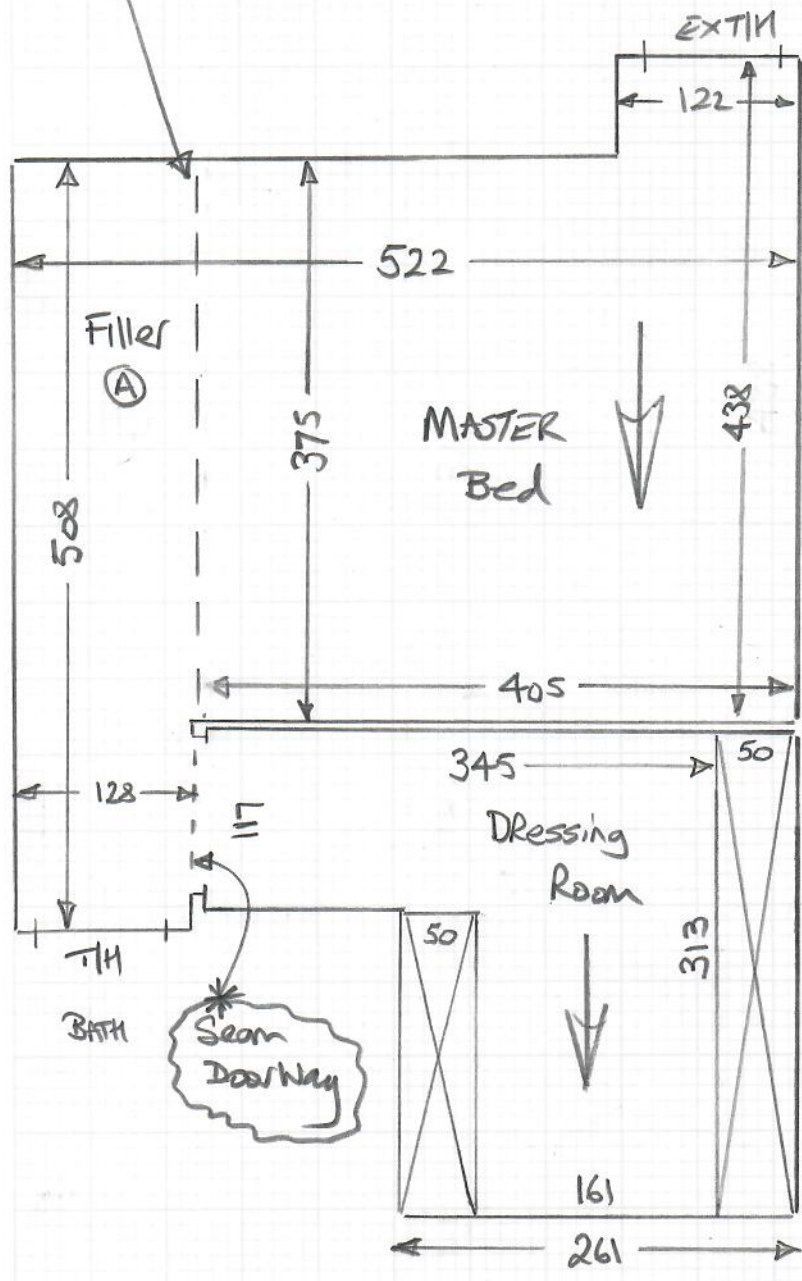
Job #: R18923
Name: MARSHALL

Address:
Tel:
Sheet:

3 of 4

Seam here
will mostly be
under bed

HALL
LVT



Job No: R18923
Name: MARSHALL

Address:

Tel:

Sheet:

4 of 4

