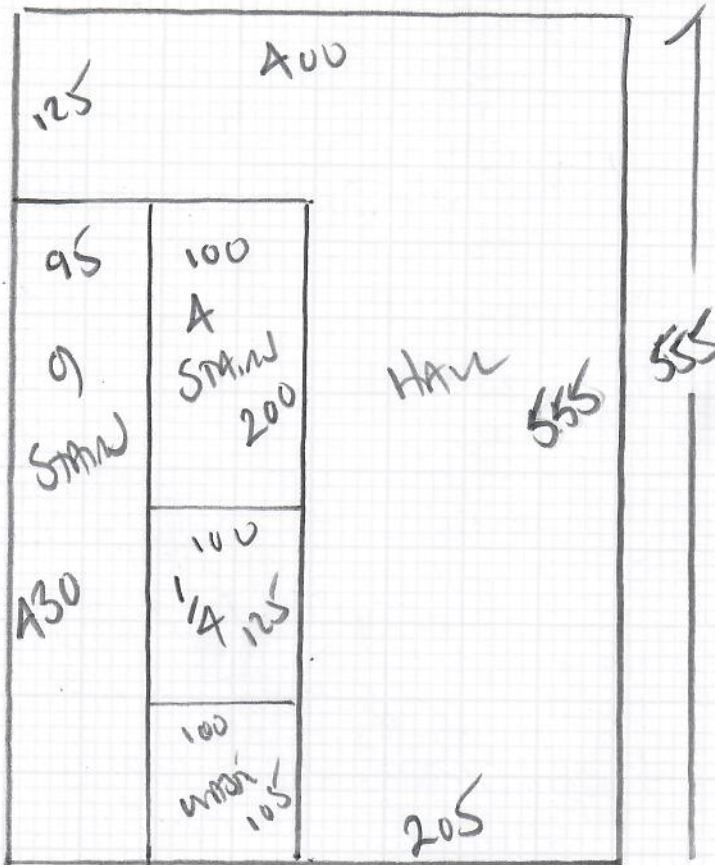
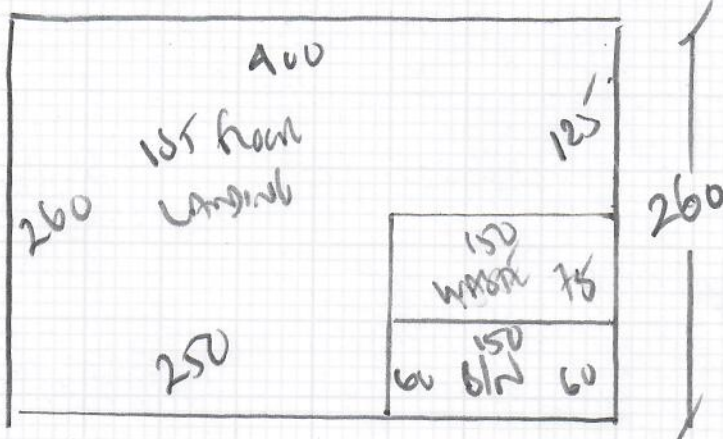


Job No: R19043
 Name: SHAW-WALTMICK
 Address: 28 CRAVEN GONS
 SW19 8LU
 Tel:
 Sheet: 1 of 3

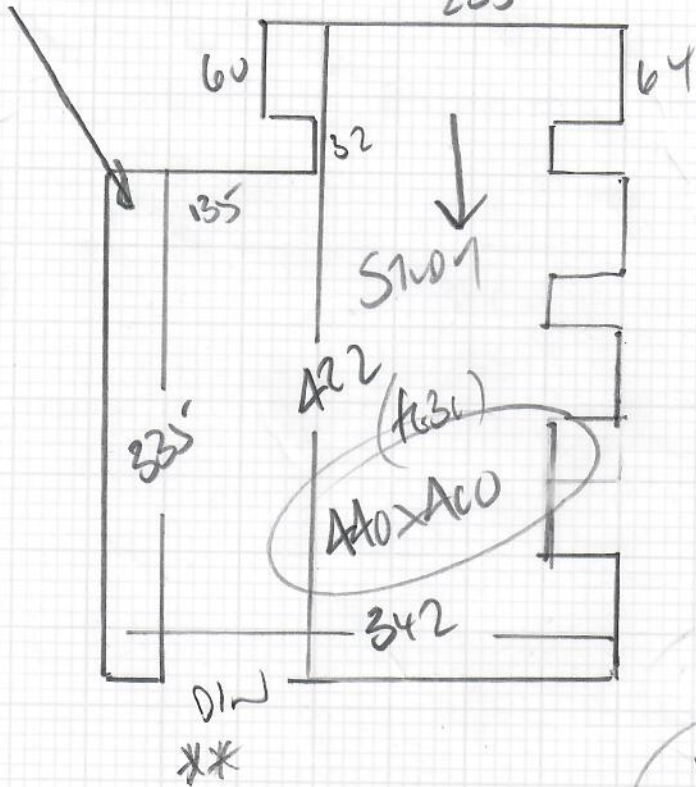


Study
STAIRS + LANDINGS
 Cottage 1mst 550z
 Colour C13-126
 Woodland Mist
 Plan 1 555 x 400
 Plan 2 260 x 400
 Study 400 x 400
1255 x 400



50.20m²
LIVING ROOM
 Rutland 50'
 Colour R50-01
Elephant
400m x 500m

STUDY IS
SAME CARPET AS HSL
235



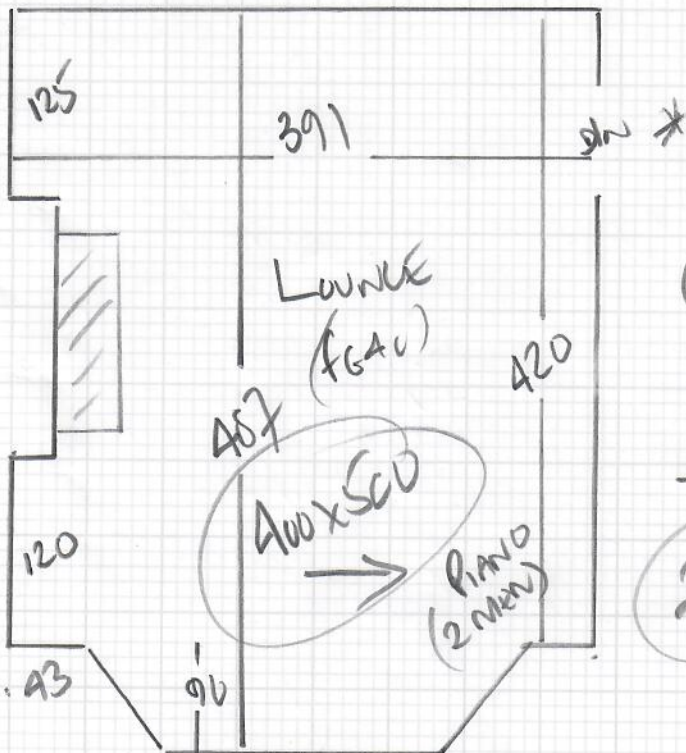
Job No: R190A3
Name: SHAN-WIN WICK
Address: 28 CLAREN GOND
SW19 8LU
Tel:
Sheet: 2 of 3

STUDY
SAME AS HSL
CARRIAGE 1MOT 'SS'
CARPET C15-126

440 x 400 M

17.60m²

LIVING ROOM IS DIFFERENT CARPET TO HSL

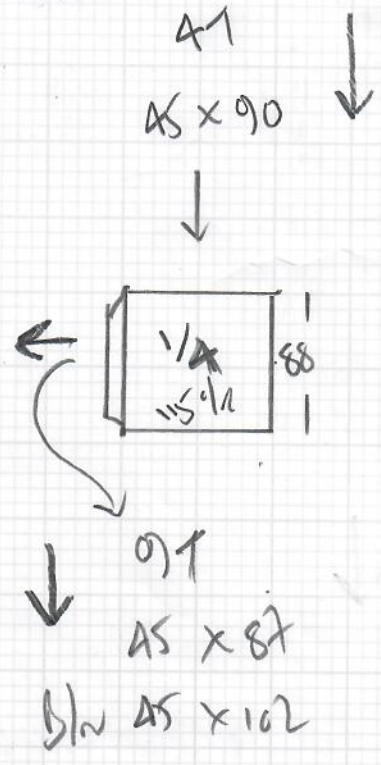
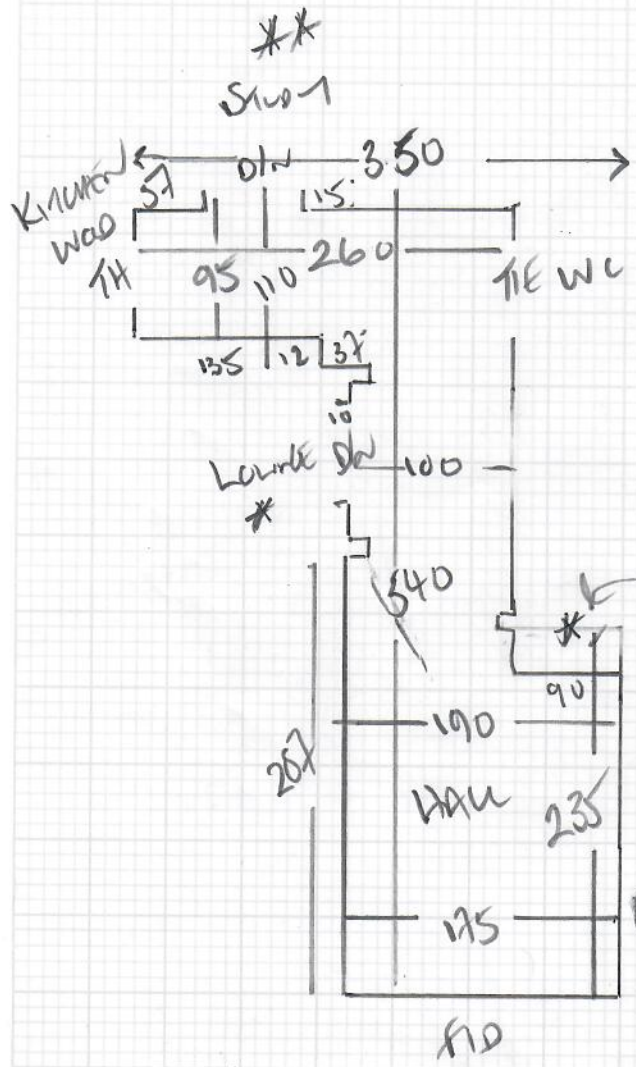
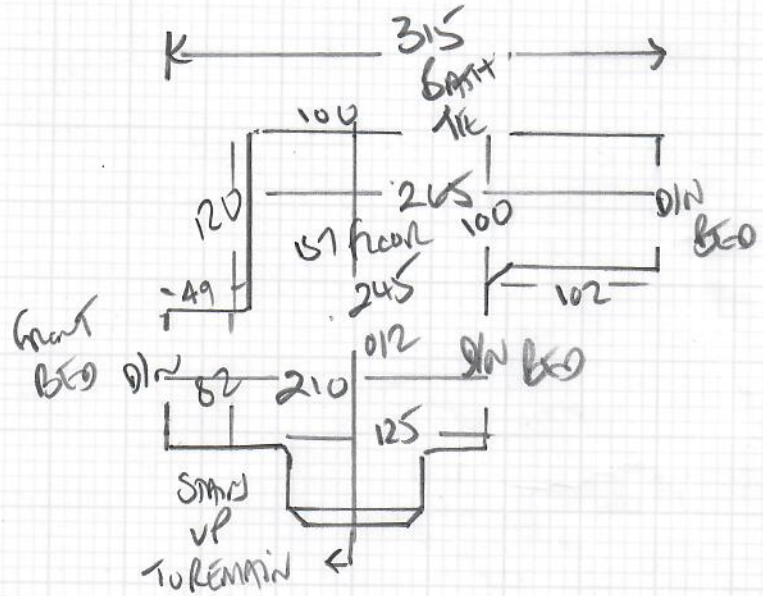


LIVING ROOM
RETURN TO
CARPET PC50-01

400 x 500

20m²

Job No: R19043
 Name: SHAW-WALKMILL
 Address: 28 CLAREN GOND
 SW19 8LU
 Tel:
 Sheet: 3 of 3



SLIT THIS WAY