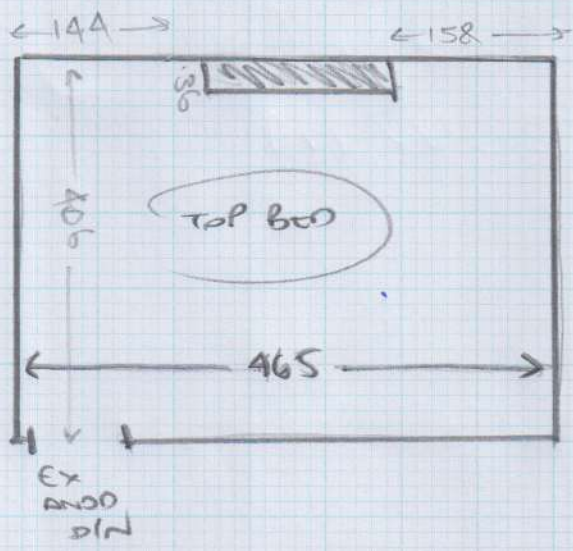
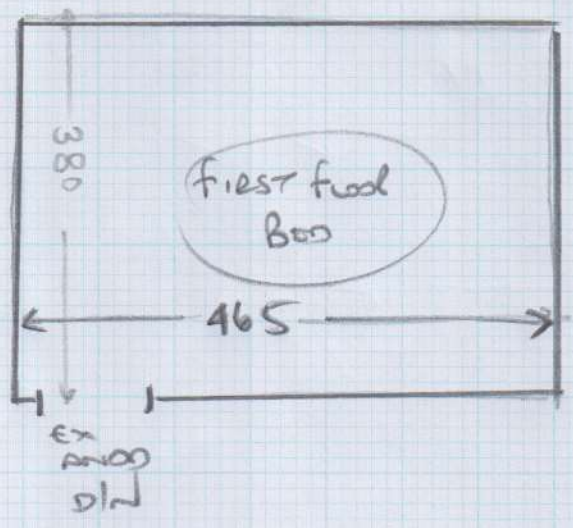




Job No: **S27727**
Name: **SOUBER**
Address: **2 Berkeley Place**
Wimbledon, SW19 4SN
Tel: _____
Sheet: **1** of: **1**



- wood floor
- u/lv c/r
- m/f 1 unit
- ex s/f
- ex ul/vy



- wood floor
- u/lv c/r
- m/f 1 unit
- ex s/f
- ex ul/vy