

Job No: 527946

Name: FAGAN

Address:

Tel:

Sheet: 1 of 2

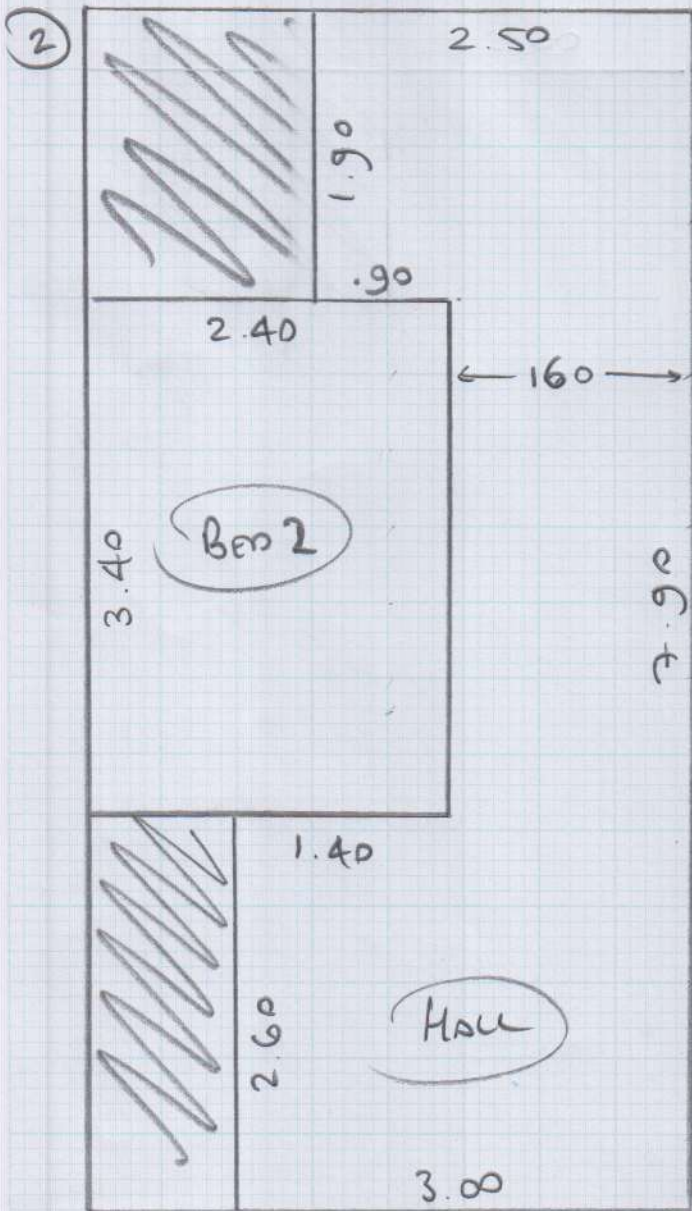
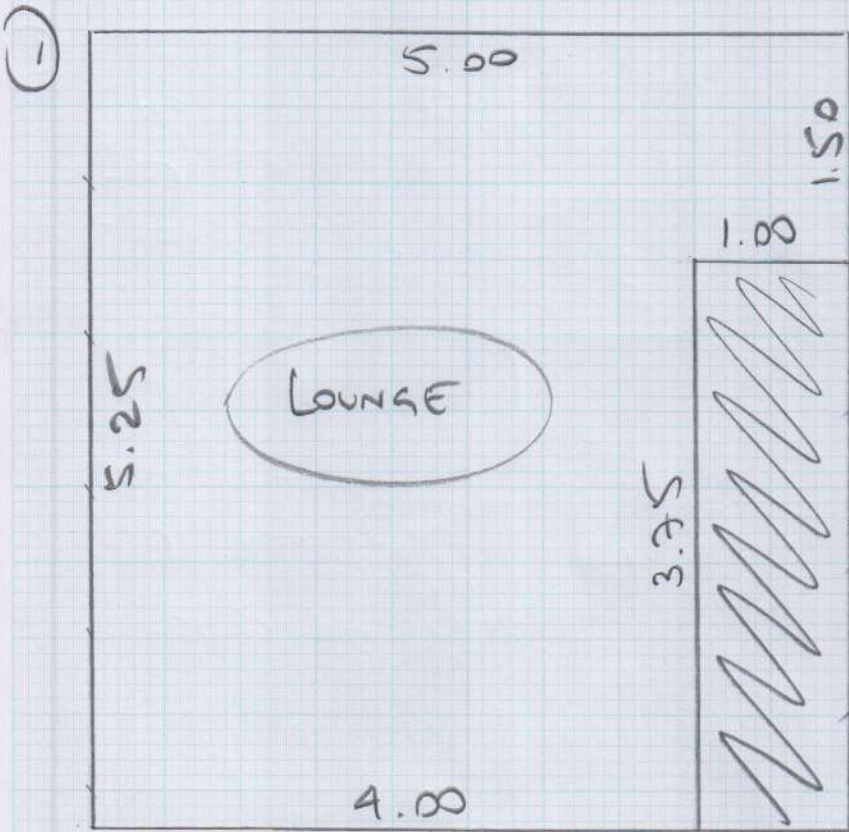
Sloane Twist 42
SLO-4225 (Fossil)

Bed ① 4.40 x 4m

Plan ② 7.90 x 4m

Plan ① 5.25 x 5m

TOTAL m² = 75.45 m²



Job No: S27946

Name: Fagan

Address:

Tel:

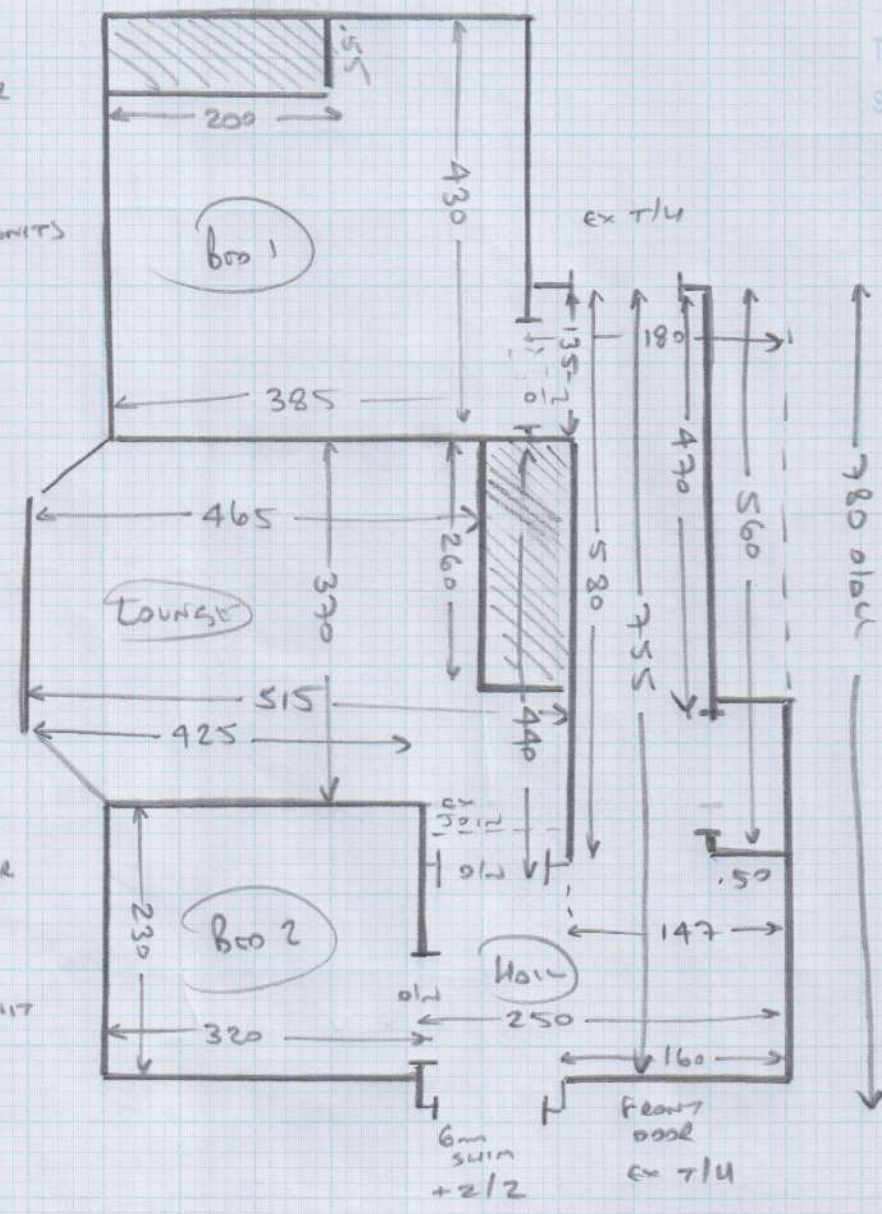
Sheet: 2 of 2

- wood floor
- u/a CRT
- ex s/e
- m/f 1.5 units

- wood floor
- u/a CRT
- ex s/e
- m/f 3 units

- wood floor
- u/a CRT
- ex s/e
- m/f 1 unit

- wood floor
- u/a CRT
- ex s/e
- m/f



$$17.55 \times 4 = 70.2 \text{ (JOIN IN LOUNGE)}$$

$$\approx 70.2$$

$$5.25 \times 5 = 26.25 \text{ (LOUNGE)}$$

$$12.30 \times 4 = 49.2$$

$$\approx 75.45$$