

3 CUTS

S28138

THOMPSON

1) OF 5)

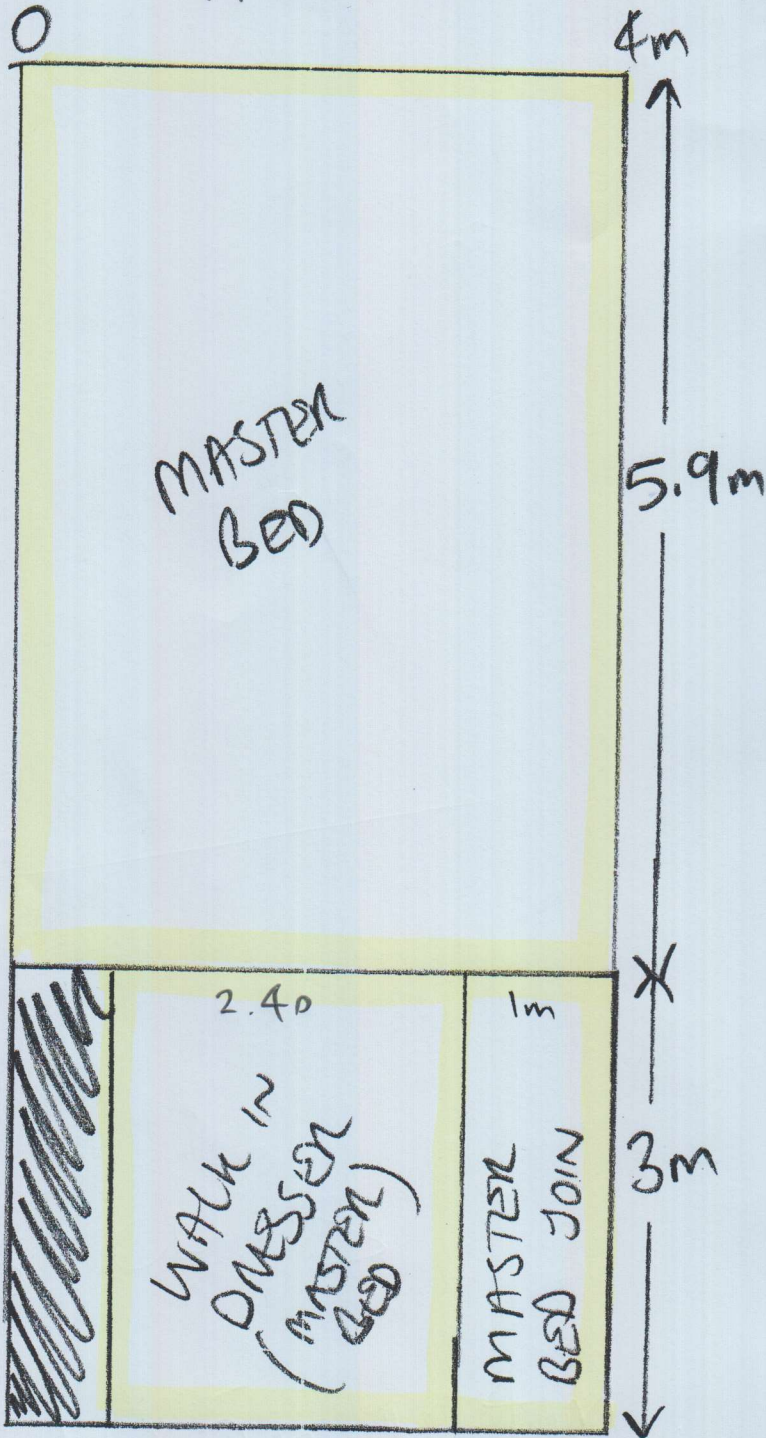
1) $14.85\text{m} \times 4\text{m}$. IN THIS WT:

- PAGE 1 WITING PLAN ($8.9\text{m} \times 4\text{m}$)
- 1ST FLOOR SPARE ROOM ($3.85\text{m} \times 4\text{m}$)
- TOP FLOOR OFFICE ($1.85\text{m} \times 4\text{m}$)

2) 3RD FLOOR ROOM =
 $3.25\text{m} \times 5\text{m}$

3) 3RD FLOOR UTILITY ROOM =
 $2.55\text{m} \times 5\text{m}$

14.85m x 4m - NB
A



S28138
THOMPSON

2) of 5)

~~APR 13~~

TRACY

- ~~CUSTOMER PLAN~~
 - ~~8.9m x 4m~~
 - ~~1ST FLOOR SPACE~~
 - ~~3.85m x 4m~~
 - ~~3RD FLOOR UTILITY~~
 - ~~2.55m x 4m~~
 - ~~3RD FLOOR ROOM~~
 - ~~4.45m x 4m~~
 - ~~3.25m x 5m~~
 - ~~TOP FLOOR OFFICE~~
 - ~~1.85m x 4m~~
- = 86.90 sqm

~~OPTION 2~~

~~4.95m +~~

~~4.85m x~~

~~4m~~

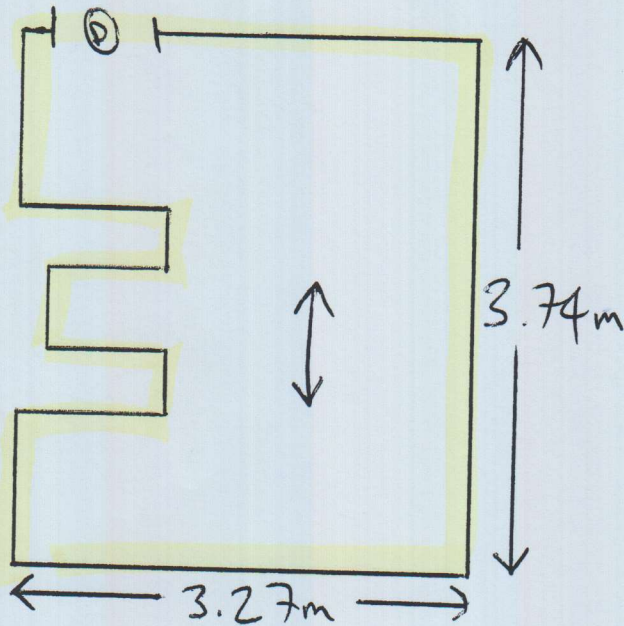
~~= 39.70 sqm~~

S28138

THOMPSON

1ST FLOOR SPARE BED

3) OF 5)



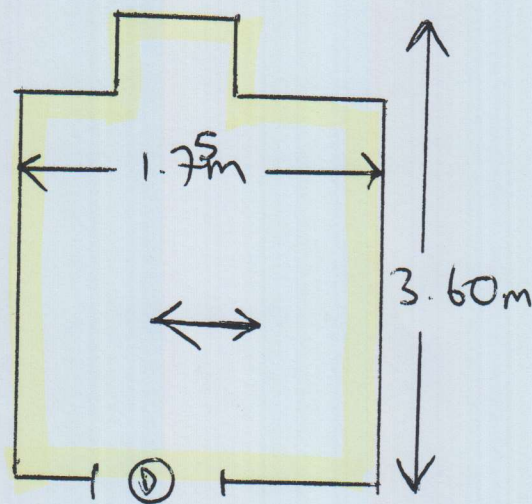
1x BED, C.O.D

+ SIDE TABLE

UPUFT REQ.

3.85m x 4m

TOP FLOOR OFFICE



• FIT AROUND BUILT IN DESK

• UPUFT REQ

• NEW U/WAY

• EXISTING CRAPPER

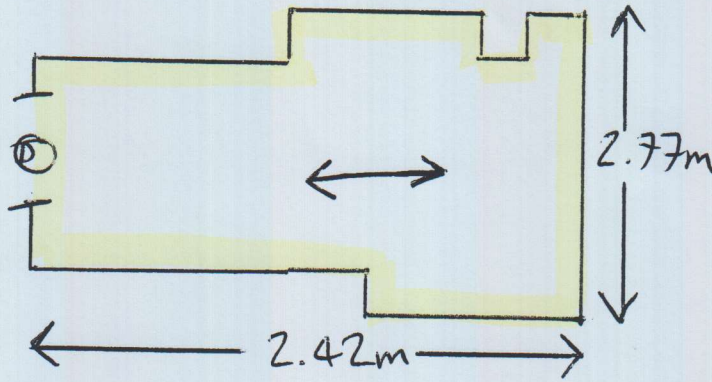
1.85m x 4m

3RD FLOOR UTILITY ROOM

528138

THOMPSON

4) OF 5)

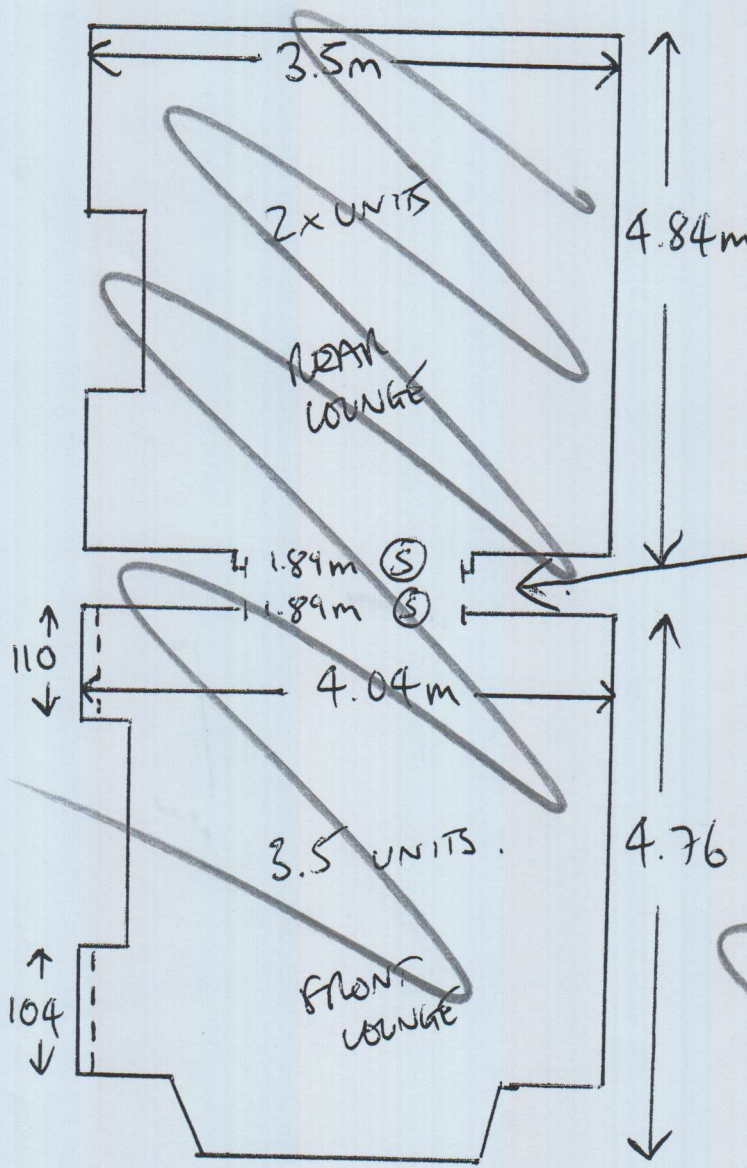


2.55m x ~~4m~~ ^{5m}

UPWT NEW, NEW U/LAY, NO FURN.

~~OPTION 2~~

(NOT BEING FITTED YET)



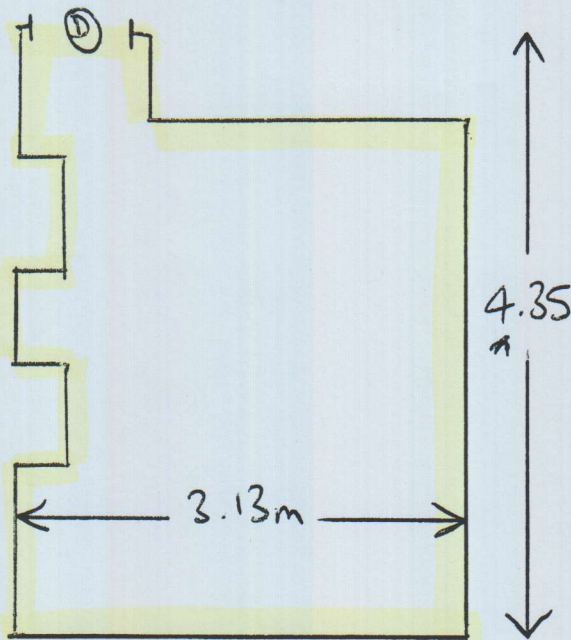
UPWT NEW
NEW U/LAY
FURN MOVE

SLIDING DOORS
(ROOM SEPARATE)

BASE @
\$50pm²

REAR LOUNGE =
4.95m x 4m
FRONT LOUNGE =
4.85m x 4m

3RD FLOOR ROOM



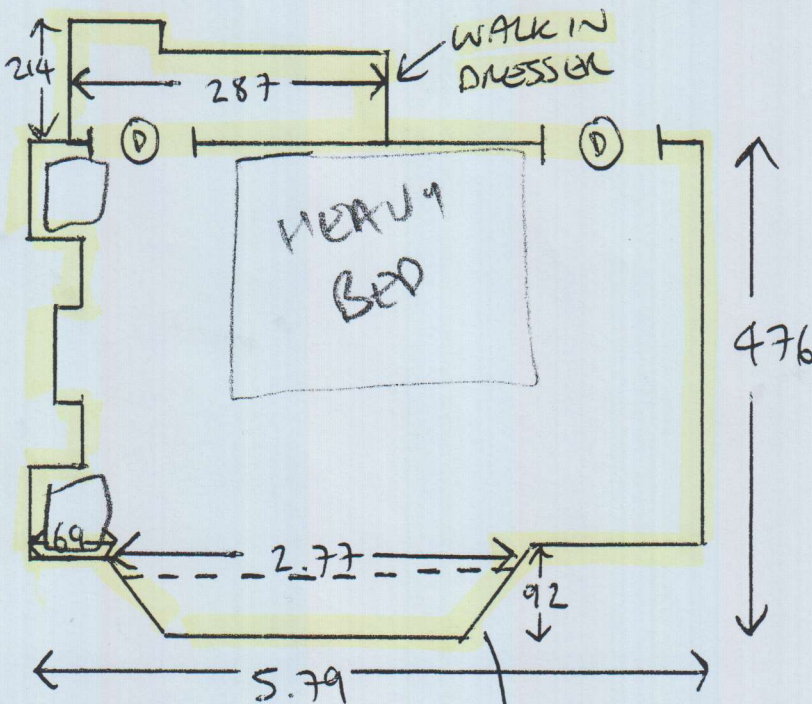
S28138
 THOMPSON
 5) OF 5)

(3.15m x 5m)

~~4.45m x 4m~~

- 2x HEAVY 'INDIAN' PILIANS, VERY HEAVY
- 1x C.O.D + 1x FILING CABINETS + 1x DESK
- UPHST NET
- NEW U/LAM.

2ND FLOOR MASTER BED



- 1x HEAVY BED
- 2x HEAVY W/DRESSER
- 1x C.O.D
- UPHST NET
- NEW U/LAM

JOIN HOME COMPANY