

S28228
STONE

2) 2)

17.40 WHIPPING FOR
STAIR.

6 UN WHIPPING
FOR MATTS.

Phase 2)

FITTING ALL CPTS +
DELIVERY OF MATTS
LANDING CUT DOWN
PREVIOUSLY + ALL RUNNERS
HAVE NOW BEEN EGED

TOTAL =
4.40 m x 4m
17.60 sqm

MATTS NEED CUTTING DOWN
TO 1m LONG x 60 cm WIDE
TO BE EGED.

Job No: 528228

Name: STONE

Address:

Tel: 1) of: 2)

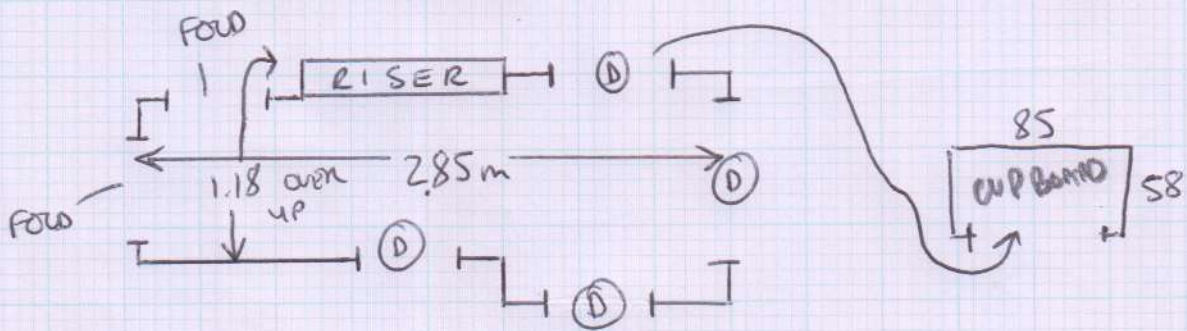
CURRENTLY @ 61cm WIDE
RUNNER

3x STAIRS = 0.41m x 0.84m

W1 = 0.67m x 0.97m

W2 = 0.71m x 1.22m

W3 = 0.68m x 0.97m → THESE PIECES
8 STAIRS = 0.41m x 0.84m IN ON WT.



+ 3x MATTS @ 1m (LONG) x 0.61m (WIDE)

EXISTING BAND