

Job No:

Name:

Address:

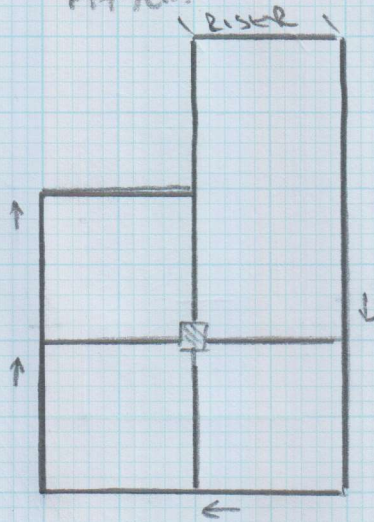
Tel:

Sheet: of:

LEFT STAIRS

✓	riser	25	66
✓	7e	46	66
✓	1/4	90	70
✓	1/4	90	74
✓	4e	45	72

BEDDING UNDER NOSE
NEEDS REMOVING +
PAINTING BEFORE CARPETS
FITTED.

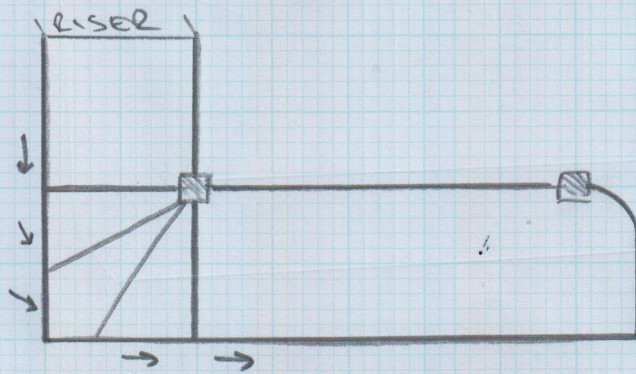


- WOOD FLOOR
- NO U/L
- NEEDS S/E

MAIN STAIRS

✓	riser	25	92
✓	3e	44	92
✓	W1	70	110
✓	W2	80	125
✓	W3	80	92
✓	8e	45	92
✓	8L	46	110

BEDDING UNDER NOSE
NEEDS REMOVING +
PAINTING BEFORE
CARPET FITTED.



- WOOD FLOOR
- NO U/L
- NEEDS S/E

-WINDERS HAVE SPLIT. THEY HAVE BEEN FILLED BUT THE WOOD IS NOT LEVEL WHICH WILL SHOW THROUGH CARPET IN TIME.

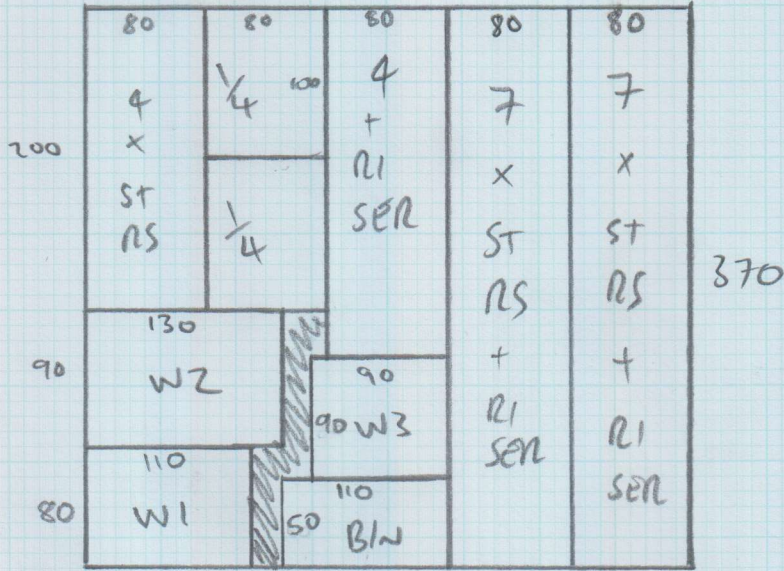
Job No:

Name:

Address:

Tel:

Sheet: of:



3.7m x 4m

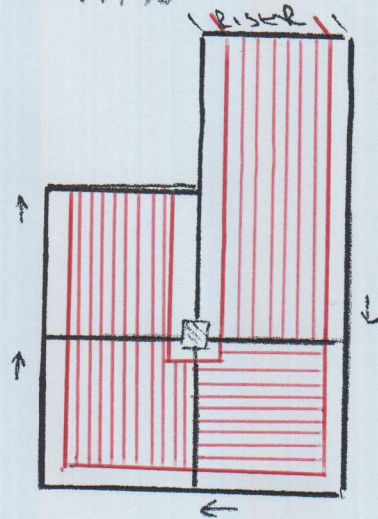
33 u m
OF TAPE
MEZ

22.80
1.4
1.6
1.4
1.4

LOFT STAIRS

Riser	25	66
7e	46	66
1/4	90	70
1/4	90	74
4e	45	72

BEDDING UNDER NOSE
NEEDS REMOVING +
PAINTING BEFORE CARPETS
FITTED.

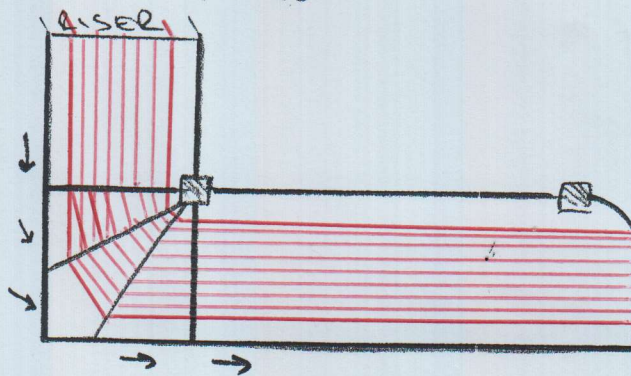


- WOOD floor
- NO u/d
- NEEDS s/c

MAIN STAIRS

Riser	25	92
3e	44	92
W1	70	110
W2	80	125
W3	80	92
8e	45	92
B/W	46	110

BEDDING UNDER NOSE
NEEDS REMOVING +
PAINTING BEFORE
CARPET FITTED



- WOOD floor
- NO u/d
- NEEDS s/c

-WINDERS HAVE SPLIT. THEY HAVE
BEEN FILLED BUT THE WOOD IS NOT
LEVEL WHICH WILL SHOW THROUGH
CARPET IN TIME