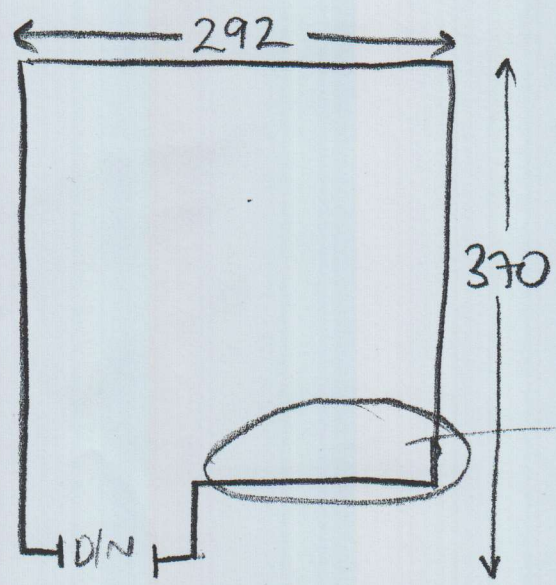


- 4x FURN, JUST TO REMOVE AS MUCH AS POSS
- NO UPWFT

WOOD THRESHOLD MEETS TILES. (TILES ARE VERY HIGH, IF WE REMOVE THIS THRESHOLD, THEN THERE WILL BE A BIG HEIGHT DIFFERENCE. INSTALL RIGHT ANGLE TILE UP 4 FT UP TO TILE

AVAN
25/11
SUOT
7



- PLEASE FIT NEW PART GRIPPER, 10mm FOAM + 1x SILVER DIN
- NO UPWFT OR FURNITURE

BAD CHIPBOARD THAT CUSTOMER'S BUILDER WILL CORRECT.