

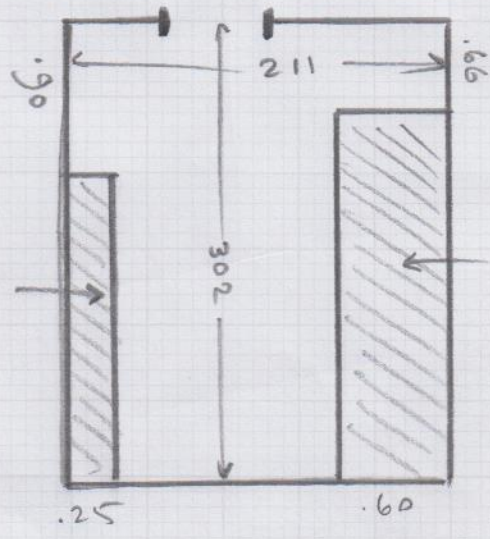
Layout only

UTILITY ROOM

mrcarpets
Job No: CS 28998
Name: Kay.
Address: Kca 15+16/2
Tel:
Sheet: U of U

Fit 18" x 18"
TILE
11
GL
CERAMIC
FINISH

fit AGAINST WOOD
THOLD W/OUT A
BOL.



NET AREA = 4.42 m²

NO FISTERS
SHELVING
TO BE BUILT

UNITS TO BE BUILT

- WOOD FLOOR BUT CUSTOMER
IS HAVE UPH INSTALLED
AND IS NOT SURE HOW
THE BUILDER WILL FINISH,
ALLOW STAP GAP 700

- ✓ BUILDER HAS FITTED Ply -
- ✓ Apply slat 700 over Ply.
SEAL EDGES

NOTE
W/FLOOR
HEATING
4/NEATH

LAYOUT ONLY

UTILITY ROOM

mrcarpets

Job No: CS 28998

Name: Kay.

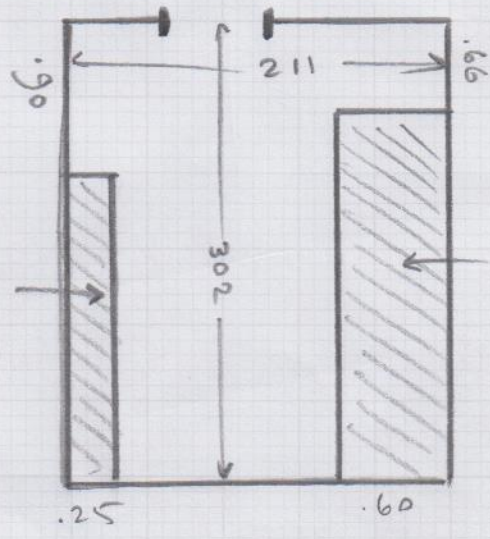
Address: K&N 15+16/2

Tel:

Sheet: U of U

FIT 18" x 18" TILE
 11 GL CERAMIC FINISH

FIT AGAINST WOOD TIMBER WITHOUT A BOARD.



NET AREA = 4.42m²

- WOOD FLOOR BUT CUSTOMER IS HAVE UPH INSTALLED AND IS NOT SURE HOW THE BUILDER WILL FINISH, ALLOW STAP GAP 700

- ✓ BUILDER HAS FITTED PLY -
- ✓ APPLY STAP 700 OVER PLY. SEAL EDGES

NOTE
 W/FLOOR
 HEATING
 4/NEATH