

DESIGN BOX

mrcarpet

USE 2.45 x 2 LABEL  
OAK

Job No: 29386

Name: DAVIES

Address:

Tel:

(1) or (2)

KITCHEN

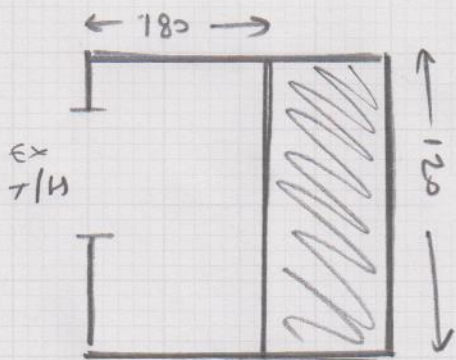
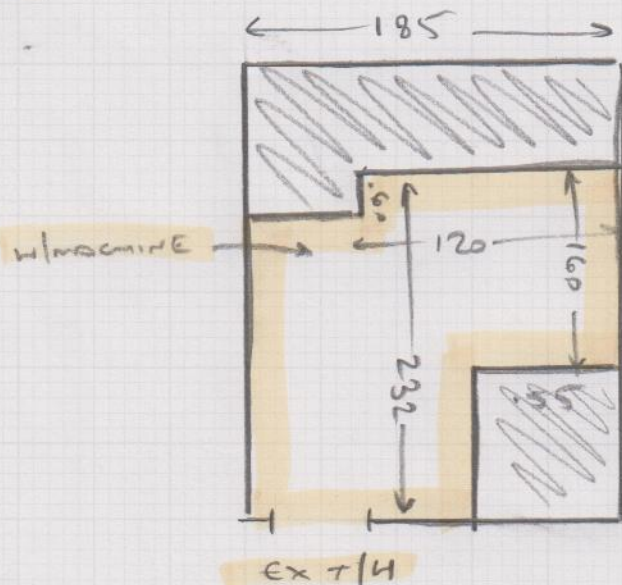
- CONC FLOOR

- VIB COBK TILES

- SCREED

- SEAL EDGES

KOV  
18/7



Bathroom

- CONC FLOOR

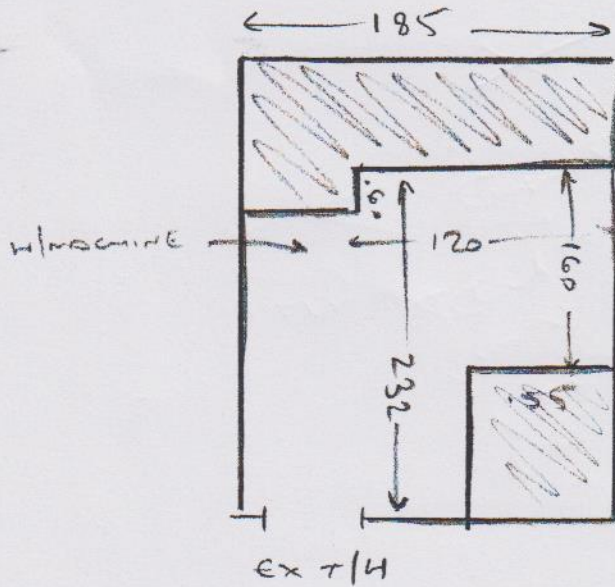
- VIB COBK TILES

- SCREED

- SEAL EDGES

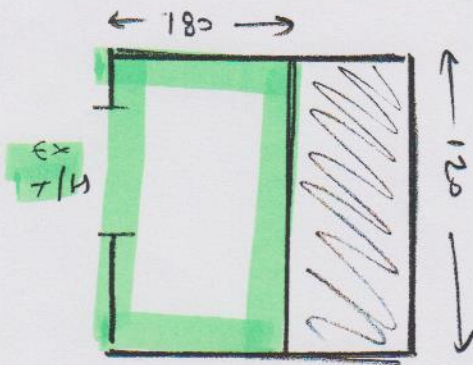
DAVIES  
CS 29386.

(2 of 2)



### KITCHEN

- CONC FLOOR
- OLD COEK TILES
- SCREED
- SEAL EDGES



### BATHROOM

- CONC FLOOR
- OLD COEK TILES
- SCREED
- SEAL EDGES

W/IND 1150 x 2

WHITE LINED ASH