

OPTION 1

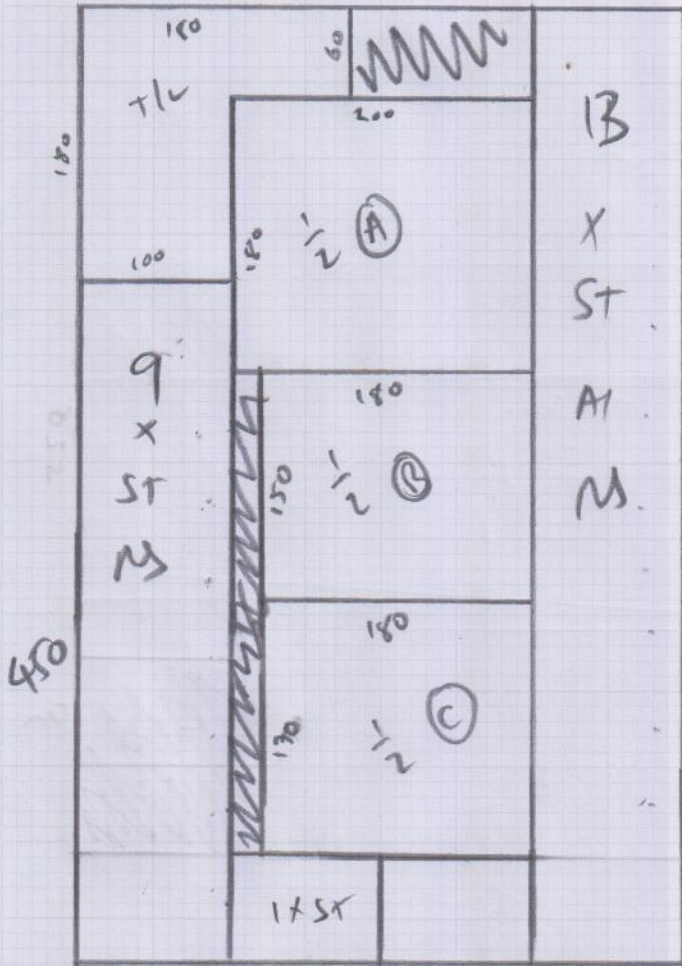
Job No: (S) 29940

Name: TESTER

Ad: ADRIAN / BILLY

Tel: WED (11)4

Sheet: (1) OF (3)



{ A PORRA LOOP
 FOR
 STMS + LANDS *

PLAN = 6.30 x 4m

4 x SEE
 BEDS P(2)

09704 2

Job No: (5) 29940

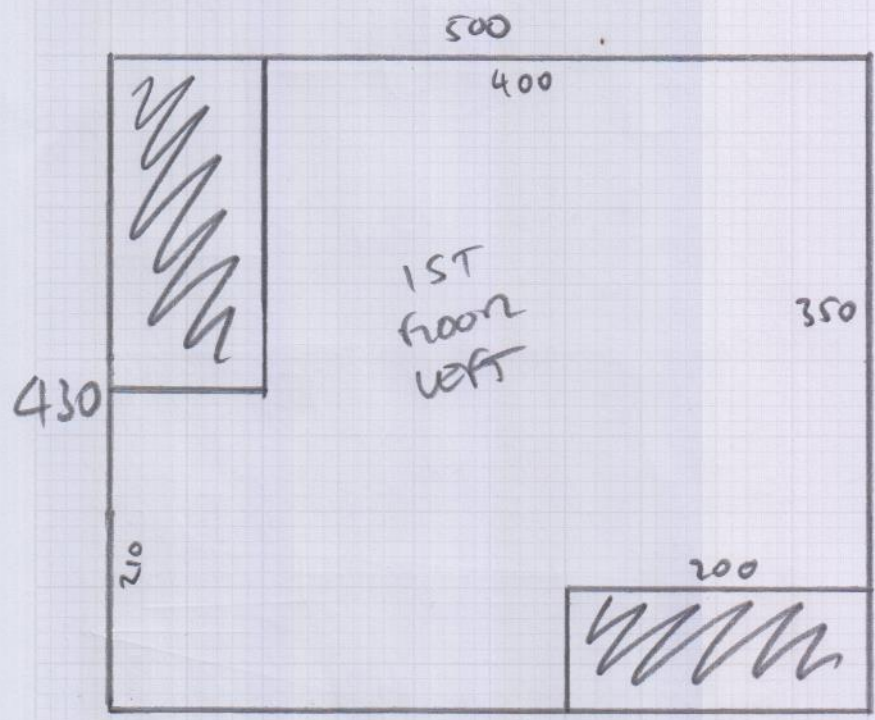
Name: TESTER

Address: ADRIAN / BILLY

Tel: WED (11) 4

Sheet: (2) OF (3)

NOTE
(4) BEDS
IN SLEDBURY
TWIST



1ST FLOOR LEFT = $4.30 \times \underline{5m}$

TOP REAR = $4.60 \times \underline{5m}$

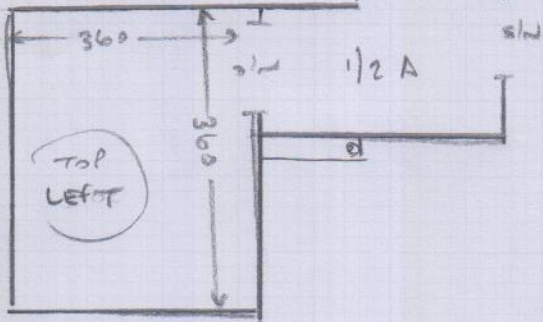
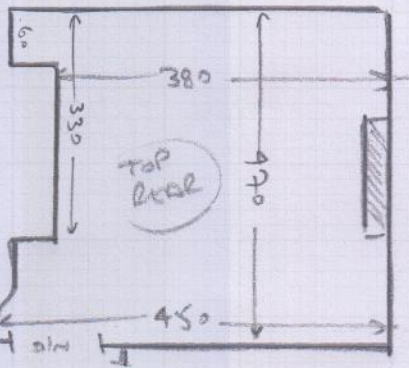
TOP LEFT = $3.70 \times \underline{4m}$

1ST FLOOR RIGHT = $3.60 \times \underline{4m}$

LAYOUT ONLY NET MEASURES

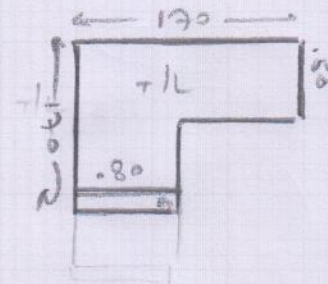
TOP FLOOR

- WOOD FLOOR
- ULC CAB
- EX S/LC
- 1/2 3 UNITS



- WOOD FLOOR
- ULC CAB
- EX S/LC
- 1/2 1.5 UNITS

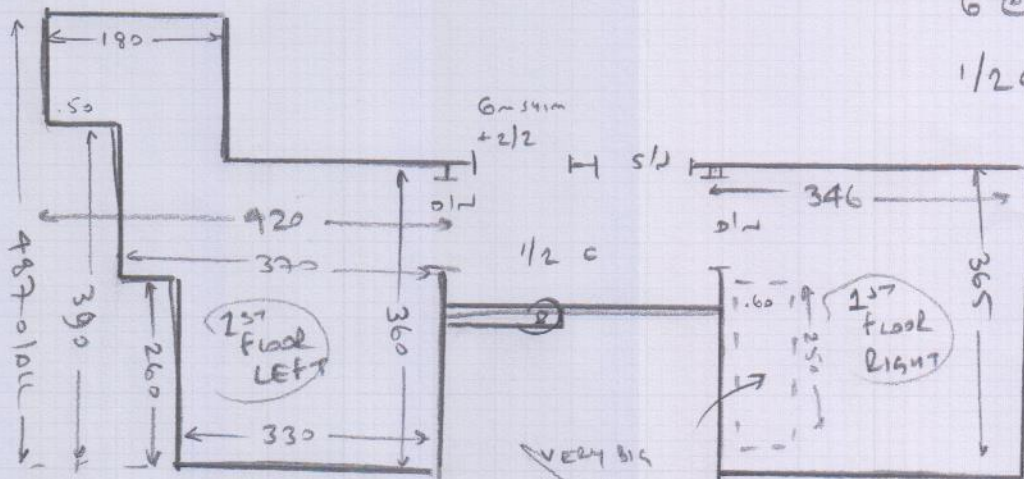
- sliders
- WOOD FLOORS
- ULC CABS
- EX S/LC



STAIRS FROM T/L DOWN

3e	44	80	✓
1/2 A	170	170	✓
6e	43	70	✓
1/2 B	142	162	✓
6e	44	69	✓
1/2 c	154	162	✓

1ST FLOOR



- WOOD FLOOR
- ULC CAB
- EX S/LC
- 1/2 3 UNITS

7e	43	70	✓
blw	44	93	✓

- WOOD FLOOR
- ULC CAB
- EX S/LC
- 1/2 3 UNITS
- CUSTOMER TO DISMANTLE LARGE CASE

NOTE

FIT

coil

102 x 93

CUSTOMER ASKED FOR THIS TO BE FITTED AROUND