

NOTE
DIRECTION



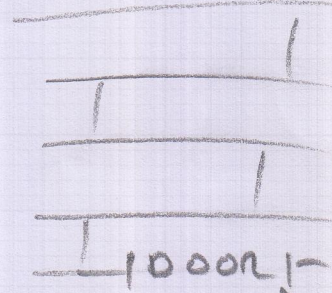
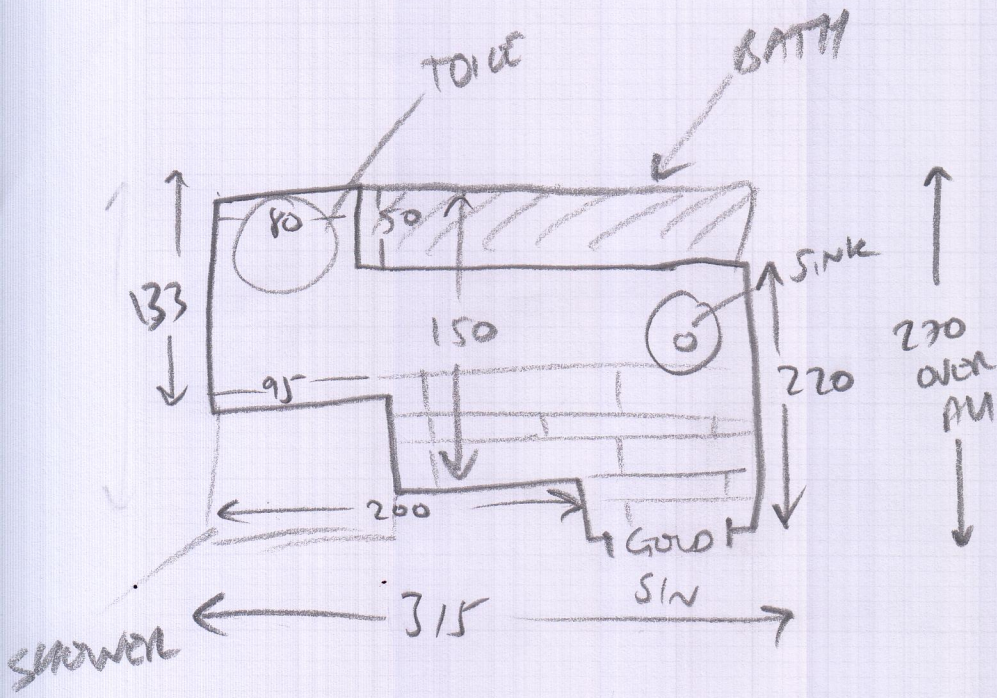
mrcarpet

Job No: (S) 30259

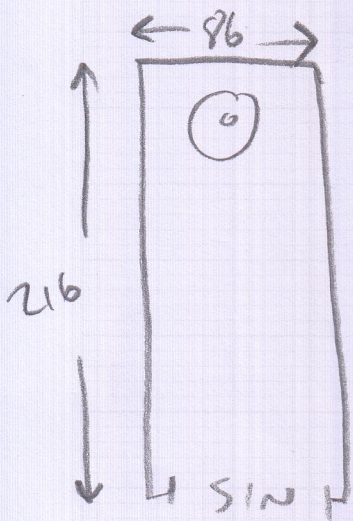
Room: (H) 101

Address: (2419)

Tel: () of ()
Sheet: () of ()



PUF, W/M LVT + PERIMETER SEAL



~~CONK TILES DOWN
UPUFT TILES, SCAFFED, FIT LVT~~