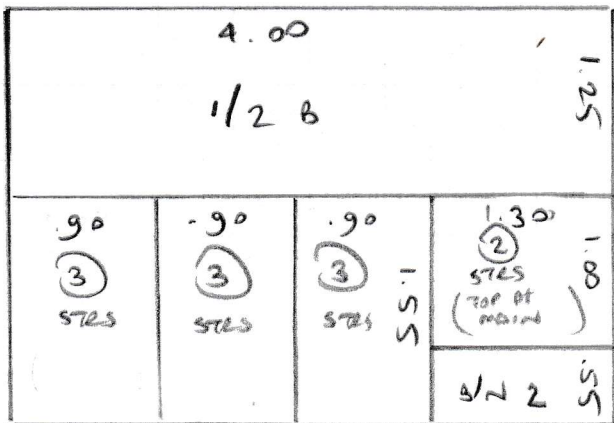


S30488
BASTION

COTSHOLD NORTHLEACH.

Plan 1) 7.50 x 4m

30m²



COTSHOLD STAG.

Plan 2) 2.80 x 4m

11.2m²

LOFT STD (2)

7/1 121 99

3 @ 43 74

1/2 A 101 87 (1x 2 1/2 s/n)

8 @ 44 80

8/1 44 106

* MAIN STD (2)

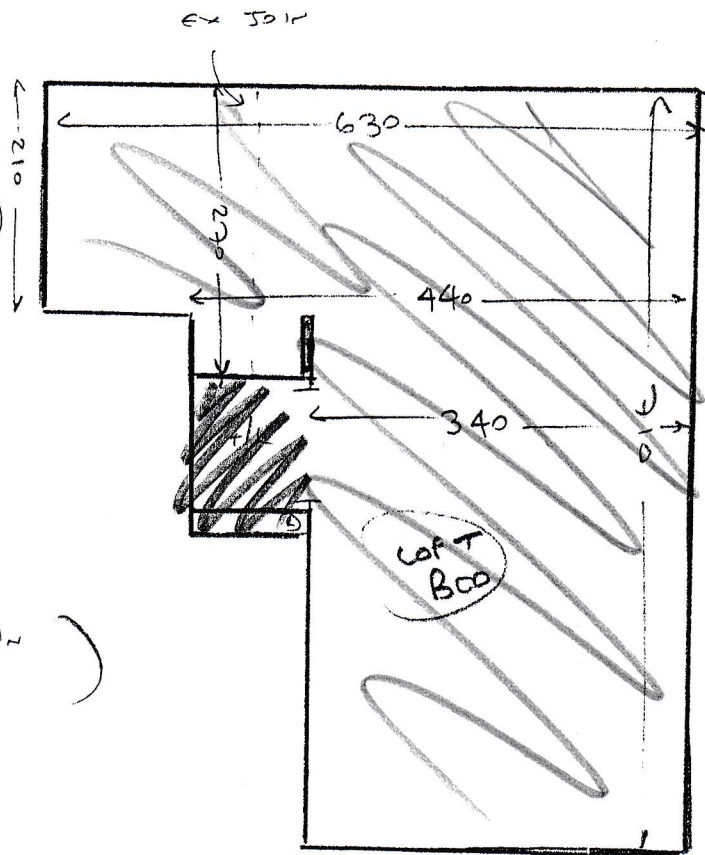
2 @ 44 88

1/2 B 114 343 (1x DIN)

9 43 80

3/2 43 102

BASTIAN



- 4000 floor
- 110 c/t
- EX S/E
- m/f (2 UNITS)

1st floor lead bed

1st floor front bed

