

30888

Job No.

Name: MIDDLEMAS

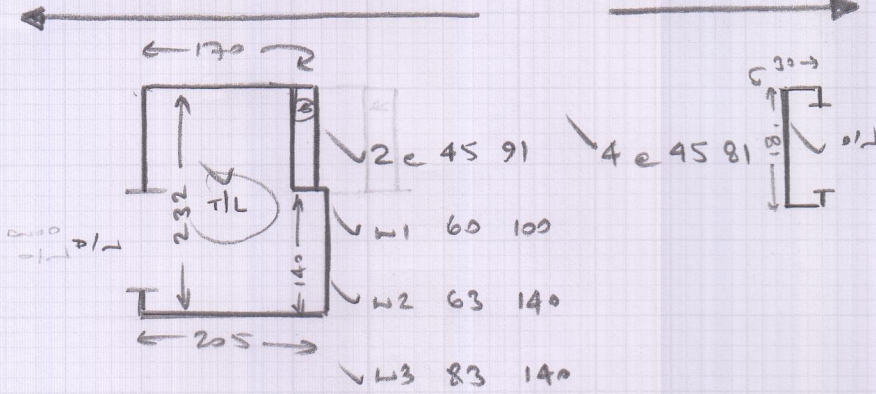
Address:

Tel:

Sheet: (2 of 2) (2)

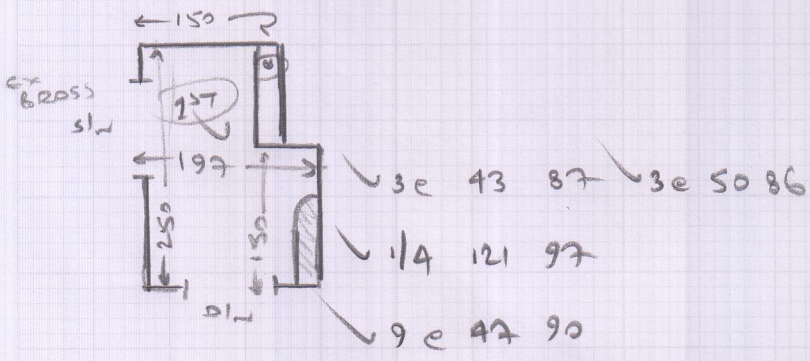
FRONT OF HOUSE

REAR OF HOUSE

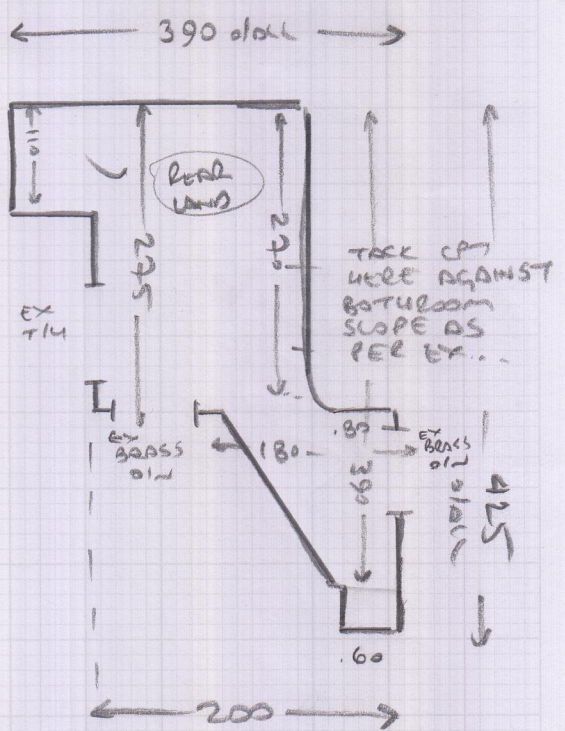


- ✓ 2e 45 91
- ✓ 4e 45 81
- ✓ W1 60 100
- ✓ W2 63 140
- ✓ W3 83 140
- ✓ W4 62 93
- ✓ 2e 45 93
- ✓ W5 66 103
- ✓ W6 60 133
- ✓ W7 80 130
- ✓ W8 60 90
- ✓ B/W 47 117

LAYOUT
NET
MEASURES



- ✓ 3e 43 87
- ✓ 3e 50 86
- ✓ 1/4 121 97
- ✓ 9e 47 90



ALL AREAS

- WOOD floors
- EXISTING LOOSE / CREAKY LANDINGS + STAIRS AS IT IS A VERY OLD HOUSE.
- EX GRIPPER
- CUSTOMER SAID THAT THE DECORATOR WILL U/D ALL EXISTING CPTS + U/LAY.