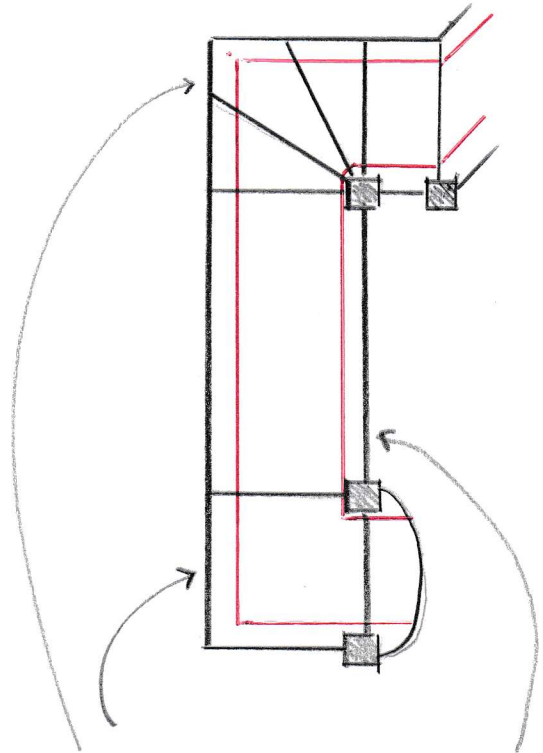
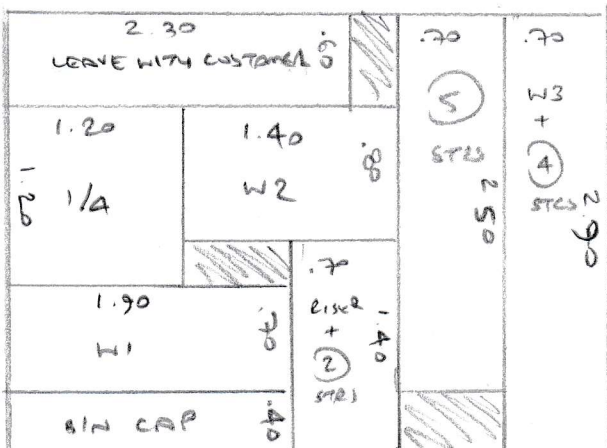


S30918  
JOHNSON

- ✓ RISER 20 82
  - ✓ 2e 43 82
  - ✓ W1 62 98
  - ✓ W2 72 120
  - ✓ W3 69 82
  - ✓ 9e 42 82
  - ✓ 1/4 105 108
  - ✓ B/N CAP 35 150
- \* DO NOT FIT B/N RISER\*
- NOO FLOOR
- NO VLO
- NEEDS S/E



SHAPE RUNNER LIKE THIS  
WITH A 11cm GAP AT SIDES



Plan 1) 3.50 x 4.00

14.00