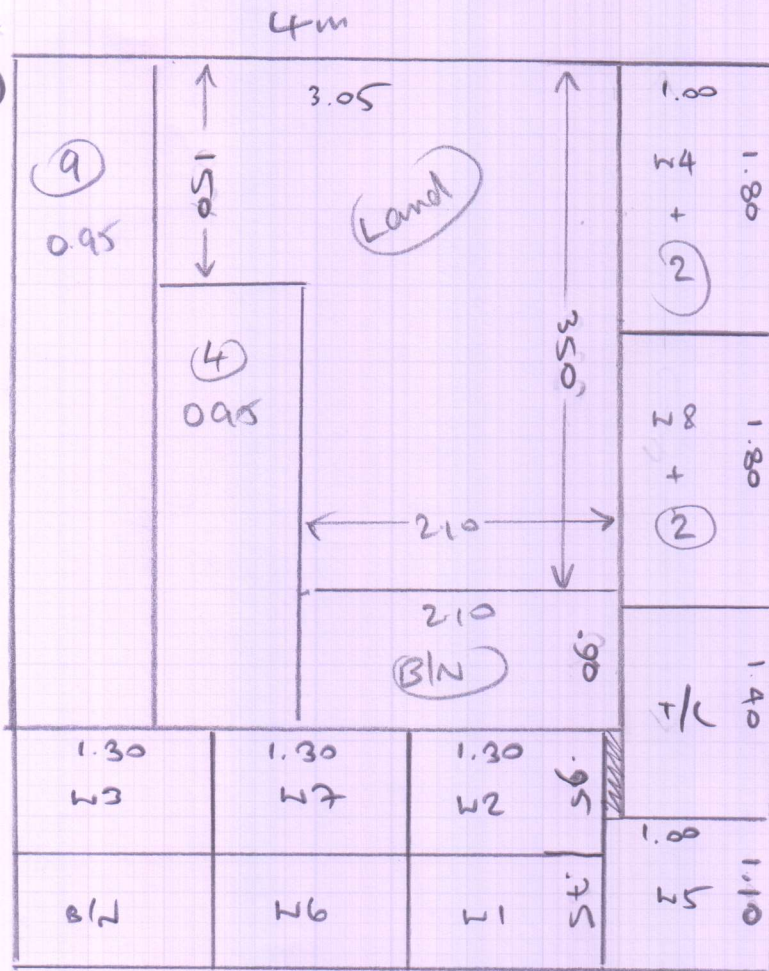


①



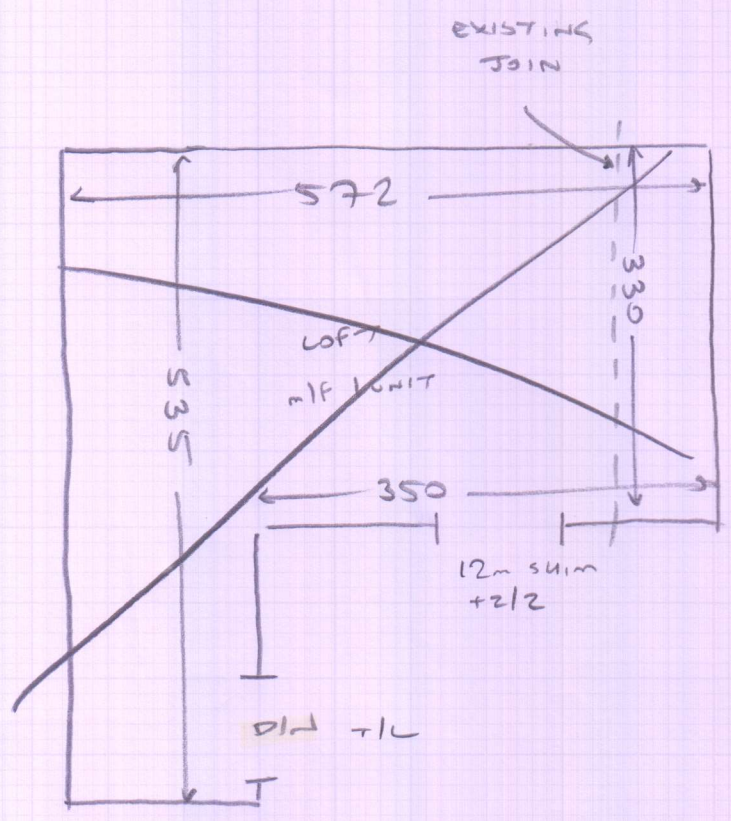
S 30949

Mrs J HOLMBORN
 107 RICH. PARK. RD
 SHEPP
 SWITZ 854

Sheet Windsor of 142

Plan ① 6.10 x 5~

1 of 3.



Job No: _____
 Name: _____
 Address: _____
 Tel: _____
 Sheet: _____ of _____

LOFT BOB

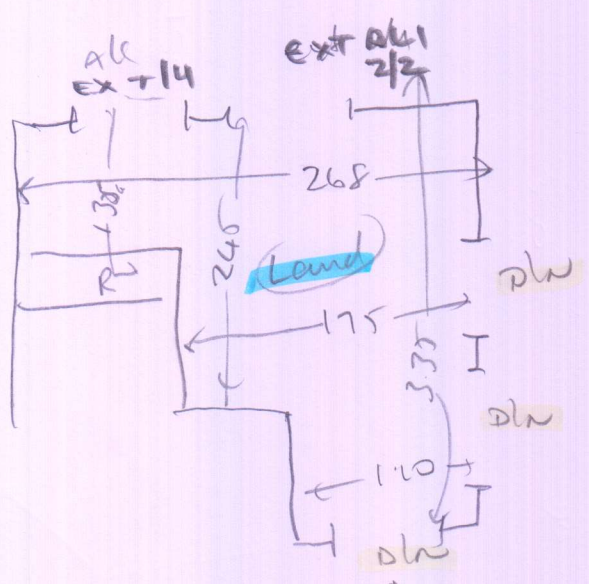
- wood floor
- v/a c/s
- ex s/c
- m/f 1 unit

✓ T/L	115	80
✓ W1	60	90
✓ W2	65	115
✓ W3	85	115
✓ W4	60	79
✓ 2e	47	79
✓ W5	58	90
✓ W6	65	115
✓ W7	82	115
✓ W8	60	80
✓ 2e	47	80
✓ b/n	50	100

(THERE IS A RIDGE IN THE FLOOR THAT CAN NOT BE RESOLVED BY US.)

LOFT STAIRS

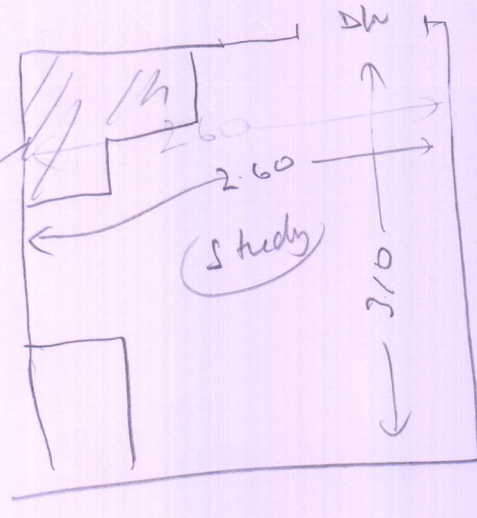
- wood floor
- v/a c/s
- ex s/c
- STAIRS ARE CREAKY @ PRESENT



wood
u/b
ext slc
↓

- 13 045 x 084
- Blw 080 x 1.75

Fit
around
this
r/c



wood
u/b
ext slc (15')
m/r (*)

~~cust has samples
until now~~

- ① u/stair
- ② u/c + studies

