

ADDENDUM  
MAY 17/7

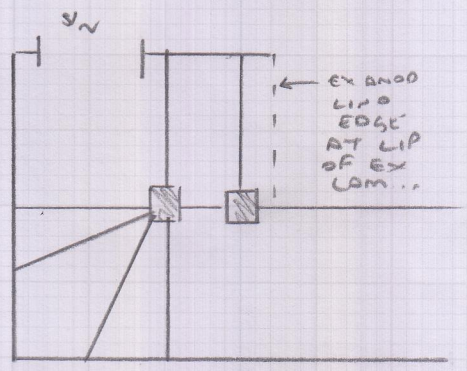
mrcarpet  
Flooring Ltd

Job No: S 31065  
 Name: GUY LEWIS  
 Address: \_\_\_\_\_  
 Sheet: \_\_\_\_\_ of \_\_\_\_\_

- ✓ Riser 35 81
- ✓ 1 e 45 81
- ✓ 1/4 120 77 (1x 2000 s/n)
- ✓ W1 60 80
- ✓ W2 70 100
- ✓ W3 61 71
- ✓ 10 e 46 71

(RE-USE EXISTING ANOD LINO EDGE AS WE WOULD NOT BE DIBLING FIT LIKE THIS)

(U) OF (U)



①

.90 W3 + ③	.90 ⑤ 2.50	.90 ③ 1.50 W1 1.8	1.30 1/4 1.30 W2 .80 RISER .40
---------------------	------------------	-------------------------------	--

Plan ① 2.50 x 4.0  
 10.0