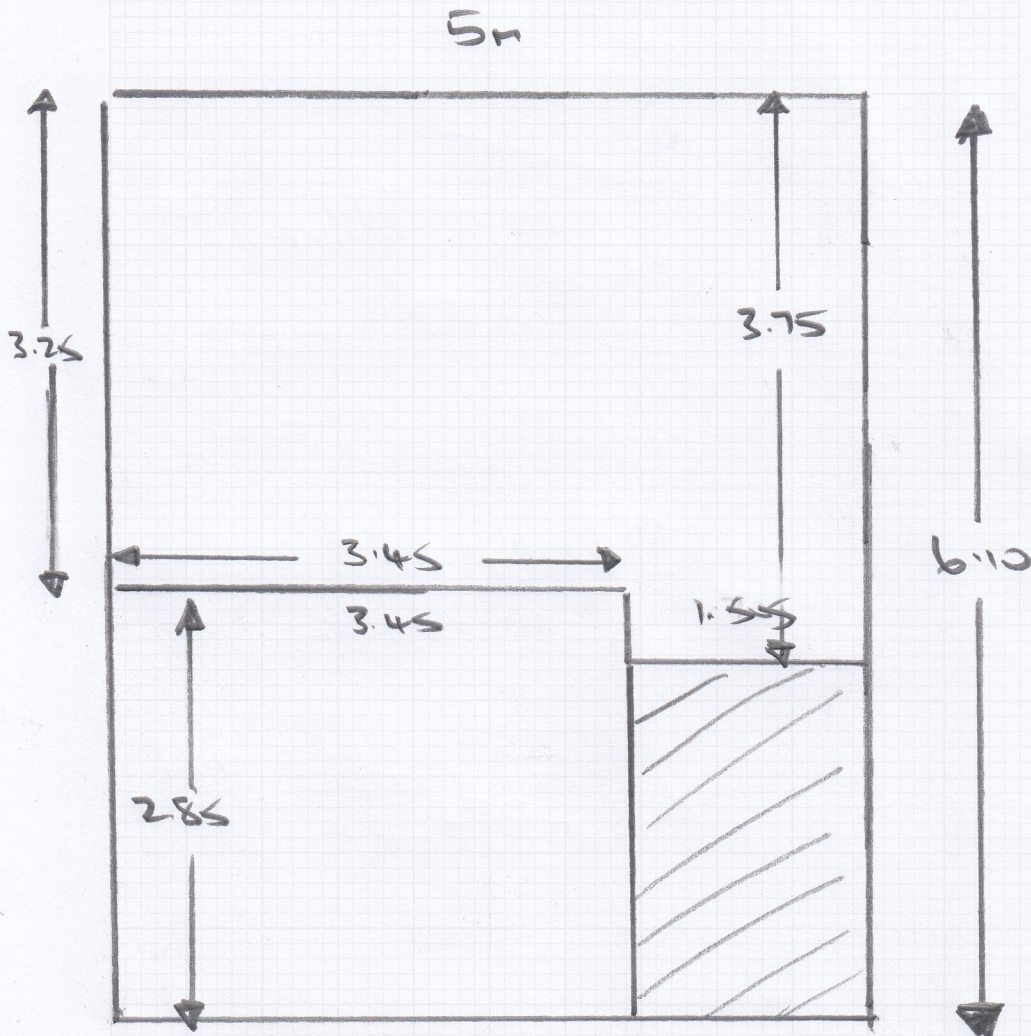


Two Bed Rooms



531453.
Name: HARVEY

Address:

Tel:

Sheet: (1) of (1)

APR 12
1st call

(3/12)

CPT ISSUED

6.10 x 5m

- ✓ NO LID -
- ✓ NEW SIE
- ✓ EXT D/BMS

ORDER S31453



mrcarpet

DESIGNS FOR FLOORS

www.mr-carpet.co.uk

299 Upper Richmond Road West

East Sheen | London | SW14 8QS

T 020 8876 9126

F 020 8878 2655

E sheenbranch@mr-carpet.co.uk

Mrs Fiona Harvey
16 York Avenue
East Sheen
LONDON
SW14 7LG

Delivery Address:

16 York Avenue
East Sheen
LONDON
SW14 7LG

Home:
Mobile: 07866-464454

Office:
Fax:

Customer's ref: None

Order Date: 26/11/2019

Order Confirmation

Subject to Terms And Conditions overleaf - please check all details and advise of any discrepancies immediately.

Two bedrooms

**To supply and fit Arabica 50% wool 50% synthetic composition colour Stone,
Homemaker Luxury PU foam underlay & Paper felt to be laid beneath,
Fitting to same by gripperods installation,
Existing door bars to remain
Move Furniture (not personal or breakable items),**

Please Note

Our fitters do not trim doors, therefore please ensure that all doors have sufficient clearance for your chosen carpet & underlay prior to the installation.

Fitting of Materials = 03-12-2019

Deposit Received £620.00 by Visa debit with thanks

Balance now due of £620.00 to be paid two working days before fitting as per our terms and conditions, either by visiting or phoning our Sheen branch

Net Order Value	1,033.33
VAT at 20%	206.67
Total Order Value	<u><u>£1,240.00</u></u>

Mr Carpet Limited
Registered in England No. 2195874
Allen House | 1 Westmead Road
Sutton | Surrey SM1 4LA
VAT Registration No. 503 1787 65