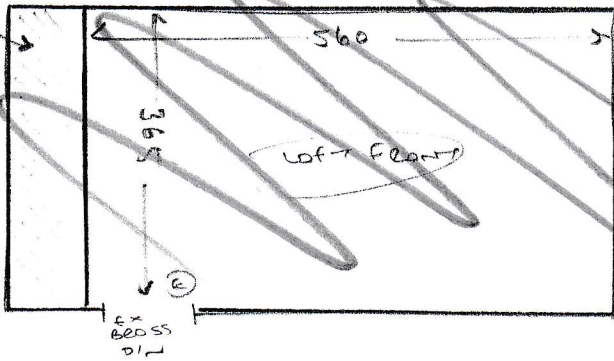


BUILT IN CURBS

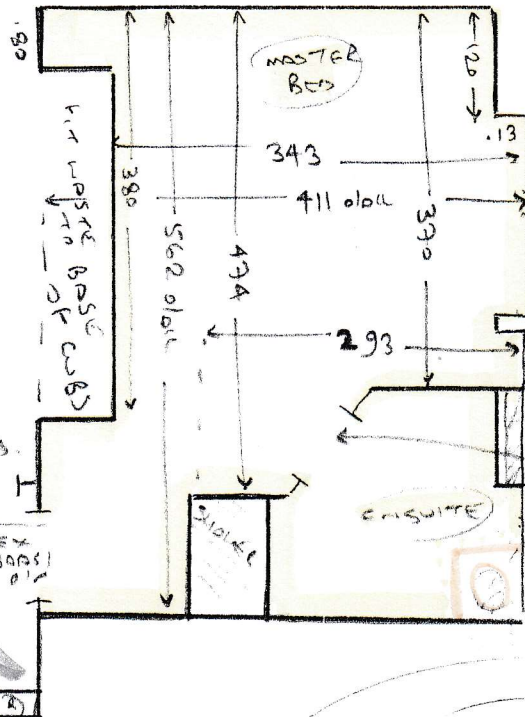
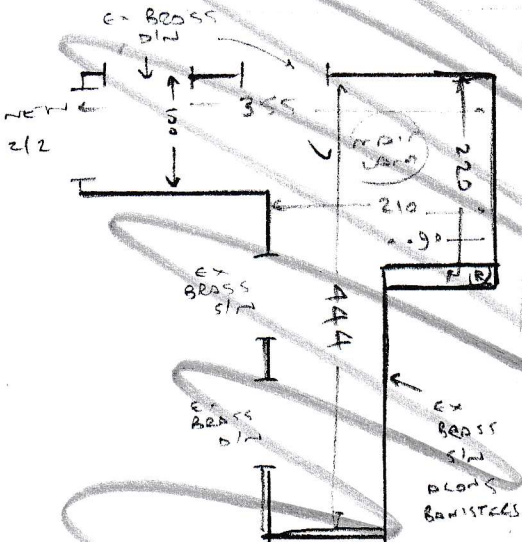
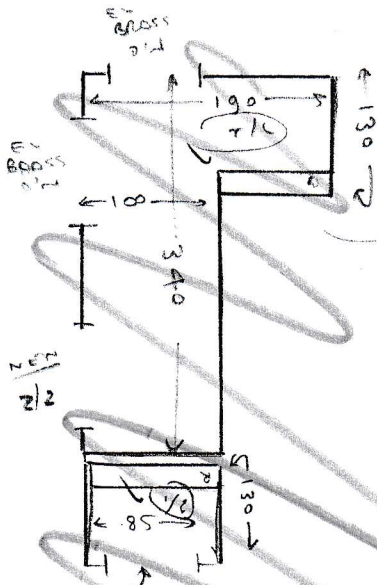
S31569
STANDARD



- wood floor
- w/o cpt
- ex s/e
- w/ 3 units (customer to clear)
- all boxes

top stairs

g e	44	75
w1	55	83
w2	60	105
w3	77	105



- wood floor
- w/o cpt
- ex s/e
- w/ 3 units

SLIGHT RIDGE HERE + DOOR ENBS EXISTING CPT THAT CUSTOMER IS AWARE OF.

main stairs

13 e	42	88
v B/L	42	105

1/2 e 45 110

