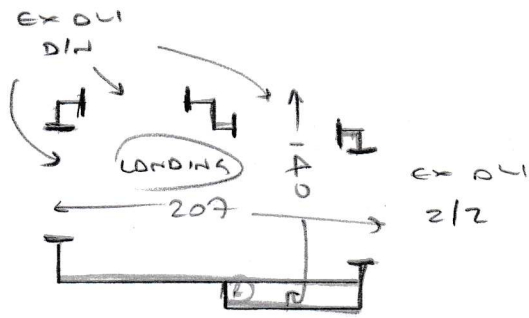


S31612
RAMINI



3 @ 43 85
 W1 69 110
 W2 75 123
 W3 72 84
 8 @ 43 84

- NOOO FLOORS
- NO CPT
- EX GRIPPER (NEW REQ... IT RUNNER)

①	2.15	1.50	.95	.95	.95	2.50
	LANDING		③	+ 23	⑤	
	1.50	1.60	1.00	③		
	W1	W2				

Plan ① 2.50 x 5m