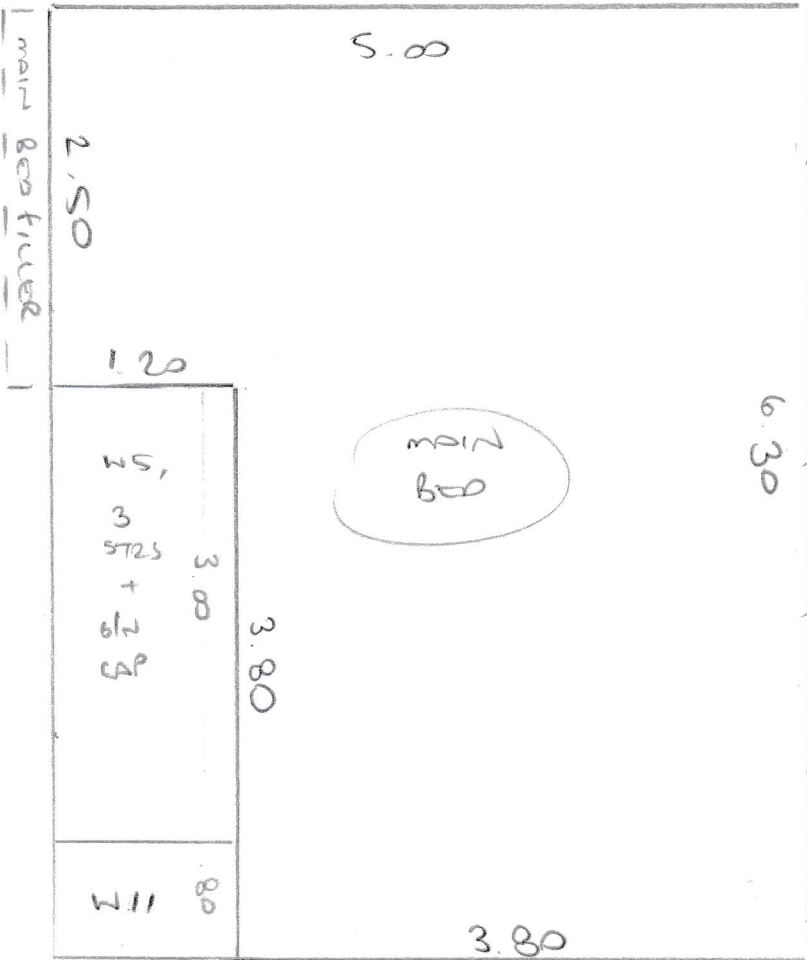


S31930  
CLEMENTS

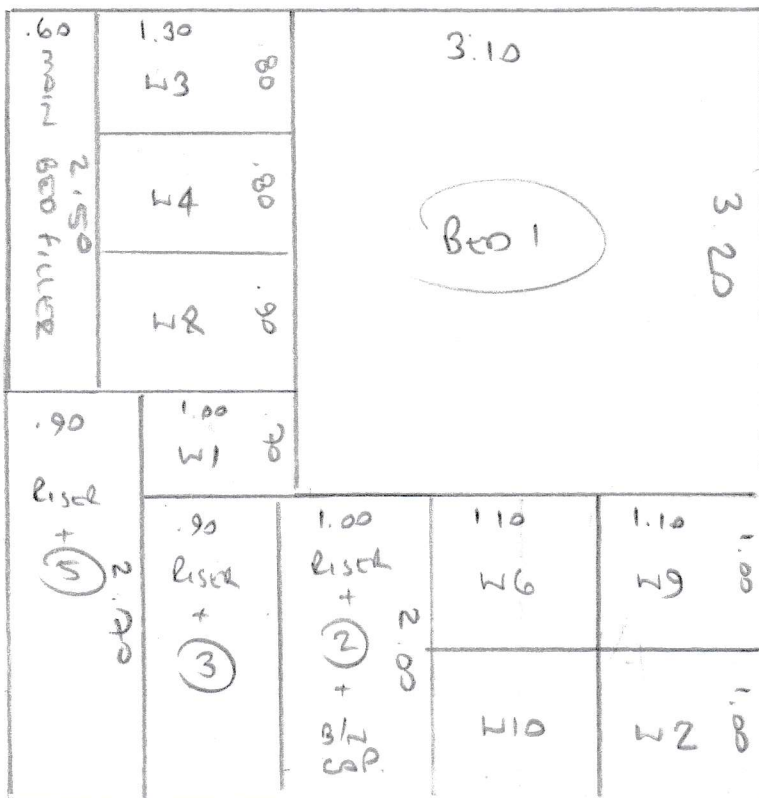


- Plan ①  $6.30 \times 5m$
- Plan ②  $5.20 \times 5m$
- Plan ③  $4.40 \times 5m$

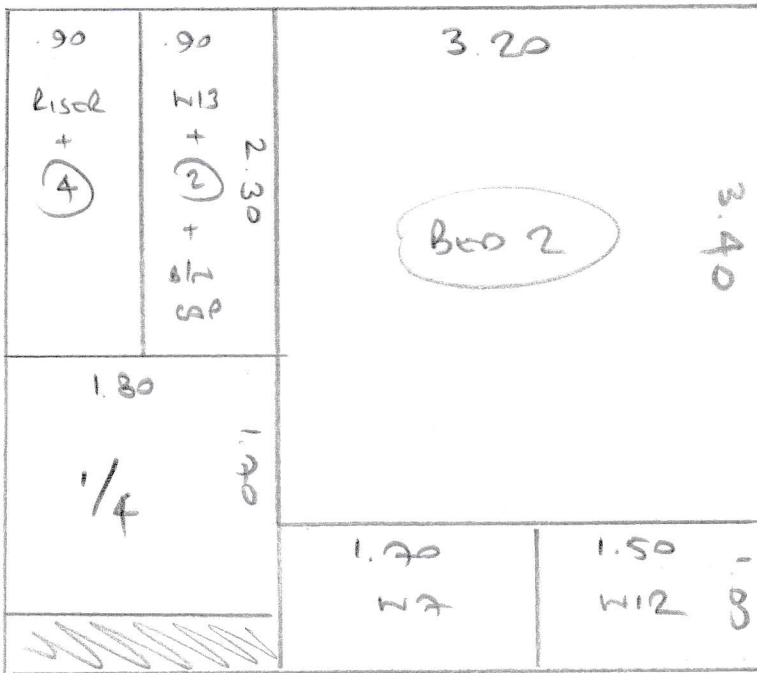
---

$15.90 \times 5m$

79.5 m<sup>2</sup>



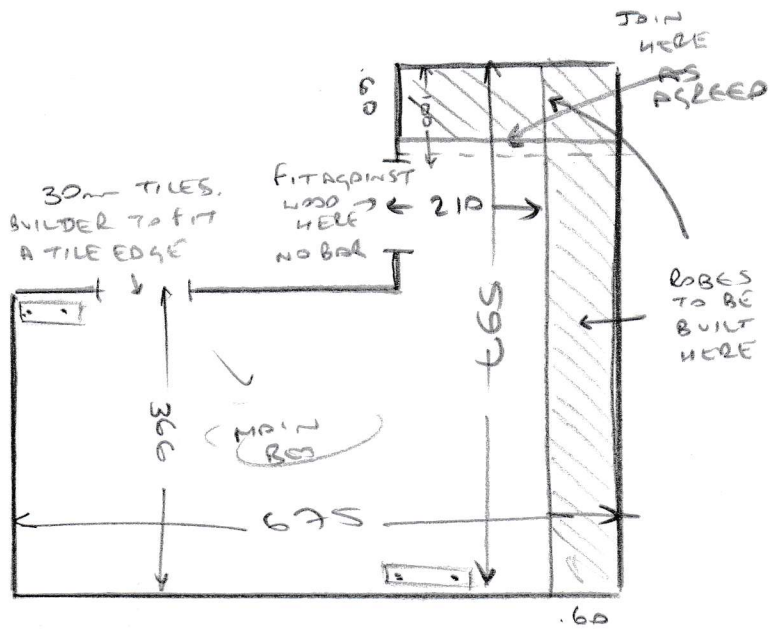
\* PLAN ONLY SUITABLE IF RUNNERS \*



S31830

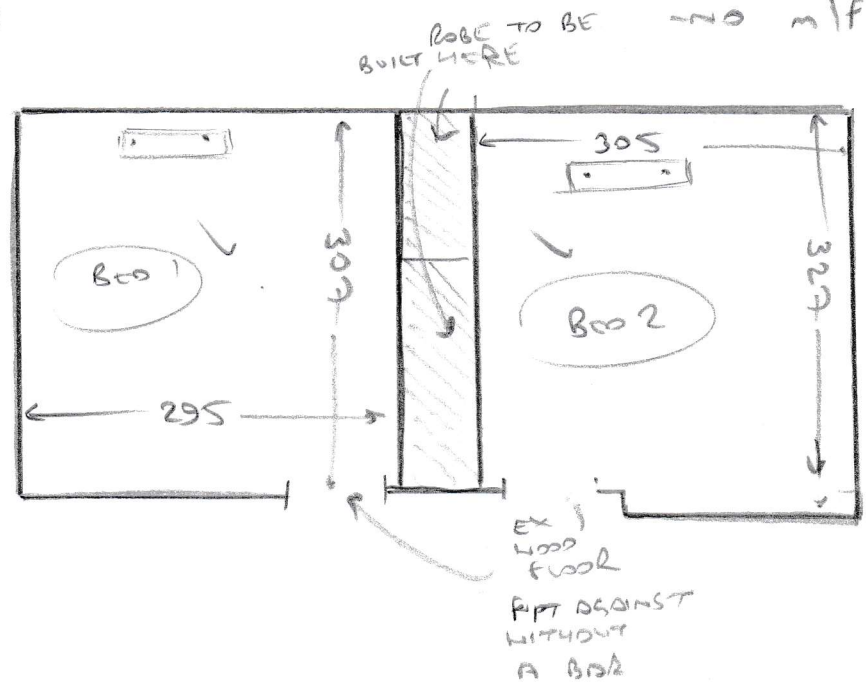
RUNNERS AND WINDERS TO HAVE  
A 12" THROUGHOUT.

S31830  
CLEMENTS



- WOOD FLOORS
- EX PUT DOWN
- NO UD
- NEEDS S/E
- NO mlf

THESE ARE  
CLAM FEET BRKS  
THAT WILL  
BE REMOVED



main STAIRS TO BED

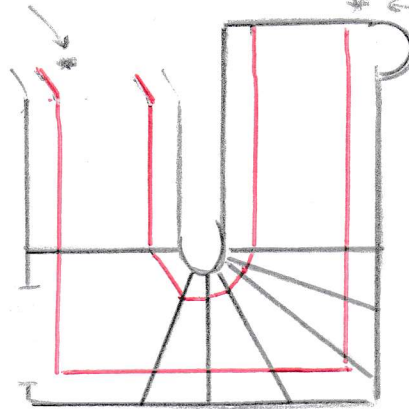
- ✓ Riser 20 85
- ✓ Se 43 85

CLEMENTS

MAIN STAIRS

- ✓ Riser 20 90
- ✓ 3 e 42 90
- ✓ 1/4 132 143
- ✓ W1 60 87
- ✓ W2 60 101
- ✓ W3 68 140
- ✓ W4 68 140
- ✓ W5 65 95
- ✓ 3 e 45 95
- ✓ B/W 45 142

UNDER LANDINGS



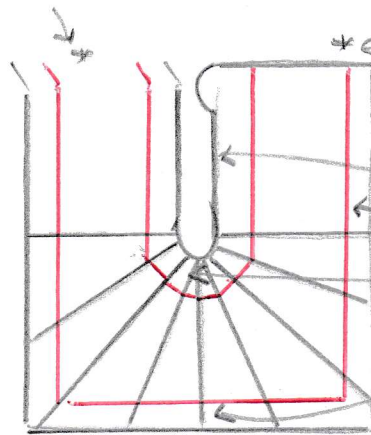
UNDER B/W

\* CUSTOMER INFORMED THAT BEDDING WILL NEED TO BE REMOVED HERE

BASEMENT STAIRS

- ✓ Riser 20 91
- ✓ 4 e 46 91
- ✓ W6 62 106
- ✓ W7 64 147
- ✓ W8 85 133
- ✓ W9 66 90
- ✓ W10 60 100
- ✓ W11 66 133
- ✓ W12 90 135
- ✓ W13 65 90
- ✓ 2 e 45 90
- ✓ B/W 46 133

UNDER HALL

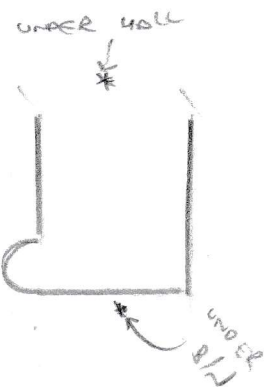


UNDER B/W

12cm GAP TO ALL SIDES OF STAIRS AND HANDERS THROUGHOUT

KITCHEN STEPS

- ✓ Riser 20 110
- ✓ 2 e 45 110
- ✓ B/W 80 150



# Whipping & Binding Workshop Instructions



To: **Kasias Carpets Ltd** 07825 156676

Branch: Sheen - Tel: 020 8876 9126 E:sheenbranch@mr-carpet.co.uk

Branch Contact: Andy

Customer Name: Clements **Please quote on invoice**

Job No: S31830 **Please quote on invoice**

Description of Carpet: Wool Loop

Carpet Finish: Whipping SIDES ONLY

Number of Pieces: should be 18. Confirm with Warehouse

Sizes to be cut to: (If fitter has already shaped on site applicable)

Runner Lengths for Taping: **Please check before sewing**

Date for collection: 07 October 2020 Required back by: 12 October 2020

Collection From: Warehouse Return To: Warehouse

If Tape Selected Supplied By Select Supplier (if Appli

Colour of tape: Size of Tape: Amount Visible on Top:

If Whipping:

Colour of Whipping: Matching

## Special Instructions

### Sewing charges authorised - Please note only charges authorised in writing will be paid on invoice

Materials	Description	Quantity	Unit Cost	Total
Whipping	Under 3m x 3m	52.00	£2.50	£130.00
	Over 3m x 3m		£2.50	
Standard Taping	Labour Only Under 3m x 3m		£6.30	
Double Taping	Labour Only Under 3m x 3m		£9.00	
Faux Suede & Leather	Labour Only Under 3m x 3m		£7.50	
Mitres Cotton	Per Corner	NOT APPLICABLE		
Mitres Leather	Per Corner	NOT APPLICABLE		
Narrow Binding <b>THICK PILES</b>	Labour & tape included		£7.50	
Blind Stitching MACHINE	38mm Tape Labour & Tape		£8.50	
Blind Stitching HAND SEWN	38mm Tape Labour & Tape		£12.50	
Hidden Stitching	<b>Additional cost per lin M to above prices</b>	NOT APPLICABLE		
	<b>(Enter the same quantity as tape quantity)</b>			

### Materials & other charges

Quantity	Description	Quantity	Unit Cost	
	Padding		£1.00	
	Chenille Tape 120mm		£4.20	
	Chrome Tape 120mm		£3.70	
	Cotton Tape 70mm		£3.20	
	Cotton Tape CK 120mm		£3.70	
	Cotton Herringbone HB 120mm		£4.20	
	Linen Twill Tape		£5.70	
	Faux Leather 120mm		£6.00	
	Faux Suede 120mm		£6.00	
	Goblin GLV 120mm		£4.50	
	Jute 120mm		£3.70	
	Leather 120mm		£13.00	
	Pipeline		£3.20	
	Starline (Linen) LS 120mm		£5.70	
	Superstrong 120mm		£5.70	
	Slim 120mm		£3.20	
	Teakline 120mm		£5.70	
			<b>Sub Total</b>	£130.00
			<b>VAT @ 20%</b>	£26.00
			<b>Total</b>	£156.00