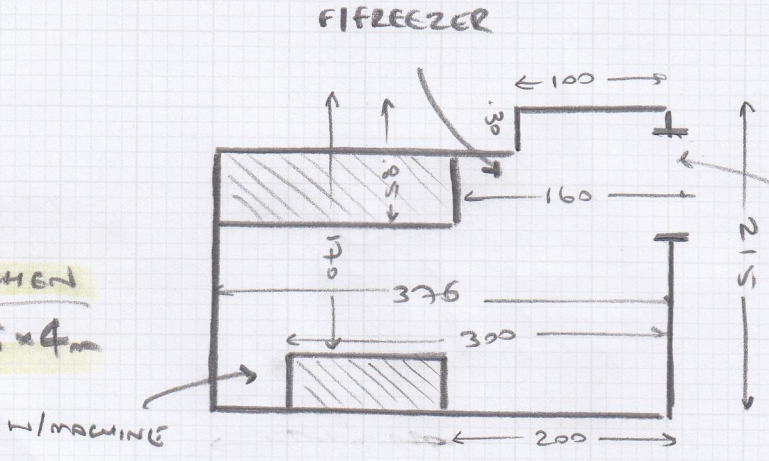


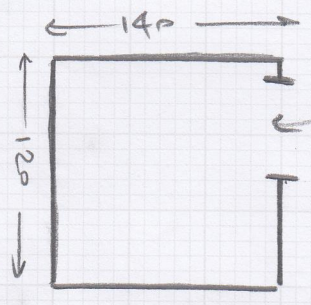
Job No: (S) 31881
Name: CRIGHTON
Address: KEN RD 14TH + THURISH ST
Tel:
Sheet: () OF ()

(2 VISITS ISSUED)

✓ KITCHEN
2.25 x 4m



✓ BATHROOM
1.30 x 2m



LAMINATE TO HQ

LOOK INTO ~~THE~~ OPTIONS AS LAMINATE IS 6mm THICK.

- BOTH AREAS
- ✓ - CONC FLOOR
 - ✓ - W/O LAMINATE
 - ✓ - NEEDS SCREED
 - ✓ - MOVE 2 x APPLIANCES