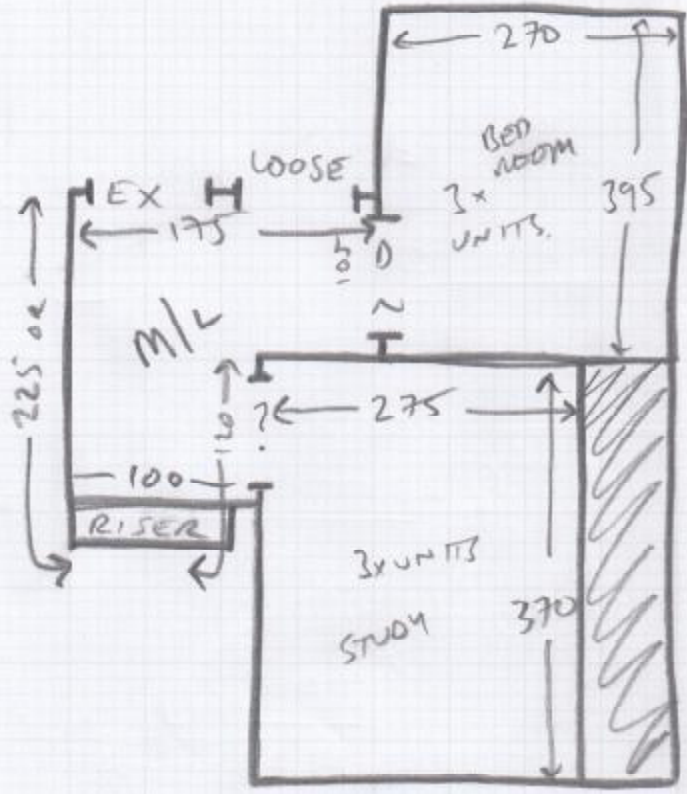


Layers
 very
 NET STRIP

32574
 SHELL

NO U/D (2 of 2)
 CHIPBOARD DOWN EVERY
 WHERE
 EXIST GRIPPER
 GOLD BARS.



$8 \times 57 \times 5 = 43 \times 85 -$

$W1 = 70 \times 102 -$

$W2 = 75 \times 122 -$

$W3 = 73 \times 83 -$

$B1 = 44 \times 110 -$

↓ TO GROUND FLOOR ↓

